


PCB TERMINAL BLOCKS

5mm Pitch Low Profile Screw Terminal Blocks

- 2 & 3 pole interlocking
- 4-12 pole solid block end stackable
- Test probe facility
- Moulded in grey UL94-V0 flame retardant PC
- Wire protector terminals
- 0.5-1.5mm² (30-14AWG) solid cable
- 0.5-1.0mm² (30-14AWG) stranded cable
- Guided pin alignment
- Anti solder wicking terminal
-  approved

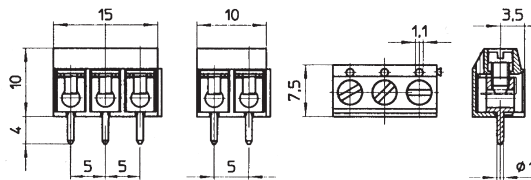
CTB5000




TYPE NO.	POLES	LENGTH
CTB5000/2	2	10mm
CTB5000/3	3	15mm
CTB5000/4	4	20mm
CTB5000/5	5	25mm
CTB5000/6	6	30mm
CTB5000/7	7	35mm
CTB5000/8	8	40mm
CTB5000/9	9	45mm
CTB5000/10	10	50mm
CTB5000/11	11	55mm
CTB5000/12	12	60mm

SPECIFICATION

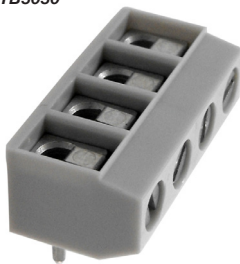
Rating	13.5A/250V UL=14A/300V, VDE&IMQ=13.5A/250V
Dielectric strength	≥2kV
Impulse withstand voltage	4kV
Working temperature	85°C
Moulding	UL94-V0 flame retardant PC
Pin/terminal	Tinned, nickel plated brass
Wire protector	Tin plated phosphor bronze
Screw/torque	M2.5 steel zinc plated, 0.4Nm
Recommended PCB hole size	ø1.1mm



5mm Pitch Low Profile 90° Screw Terminal Blocks

- 2 & 3 pole interlocking
- 4-12 pole solid block
- Test probe facility
- 90° Mounting
- Moulded in grey UL94-V0 flame retardant PC
- Wire protector terminals
- 0.5-1.5mm² (30-14AWG) solid cable
- 0.5-1.0mm² (30-14AWG) stranded cable
- Anti solder wicking terminal
- Guided pin alignment
-  approved

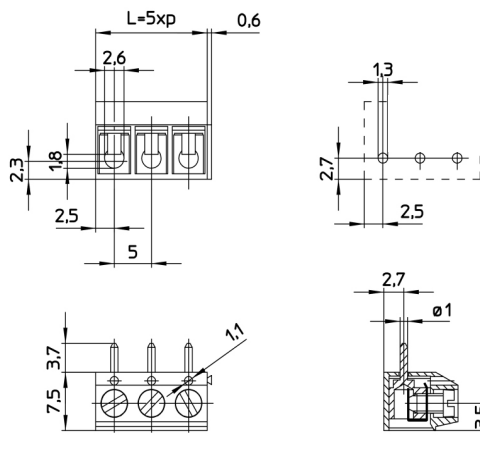
CTB5050



TYPE NO.	POLES	LENGTH
CTB5050/2	2	10mm
CTB5050/3	3	15mm
CTB5050/4	4	20mm
CTB5050/5	5	25mm
CTB5050/6	6	30mm
CTB5050/7	7	35mm
CTB5050/8	8	40mm
CTB5050/9	9	45mm
CTB5050/10	10	50mm
CTB5050/11	11	55mm
CTB5050/12	12	60mm

SPECIFICATION

Rating	13.5A/250V UL=14A/300V, VDE&IMQ=13.5A/250V
Dielectric strength	≥2kV
Impulse withstand voltage	4kV
Working temperature	85°C
Moulding	UL94-V0 flame retardant PC
Pin/terminal	Tinned, nickel plated brass
Wire protector	Tin plated phosphor bronze
Screw/torque	M2.5 steel zinc plated, 0.4Nm
Recommended PCB hole size	ø1.1mm



PCB
TERMINAL
BLOCKS

INTER-
CONNECTION

FUSES &
FUSE-
HOLDERS

LEDs &
INDICATORS

MINIATURE
SWITCHES

LIMIT &
SAFETY
SWITCHES

CONTROL
PRODUCTS

INTERFACE
MODULES &
SUPPORTS

RELAY
BASES

DIN RAIL
ENCLOSURES

BATTERIES

SOLAR
PANELS

TRANS-
FORMERS

X-ON Electronics

Largest Supplier of Electrical and Electronic Components

Click to view similar products for [camden manufacturer](#):

Other Similar products are found below :

[412689X](#) [CTBP92HE/10](#) [CTBP92VE/12R](#) [CTBP9350/12](#) [IND515205-240-T/GRN](#) [IND515205-240-T/RD](#) [IND5032405-240-T/GRN](#)
[CE10.00.EI](#) [C192SHAND](#) [RTM5006/16-PAT](#) [CNMB/6ST/2](#) [CNMB/4ST/2](#) [CSACST004](#) [CTBP9200/9](#) [CIME/M/BE2250SS](#) [CHH64E1BL](#)
[CIM/15W-DMFS](#) [CHHBAT2GY](#) [CFTBN/2](#) [CCB2S1/04](#) [CHDX6-222C](#) [CHDX8-224](#) [CHDASMP29](#) [CHDASMP34](#) [CHDX810DD](#)
[CHDX811DD](#) [CCTTM40LR](#) [CTBP92VJ/5S](#) [CTBP92VJ/8R](#) [CTSN431/12/M](#) [CTSN433/12/M](#) [CUABOX006](#) [IND513113-LED-RD](#)
[CE10.00.FM](#) [CBRPH-BLK](#) [RX2008/S-5-WH](#) [CBARD-CAR](#) [CRDCG0007](#) [CNMB/4/KIT](#) [CTB5050/5](#) [CTBP92HE/11](#) [CTBP9358/10AO](#)
[CHH66C2GY](#) [CHH456PBK](#) [CHH451ABK](#) [CIM/9W-DMFS](#) [CIM/25W-DMFS](#) [RTM5004/14-NC-BLK](#) [RTM5006/16-NC-BLK](#)
[IND5032405-125-T/AMB](#)