

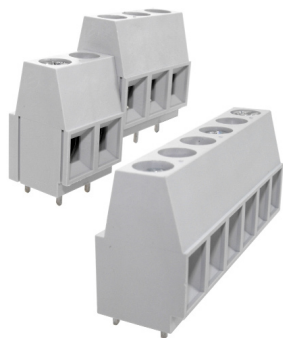
# PCB TERMINAL BLOCKS

## 10.16mm Pitch Very High Power Rising Clamp Terminal Block

- 2 & 3 pole double interlocking mechanism for increased strength
- 4 to 12 pole solid block
- Captive screws
- Moulded in grey UL94-V0 flame retardant PA
- Professional rising clamp terminals
- 0.5-16mm<sup>2</sup> (20-6AWG) solid cable
- 0.5-10mm<sup>2</sup> (20-6AWG) stranded cable



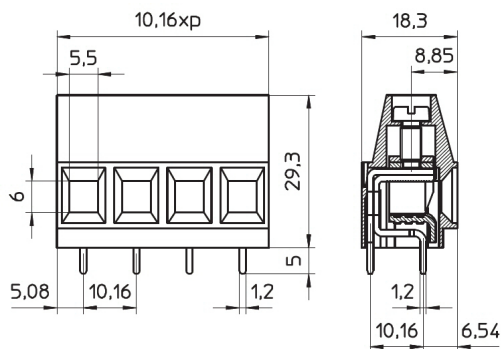
CTB77VP



TYPE NO.	POLES	LENGTH
CTB77VP/2	2	20.3mm
CTB77VP/3	3	30.5mm
CTB77VP/4	4	40.6mm
CTB77VP/5	5	51mm
CTB77VP/6	6	61mm
CTB77VP/7	7	71.1mm
CTB77VP/8	8	81.3mm
CTB77VP/9	9	91.4mm
CTB77VP/10	10	101.6mm
CTB77VP/11	11	111.8mm
CTB77VP/12	12	121.9mm

### SPECIFICATION

Rating	57A/630V UL=58A/300V, VDE&IMQ=57A/750V
Dielectric strength	≥3kV
Impulse withstand voltage	8kV
Working temperature	110°C
Moulding	UL94-V0 flame retardant Lexan
Pin/terminal	Tinned, nickel plated brass
Rising clamp	Zinc plated steel
Screw/torque	M2.5 steel zinc plated, 0.4Nm
Recommended PCB hole size	ø1.5mm



PCB  
TERMINAL  
BLOCKS

INTER-  
CONNECTION

FUSES &  
FUSE-  
HOLDERS

LEDs &  
INDICATORS

MINIATURE  
SWITCHES

LIMIT &  
SAFETY  
SWITCHES

CONTROL  
PRODUCTS

INTERFACE  
MODULES &  
SUPPORTS

RELAY  
BASES

ENCLOSURES

BATTERIES

TRANS-  
FORMERS

## X-ON Electronics

Largest Supplier of Electrical and Electronic Components

*Click to view similar products for [camden manufacturer](#):*

Other Similar products are found below :

[412689X](#) [CTBP92HE/10](#) [CTBP92VE/12R](#) [CTBP9350/12](#) [IND515205-240-T/GRN](#) [IND515205-240-T/RD](#) [IND5032405-240-T/GRN](#)  
[CE10.00.EI](#) [C192SHAND](#) [RTM5006/16-PAT](#) [CNMB/6ST/2](#) [CNMB/4ST/2](#) [CSACST004](#) [CTBP9200/9](#) [CIME/M/BE2250SS](#) [CHH64E1BL](#)  
[CIM/15W-DMFS](#) [CHHBAT2GY](#) [CFTBN/2](#) [CCB2S1/04](#) [CHDX6-222C](#) [CHDX8-224](#) [CHDASMP29](#) [CHDASMP34](#) [CHDX810DD](#)  
[CHDX811DD](#) [CCTTM40LR](#) [CTBP92VJ/5S](#) [CTBP92VJ/8R](#) [CTSN431/12/M](#) [CTSN433/12/M](#) [CUABOX006](#) [IND513113-LED-RD](#)  
[CE10.00.FM](#) [CBRPH-BLK](#) [RX2008/S-5-WH](#) [CBARD-CAR](#) [CRDCG0007](#) [CNMB/4/KIT](#) [CTB5050/5](#) [CTBP92HE/11](#) [CTBP9358/10AO](#)  
[CHH66C2GY](#) [CHH456PBK](#) [CHH451ABK](#) [CIM/9W-DMFS](#) [CIM/25W-DMFS](#) [RTM5004/14-NC-BLK](#) [RTM5006/16-NC-BLK](#)  
[IND5032405-125-T/AMB](#)