


PCB TERMINAL BLOCKS

5mm Pitch Pluggable Rising Clamp Terminal

- 2-24 pole solid block
- Pluggable male-female connectors
- Open & closed headers
- Horizontal & vertical female plug styles
- Polarised mouldings
- Moulded in green UL94-V0 flame retardant PA
- Professional rising clamp terminals
- 0.2-2.5mm² (30-12AWG) solid & stranded cable
- Anti solder wicking
- Captive screws
- Guided pin alignment
-  approved

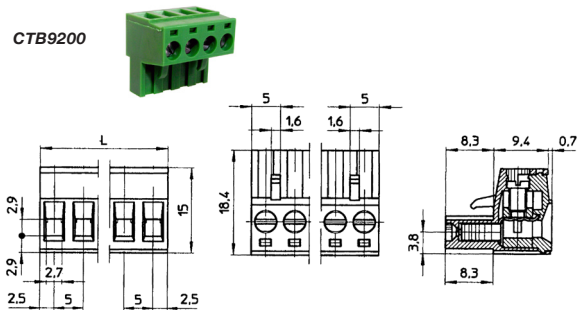
SPECIFICATION

Rating	12A/320V UL=12A/300V, VDE&IMQ=20A/320V
Dielectric strength	≥2.5kV
Impulse withstand voltage	4kV
Working temperature	100°C
Moulding	UL94-V0 flame retardant PA
Pin/terminal	Tinned phosphor bronze
Rising clamp	Nickel copper flash brass
Screw/torque	M3 steel zinc plated, 0.5Nm
Recommended PCB hole size	ø1.4mm

Female connector

TYPE NO.	POLES	LENGTH
CTB9200/2A	2	10mm
CTB9200/3A	3	15mm
CTB9200/4A	4	20mm
CTB9200/5A	5	25mm
CTB9200/6A	6	30mm
CTB9200/7A	7	35mm
CTB9200/8A	8	40mm
CTB9200/9A	9	45mm
CTB9200/10A	10	50mm
CTB9200/11A	11	55mm
CTB9200/12A	12	60mm
CTB9200/13A	13	65mm

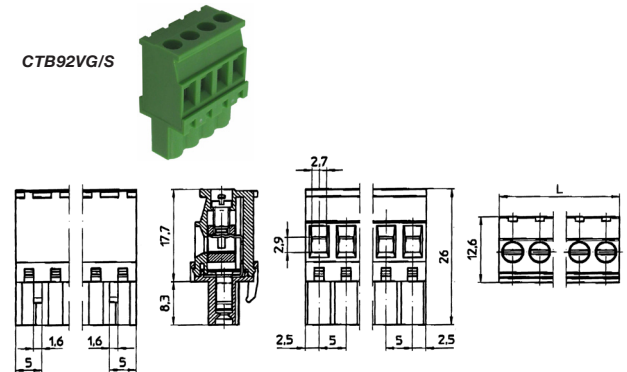
TYPE NO.	POLES	LENGTH
CTB9200/14A	14	70mm
CTB9200/15A	15	75mm
CTB9200/16A	16	80mm
CTB9200/17A	17	85mm
CTB9200/18A	18	90mm
CTB9200/19A	19	95mm
CTB9200/20A	20	100mm
CTB9200/21A	21	105mm
CTB9200/22A	22	110mm
CTB9200/23A	23	115mm
CTB9200/24A	24	120mm



Female connector vertical (standard)

TYPE NO.	POLES	LENGTH
CTB92VG/2S	2	10mm
CTB92VG/3S	3	15mm
CTB92VG/4S	4	20mm
CTB92VG/5S	5	25mm
CTB92VG/6S	6	30mm
CTB92VG/7S	7	35mm
CTB92VG/8S	8	40mm
CTB92VG/9S	9	45mm
CTB92VG/10S	10	50mm
CTB92VG/11S	11	55mm
CTB92VG/12S	12	60mm
CTB92VG/13S	13	65mm

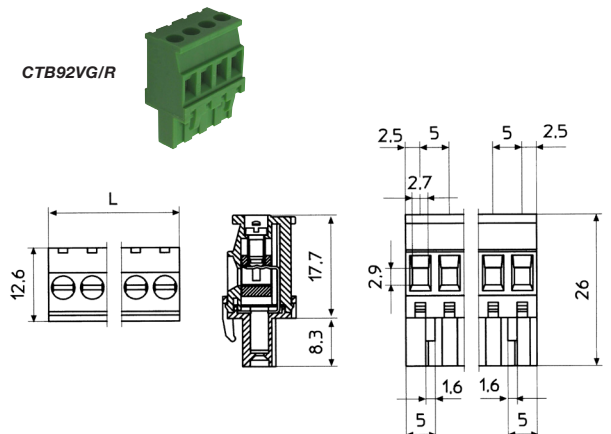
TYPE NO.	POLES	LENGTH
CTB92VG/14S	14	70mm
CTB92VG/15S	15	75mm
CTB92VG/16S	16	80mm
CTB92VG/17S	17	85mm
CTB92VG/18S	18	90mm
CTB92VG/19S	19	95mm
CTB92VG/20S	20	100mm
CTB92VG/21S	21	105mm
CTB92VG/22S	22	110mm
CTB92VG/23S	23	115mm
CTB92VG/24S	24	120mm



Female connector vertical (reversed)

TYPE NO.	POLES	LENGTH
CTB92VG/2R	2	10mm
CTB92VG/3R	3	15mm
CTB92VG/4R	4	20mm
CTB92VG/5R	5	25mm
CTB92VG/6R	6	30mm
CTB92VG/7R	7	35mm
CTB92VG/8R	8	40mm
CTB92VG/9R	9	45mm
CTB92VG/10R	10	50mm
CTB92VG/11R	11	55mm
CTB92VG/12R	12	60mm
CTB92VG/13R	13	65mm

TYPE NO.	POLES	LENGTH
CTB92VG/14R	14	70mm
CTB92VG/15R	15	75mm
CTB92VG/16R	16	80mm
CTB92VG/17R	17	85mm
CTB92VG/18R	18	90mm
CTB92VG/19R	19	95mm
CTB92VG/20R	20	100mm
CTB92VG/21R	21	105mm
CTB92VG/22R	22	110mm
CTB92VG/23R	23	115mm
CTB92VG/24R	24	120mm

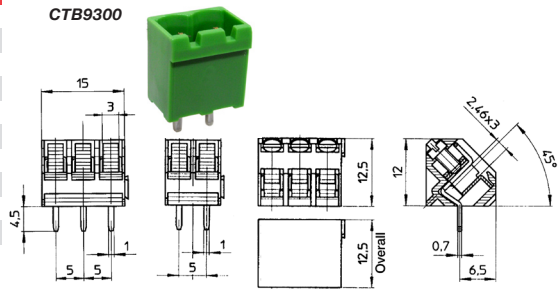


PCB TERMINAL BLOCKS

PCB mounting male vertical (closed ended)

TYPE NO.	POLES	LENGTH
CTB9300/2A	2	11.2mm
CTB9300/3A	3	16.2mm
CTB9300/4A	4	21.2mm
CTB9300/5A	5	26.2mm
CTB9300/6A	6	31.2mm
CTB9300/7A	7	36.2mm
CTB9300/8A	8	41.2mm
CTB9300/9A	9	46.2mm
CTB9300/10A	10	51.2mm
CTB9300/11A	11	56.2
CTB9300/12A	12	61.2mm
CTB9300/13A	13	66.2mm

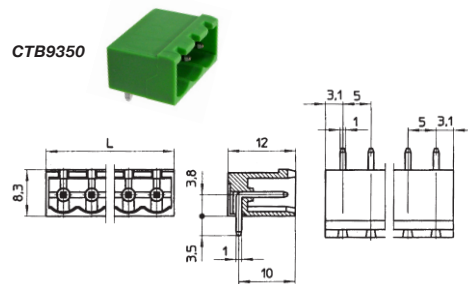
TYPE NO.	POLES	LENGTH
CTB9300/14A	14	71.2mm
CTB9300/15A	15	76.2mm
CTB9300/16A	16	81.2mm
CTB9300/17A	17	86.2mm
CTB9300/18A	18	91.2mm
CTB9300/19A	19	96.2mm
CTB9300/20A	20	101.2mm
CTB9300/21A	21	106.2mm
CTB9300/22A	22	111.2mm
CTB9300/23A	23	116.2mm
CTB9300/24A	24	121.2mm



PCB mounting male horizontal (closed ended)

TYPE NO.	POLES	LENGTH
CTB9350/2A	2	11.2mm
CTB9350/3A	3	16.2mm
CTB9350/4A	4	21.2mm
CTB9350/5A	5	26.2mm
CTB9350/6A	6	31.2mm
CTB9350/7A	7	36.2mm
CTB9350/8A	8	41.2mm
CTB9350/9A	9	46.2mm
CTB9350/10A	10	51.2mm
CTB9350/11A	11	56.2
CTB9350/12A	12	61.2mm
CTB9350/13A	13	66.2mm

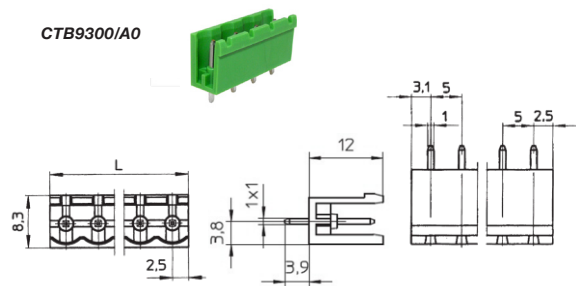
TYPE NO.	POLES	LENGTH
CTB9350/14A	14	71.2mm
CTB9350/15A	15	76.2mm
CTB9350/16A	16	81.2mm
CTB9350/17A	17	86.2mm
CTB9350/18A	18	91.2mm
CTB9350/19A	19	96.2mm
CTB9350/20A	20	101.2mm
CTB9350/21A	21	106.2mm
CTB9350/22A	22	111.2mm
CTB9350/23A	23	116.2mm
CTB9350/24A	24	121.2mm



PCB mounting male vertical (open ended)

TYPE NO.	POLES	LENGTH
CTB9300/2AO	2	10mm
CTB9300/3AO	3	15mm
CTB9300/4AO	4	20mm
CTB9300/5AO	5	25mm
CTB9300/6AO	6	30mm
CTB9300/7AO	7	35mm
CTB9300/8AO	8	40mm
CTB9300/9AO	9	45mm
CTB9300/10AO	10	50mm
CTB9300/11AO	11	55mm
CTB9300/12AO	12	60mm
CTB9300/13AO	13	65mm

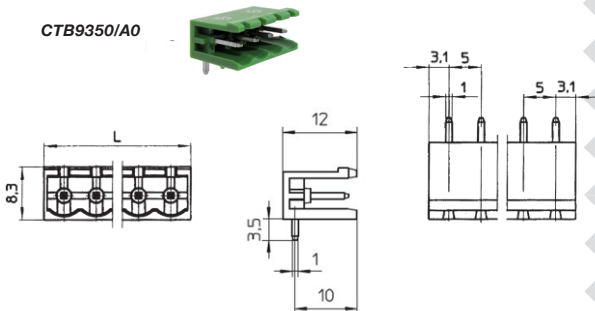
TYPE NO.	POLES	LENGTH
CTB9300/14AO	14	70mm
CTB9300/15AO	15	75mm
CTB9300/16AO	16	80mm
CTB9300/17AO	17	85mm
CTB9300/18AO	18	90mm
CTB9300/19AO	19	95mm
CTB9300/20AO	20	100mm
CTB9300/21AO	21	105mm
CTB9300/22AO	22	110mm
CTB9300/23AO	23	115mm
CTB9300/24AO	24	120mm



PCB mounting male horizontal (open ended)

TYPE NO.	POLES	LENGTH
CTB9350/2AO	2	10mm
CTB9350/3AO	3	15mm
CTB9350/4AO	4	20mm
CTB9350/5AO	5	25mm
CTB9350/6AO	6	30mm
CTB9350/7AO	7	35mm
CTB9350/8AO	8	40mm
CTB9350/9AO	9	45mm
CTB9350/10AO	10	50mm
CTB9350/11AO	11	55mm
CTB9350/12AO	12	60mm
CTB9350/13AO	13	65mm

TYPE NO.	POLES	LENGTH
CTB9350/14AO	14	70mm
CTB9350/15AO	15	75mm
CTB9350/16AO	16	80mm
CTB9350/17AO	17	85mm
CTB9350/18AO	18	90mm
CTB9350/19AO	19	95mm
CTB9350/20AO	20	100mm
CTB9350/21AO	21	105mm
CTB9350/22AO	22	110mm
CTB9350/23AO	23	115mm
CTB9350/24AO	24	120mm



PCB
TERMINAL
BLOCKS

INTER-
CONNECTION

FUSES &
FUSE-
HOLDERS

LEDs &
INDICATORS

MINIATURE
SWITCHES

LIMIT &
SAFETY
SWITCHES

CONTROL
PRODUCTS

INTERFACE
MODULES &
SUPPORTS

RELAY
BASES

ENCLOSURES

BATTERIES

TRANS-
FORMERS

X-ON Electronics

Largest Supplier of Electrical and Electronic Components

Click to view similar products for [camden manufacturer](#):

Other Similar products are found below :

[412689X](#) [CTBP92VE/12R](#) [CTBP9350/12](#) [IND515205-240-T/GRN](#) [IND515205-240-T/RD](#) [IND5032405-240-T/GRN](#) [CE10.00.EI](#)
[C192SHAND](#) [CNMB/6ST/2](#) [CNMB/4ST/2](#) [CSACST004](#) [CTBP9200/9](#) [CIME/M/BE2250SS](#) [CHH64E1BL](#) [CIM/15W-DMFS](#) [CHHBAT2GY](#)
[CFTBN/2](#) [CCB2S1/04](#) [CHDX6-221C](#) [CHDX8-224](#) [CHDASMP29](#) [CHDASMP30](#) [CHDASMP34](#) [CHDX810DD](#) [CHDX811DD](#)
[CCTTM40LR](#) [CTBP92VJ/5S](#) [CTBP92VJ/8R](#) [CTSN431/12/M](#) [CTSN433/12/M](#) [CUABOX006](#) [CE10.00.FM](#) [CBRPH-BLK](#) [BIM2003/13-](#)
[WH/WH](#) [RX2008/S-5-WH](#) [CBARD-CAR](#) [CRDCG0007](#) [CNMB/4/KIT](#) [CTB5050/5](#) [CTBP92HE/11](#) [CTBP9358/10AO](#) [CHH66C2GY](#)
[CHH456PBK](#) [CHH451ABK](#) [CIM/9W-DMFS](#) [CIM/25W-DMFS](#) [RTM5006/16-NC-BLK](#) [IND5032405-125-T/AMB](#) [CCB1S1/03](#) [CCD2S1/04](#)