


# PCB TERMINAL BLOCKS

## 5.08mm Pitch Pluggable Rising Clamp Terminal

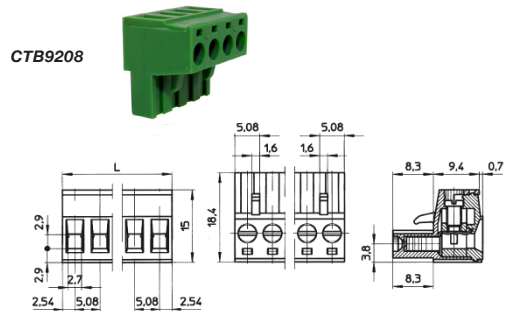
- 2-24 pole solid block
- Pluggable male-female connectors
- Open & closed headers
- Horizontal & vertical female plug styles
- Polarised mouldings
- Moulded in green UL94-V0 flame retardant PA
- Professional rising clamp terminals
- 0.2-2.5mm<sup>2</sup> (30-12AWG) solid & stranded cable
- Anti solder wicking
- Captive screws
- Guided pin alignment
-  approved

### SPECIFICATION

Rating	12A/320V UL=12A/300V, VDE&IMQ=20A/320V
Dielectric strength	≥2.5kV
Impulse withstand voltage	4kV
Working temperature	110°C
Moulding	UL94-V0 flame retardant PA
Pin/terminal	Tinned brass
Rising clamp	Nickel copper flash brass
Screw/torque	M3 steel zinc plated, 0.5Nm
Recommended PCB hole size	ø1.4mm

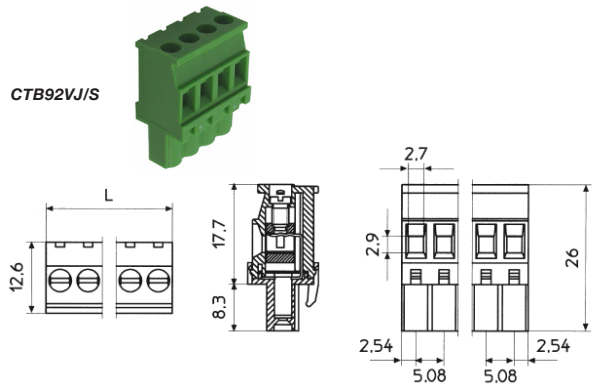
### Female connector

TYPE NO.	POLES	LENGTH	TYPE NO.	POLES	LENGTH
CTB9208/2	2	10.2mm	CTB9208/14	14	71.1mm
CTB9208/3	3	15.2mm	CTB9208/15	15	76.2mm
CTB9208/4	4	20.3mm	CTB9208/16	16	81.3mm
CTB9208/5	5	25.4mm	CTB9208/17	17	86.4mm
CTB9208/6	6	30.5mm	CTB9208/18	18	91.4mm
CTB9208/7	7	35.6mm	CTB9208/19	19	96.5mm
CTB9208/8	8	40.6mm	CTB9208/20	20	101.6mm
CTB9208/9	9	45.7mm	CTB9208/21	21	106.7mm
CTB9208/10	10	50.8mm	CTB9208/22	22	111.8mm
CTB9208/11	11	55.9mm	CTB9208/23	23	116.8mm
CTB9208/12	12	61mm	CTB9208/24	24	121.9mm
CTB9208/13	13	66mm			



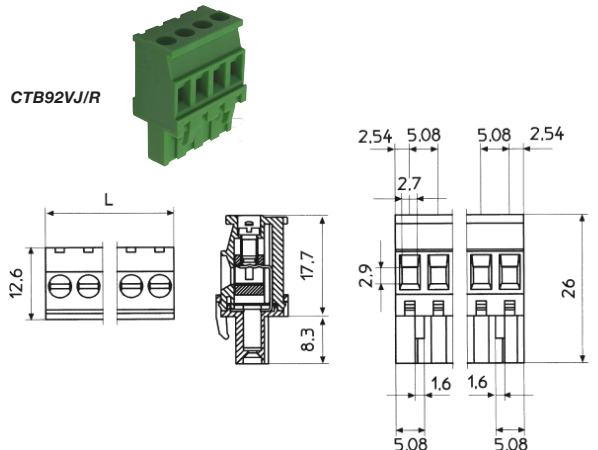
### Female connector vertical (standard)

TYPE NO.	POLES	LENGTH	TYPE NO.	POLES	LENGTH
CTB92VJ/2S	2	10.2mm	CTB92VJ/14S	14	71.1mm
CTB92VJ/3S	3	15.2mm	CTB92VJ/15S	15	76.2mm
CTB92VJ/4S	4	20.3mm	CTB92VJ/16S	16	81.3mm
CTB92VJ/5S	5	25.4mm	CTB92VJ/17S	17	86.4mm
CTB92VJ/6S	6	30.5mm	CTB92VJ/18S	18	91.4mm
CTB92VJ/7S	7	35.6mm	CTB92VJ/19S	19	96.5mm
CTB92VJ/8S	8	40.6mm	CTB92VJ/20S	20	101.6mm
CTB92VJ/9S	9	45.7mm	CTB92VJ/21S	21	106.7mm
CTB92VJ/10S	10	50.8mm	CTB92VJ/22S	22	111.8mm
CTB92VJ/11S	11	55.9mm	CTB92VJ/23S	23	116.8mm
CTB92VJ/12S	12	61mm	CTB92VJ/24S	24	121.9mm
CTB92VJ/13S	13	66mm			



### Female connector vertical (reversed)

TYPE NO.	POLES	LENGTH	TYPE NO.	POLES	LENGTH
CTB92VJ/2R	2	10.2mm	CTB92VJ/14R	14	71.1mm
CTB92VJ/3R	3	15.2mm	CTB92VJ/15R	15	76.2mm
CTB92VJ/4R	4	20.3mm	CTB92VJ/16R	16	81.3mm
CTB92VJ/5R	5	25.4mm	CTB92VJ/17R	17	86.4mm
CTB92VJ/6R	6	30.5mm	CTB92VJ/18R	18	91.4mm
CTB92VJ/7R	7	35.6mm	CTB92VJ/19R	19	96.5mm
CTB92VJ/8R	8	40.6mm	CTB92VJ/20R	20	101.6mm
CTB92VJ/9R	9	45.7mm	CTB92VJ/21R	21	106.7mm
CTB92VJ/10R	10	50.8mm	CTB92VJ/22R	22	111.8mm
CTB92VJ/11R	11	55.9mm	CTB92VJ/23R	23	116.8mm
CTB92VJ/12R	12	61mm	CTB92VJ/24R	24	121.9mm
CTB92VJ/13R	13	66mm			



## X-ON Electronics

Largest Supplier of Electrical and Electronic Components

*Click to view similar products for [camden manufacturer](#):*

Other Similar products are found below :

[412689X](#) [CTBP92VE/12R](#) [CTBP9350/12](#) [IND515205-240-T/GRN](#) [IND515205-240-T/RD](#) [IND5032405-240-T/GRN](#) [CE10.00.EI](#)  
[C192SHAND](#) [CNMB/6ST/2](#) [CNMB/4ST/2](#) [CSACST004](#) [CTBP9200/9](#) [CIME/M/BE2250SS](#) [CHH64E1BL](#) [CIM/15W-DMFS](#) [CHHBAT2GY](#)  
[CFTBN/2](#) [CCB2S1/04](#) [CHDX6-221C](#) [CHDX8-224](#) [CHDASMP29](#) [CHDASMP34](#) [CHDX810DD](#) [CHDX811DD](#) [CCTTM40LR](#)  
[CTBP92VJ/5S](#) [CTBP92VJ/8R](#) [CTSN431/12/M](#) [CTSN433/12/M](#) [CUABOX006](#) [CE10.00.FM](#) [CBRPH-BLK](#) [BIM2003/13-WH/WH](#)  
[RX2008/S-5-WH](#) [CBARD-CAR](#) [CRDCG0007](#) [CNMB/4/KIT](#) [CTB5050/5](#) [CTBP92HE/11](#) [CTBP9358/10AO](#) [CHH66C2GY](#) [CHH456PBK](#)  
[CHH451ABK](#) [CIM/9W-DMFS](#) [CIM/25W-DMFS](#) [RTM5006/16-NC-BLK](#) [IND5032405-125-T/AMB](#) [CCB1S1/03](#) [CCD2S1/04](#) [CCE1S1/05](#)