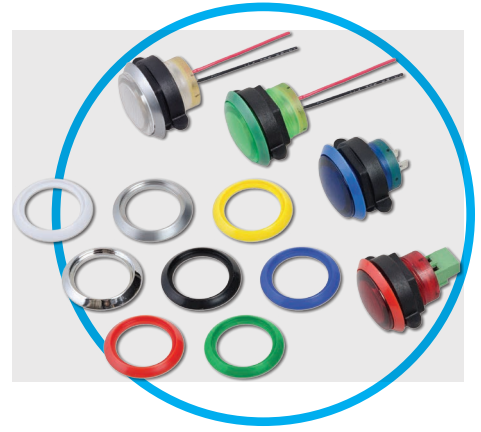




22mm TuffLED™ Panel Mount Indicator



Ruggedized CNX 722 Series with built-in LED offers fast, easy installation in harsh environments

Applications

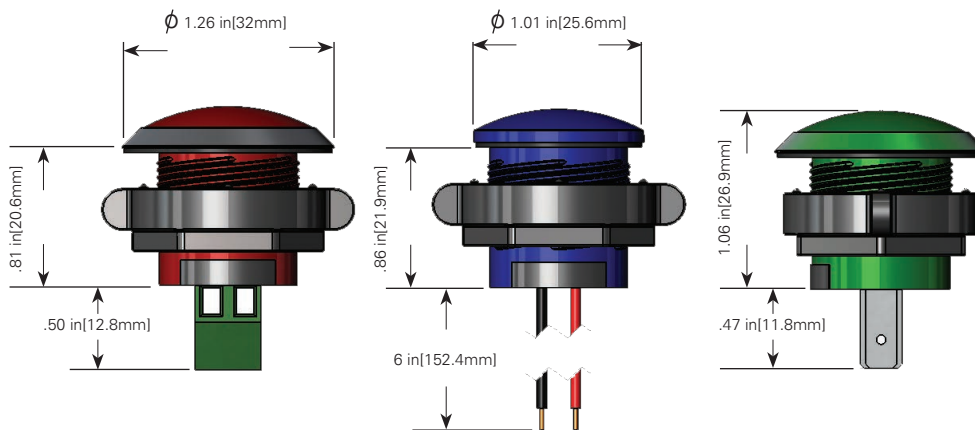
- control cabinets
- instrument panels
- disinfection and sterilization environments
- transportation dashboards
- switch stations
- safety applications
- outdoor signage
- aircraft and military
- industrial machinery
- vending and gaming machines

Key features

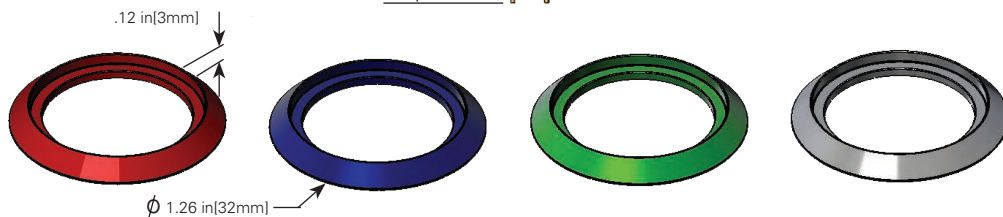
- designed for extreme harsh and outdoor environments
- variety of connection options for fast, easy installation
- built-in LED can be used with 5, 12 or 24 volt D/C circuits
- fast pitch threads ease assembly, requiring only 1 turn
- special nut assembles by finger, or with 1" hextool
- direct sunlight visibility
- wide angle viewable
- resistant to shock and vibration
- custom LEDs and lens colors available
- optional bezel available in many colors
- moisture sealed, IP 67/NEMA 6P rated
- RoHS compliant

Product dimensions

Indicator Assemblies



Bezels



Product specifications

LED output	
LED color**	typ intensity, mcd
red	1300-1900
green	700-1400
white	1300-1700
blue	200-280
yellow	80-200

Materials	
body	polycarbonate, UL 94-V2
retaining nut	PBT/glass filled, UL 94-V0
wire	22 AWG 1007/1569
moisture seal	EPDM
bezel- plastic	ABS, UL 94-HB
bezel- metal	aluminum alloy

Installation specification	
mounting hole	.855-.910" (21.7-23.1mm)
panel thickness	Up to .300" (7.6mm)

Operating parameters	
operating temperature	-40°F (-40°C) to 176°F (80°C)
current	20mA

Ordering data

CNX 722 22mm indicator
ordering code (example)

CNX 722 X X00 XX X

Body Type	
X=	material
C	colored*
N	clear

LED Color	
X00=	color
200	red
400	yellow
500	green
600	blue
900	white

Voltage	
XX=	input voltage
05	5VDC
12	12VDC
24	24VDC

Termination Style	
X=	termination style
B	screw block
T	quick disconnect/ terminals
W	wire leads

*Body color to match
LED color

Bezel Color	
X=	color
0	black
2	red
4	yellow
5	green
6	blue
9	white
A	actual aluminum
B	brushed aluminum
C	chrome

***Optional bezel: BZL 722-X**

Bezel size = 22mm

*Sold Separately

X-ON Electronics

Largest Supplier of Electrical and Electronic Components

Click to view similar products for [LED Panel Mount Indicators](#) category:

Click to view products by [Visual Communications](#) manufacturer:

Other Similar products are found below :

[607-1312-310F](#) [607-3232-140F](#) [6091M1-24V](#) [6091M5-24V](#) [6091M7-24V](#) [821-0331-503](#) [FL2870C8R](#) [FL2950WL7B](#) [FL589WL8R](#)
[Q6P3BXXB12E](#) [H8630FBBA3](#) [MPC5ADW6.0](#) [DX1091GN](#) [NL177WL3G](#) [NL276C3G](#) [NL2950BWL3G](#) [NL2950CWL2R](#) [NL589WL2R](#)
[NL67C3G](#) [NL67C3R](#) [2191L1-12V](#) [PB22SIOL0RG](#) [PB22SPPM41R](#) [PB22SPPM61R](#) [LE177C5B](#) [LH1048BSWL3702](#) [LH1048BWL3702](#)
[LH382A](#) [LHM62B](#) [SSI-LXH387USBD-150](#) [SSI-LXH9ZIC40587](#) [SSP-LXS110818BA](#) [FL2950BWL7R](#) [FL2950WL7R](#) [FL2951WL8G](#)
[FL2951WL8R](#) [FL589C7R](#) [FL67C7R](#) [FL67WL8G](#) [2191QU7-24V](#) [2191U1-12V](#) [2191U5-12V](#) [2191U5-6V](#) [2191U7-12V](#) [249-4167-3734-504F](#) [Q6P5BXXG02E](#) [3990A7](#) [5110F3-12V](#) [MPC5BCW18.0](#) [556-1237-801F](#)