

A

Cooling aggregates with axial fan

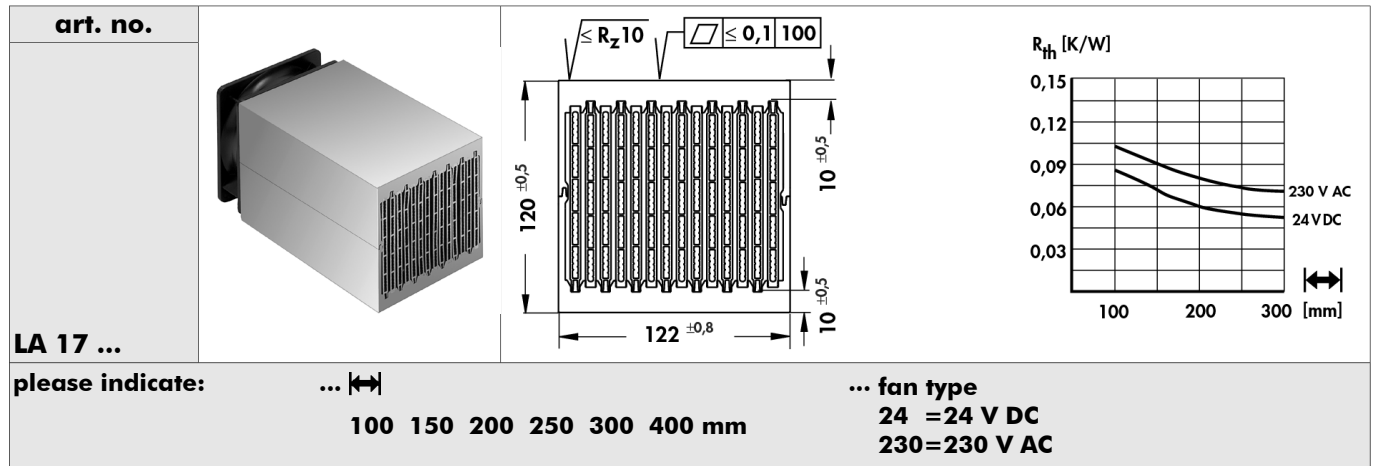
B

Hollow-fin cooling aggregates

- extremely low losses due to optimised hollow fin geometry
- effective heat dissipation
- compact construction with axial fans
- two opposite mounting surfaces are milled flat

C

without air flow chamber



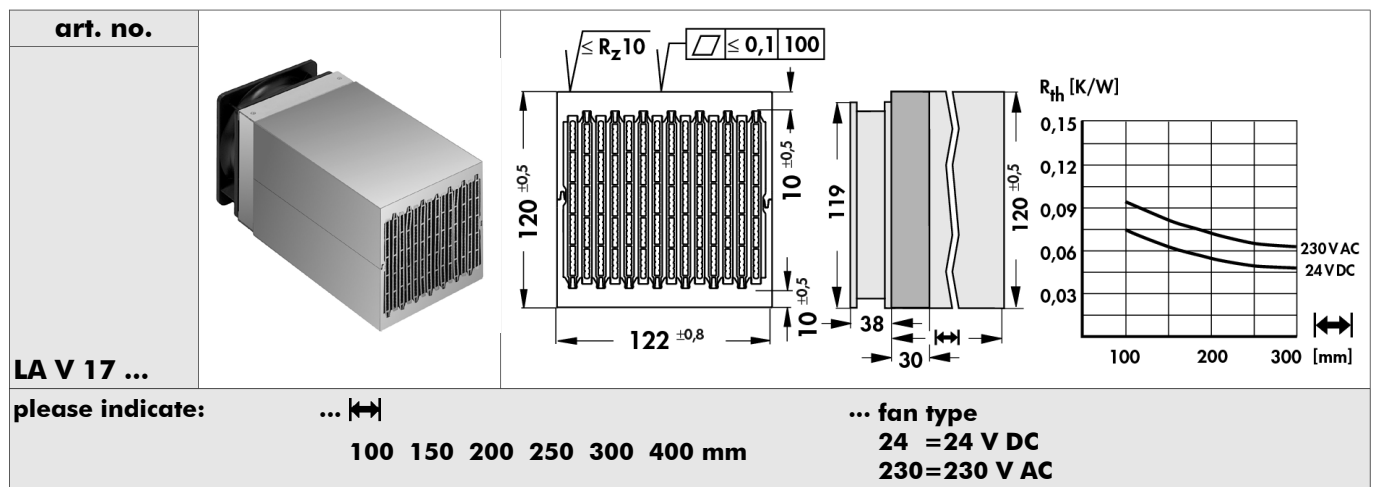
D

E

additional treatment upon customer's request

F

with air flow chamber



G

H

I

additional treatment upon customer's request

K

Technical data of the fans

	... 24	... 230
type	Papst, ball bearing	Papst, ball bearing
dimensions	119 x 119 x 38 mm	119 x 119 x 38 mm
voltage	24 V DC	230 V AC
power input	11 W	19 W
max. air flow	237 m ³ /h	160 m ³ /h
temperature range	-30 °C ... +55 °C	-40 °C ... +85 °C
noise level	59 dB(A)	47 dB(A)
rated speed	4,400 min ⁻¹	2,650 min ⁻¹
weight	390 g	550 g
failure rate	L ₁₀ > 70.000 h (40 °C)	L ₁₀ > 37.500 h (40 °C)

M

N

D 19

Protection grid for axial fans → D 30
 High capacity cooling aggregat. → D 21 – 24
 Cooling aggregates with radial fan → D 27 – 29
 Cooling aggreg. in segment mount. → D 3 – 5

Hole pattern → A 21
 Silicone wafers → E 2 – 4
 Thermal. conductive silicone foam foil → E 6
 Mounting pads → E 36

X-ON Electronics

Largest Supplier of Electrical and Electronic Components

Click to view similar products for [CPU & Chip Coolers](#) category:

Click to view products by [Fisher](#) manufacturer:

Other Similar products are found below :

[109X9112PT0H016](#) [FR2UFAN60HSW](#) [LGA1156 2U Cooler](#) [1960058073N001](#) [19FFD124010HB2A7-000001-RS](#) [109X6512A2016](#)
[CEBF0127271803-00](#) [FHS-A9025S20](#) [109X9212PT0H016](#) [1960048820N001](#) [BXSTS200PNRW 915971](#) [AP0512MX-J90-4P-TA-LF](#) [CF-1150SE-R11](#) [1750000282](#) [AmITX-BT TM-FAN-ETT](#) [1960049408N001](#) [CF-775A-RS](#) [1960055362N011](#) [1960053065N001](#)
[1960047831N001](#) [1960047670N001](#) [1960047669N001](#) [1750001660](#) [conga-IA5/CSP](#) [conga-B7XD/CSA-HP-T](#) [UPS-APL01-COOLER-A01](#)
[EP-FNUPACTCLRDC](#) [CF1-0816-0400-0816A](#) [5078C111200E](#) [664-P4505MX-G90-LF](#) [890SP-01000-A-100](#) [890SP-02000-A-100](#) [890SP-03000-A-100](#) [890SP-01500-A-100](#) [890SP-02500-A-100](#) [109X7612H1126](#) [AP0412MX-J70-LF](#) [AP0505HX-J90-4P-TA-LF](#) [AP4512HX-J90-4P-TA-LF](#) [CC001](#) [CF2-0816-0805-1500NA](#) [conga-PA5/i-CSP-T](#) [FHE353526T710T](#) [FHS-K8020S00](#) [EP-FNDCACTCLUPS](#) [SK 570 25 SA](#)
[ICK LED R 40 X 27](#) [BXSTS200C 915970](#) [BXSTS200P 915972](#) [LA 27 K 75 ME 12 V](#)