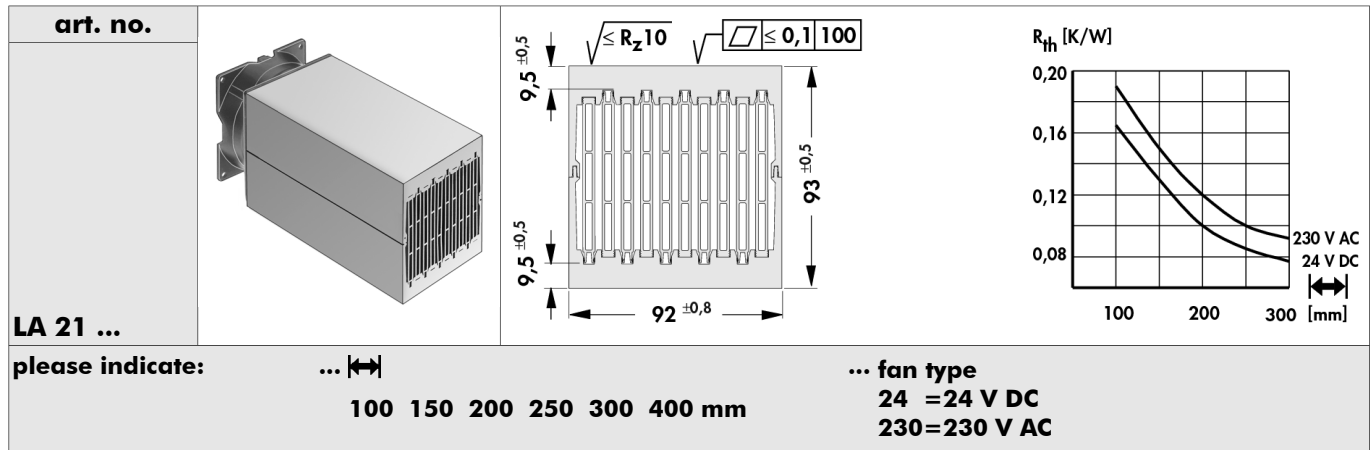


Cooling aggregates with axial fan

Hollow-fin cooling aggregates

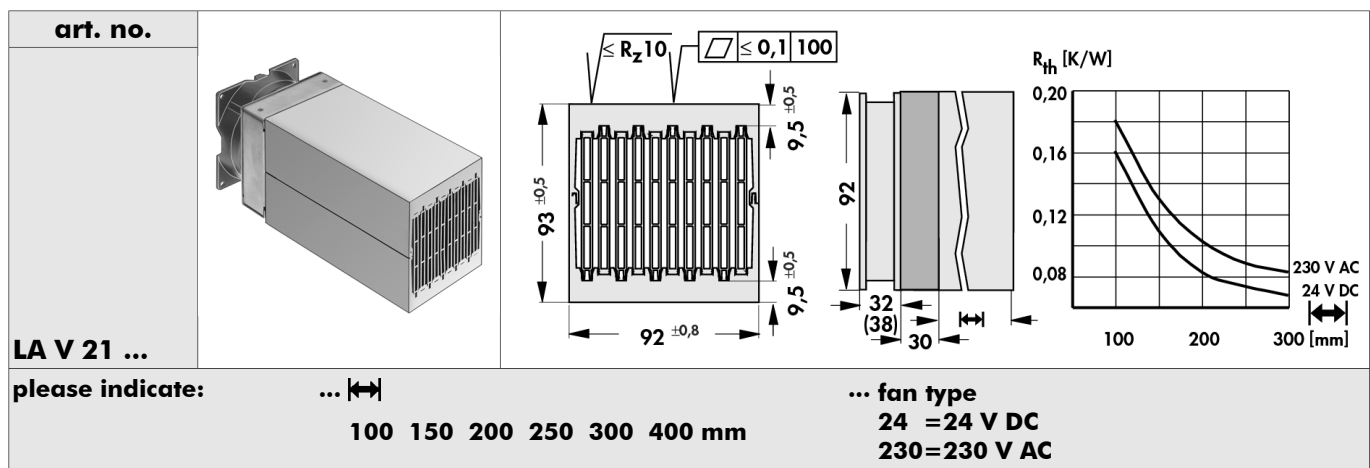
- extremely low losses due to optimised hollow fin geometry
- effective heat dissipation
- compact construction with axial fans
- two opposite mounting surfaces are milled flat

without air flow chamber



specification of the fan motors and additional treatment upon customer's request

with air flow chamber



specification of the fan motors and additional treatment upon customer's request

Technical data of the fans

	... 24	... 230
type	Papst, ball bearing	Papst, ball bearing
dimensions	92 x 92 x 32 mm	92 x 92 x 38 mm
voltage	24 V DC	230 V AC
power input	2.4 W	12 W
max. air flow	80 m ³ /h	75 m ³ /h
temperature range	-20 °C ... +75 °C	-40 °C ... +75 °C
noise level	37 dB(A)	37 dB(A)
rated speed	3,000 min ⁻¹	2,700 min ⁻¹
weight	190 g	420 g
failure rate	L ₁₀ > 70.000 h (40 °C)	L ₁₀ > 52.500 h (40 °C)

Miniature cooling aggregates
Protection grid for axial fans
Heatsinks for Solid State Relay
High capacity heatsinks

→ D 9 - 10
→ D 30
→ A 12
→ A 54 - 55

Special heatsink design
Hole pattern
Standard aluminium profiles
Technical introduction

→ A 133 - 134
→ A 21
→ A 131 - 132
→ A 2 - 7

X-ON Electronics

Largest Supplier of Electrical and Electronic Components

Click to view similar products for [CPU & Chip Coolers](#) category:

Click to view products by [Fisher](#) manufacturer:

Other Similar products are found below :

[109X9112PT0H016](#) [FR2UFAN60HSW](#) [LGA1156 2U Cooler](#) [1960058073N001](#) [19FFD124010HB2A7-000001-RS](#) [109X6512A2016](#)
[CEBF0127271803-00](#) [FHS-A9025S20](#) [109X9212PT0H016](#) [1960048820N001](#) [BXSTS200PNRW 915971](#) [AP0512MX-J90-4P-TA-LF](#) [CF-1150SE-R11](#) [1750000282](#) [AmITX-BT TM-FAN-ETT](#) [1960049408N001](#) [CF-775A-RS](#) [1960055362N011](#) [1960053065N001](#)
[1960047831N001](#) [1960047670N001](#) [1960047669N001](#) [1750001660](#) [conga-IA5/CSP](#) [conga-B7XD/CSA-HP-T](#) [UPS-APL01-COOLER-A01](#)
[EP-FNUPACTCLRDC](#) [CF1-0816-0400-0816A](#) [5078C111200E](#) [664-P4505MX-G90-LF](#) [890SP-01000-A-100](#) [890SP-02000-A-100](#) [890SP-03000-A-100](#) [890SP-01500-A-100](#) [890SP-02500-A-100](#) [109X7612H1126](#) [AP0412MX-J70-LF](#) [AP0505HX-J90-4P-TA-LF](#) [AP4512HX-J90-4P-TA-LF](#) [CC001](#) [CF2-0816-0805-1500NA](#) [conga-PA5/i-CSP-T](#) [FHE353526T710T](#) [FHS-K8020S00](#) [EP-FNDCACTCLUPS](#) [SK 570 25 SA](#)
[ICK LED R 40 X 27](#) [BXSTS200C 915970](#) [BXSTS200P 915972](#) [LA 27 K 75 ME 12 V](#)