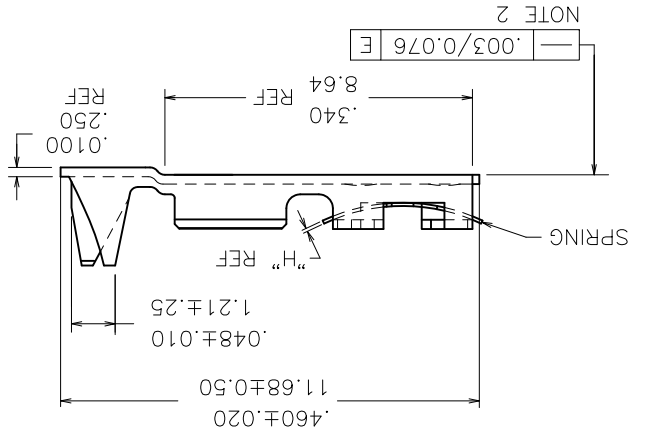
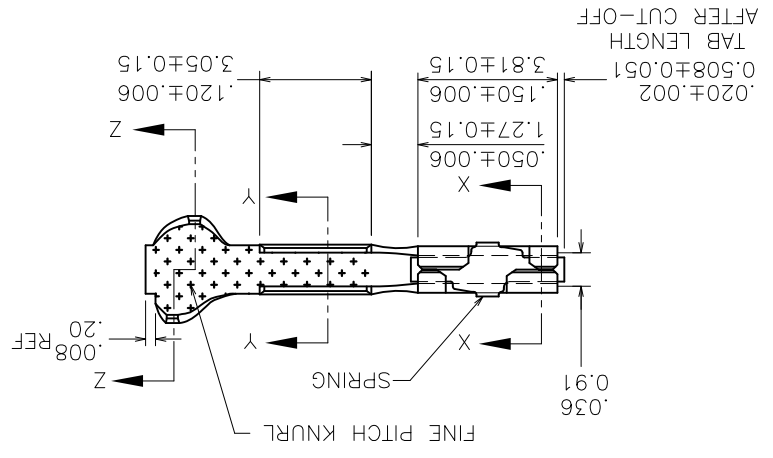
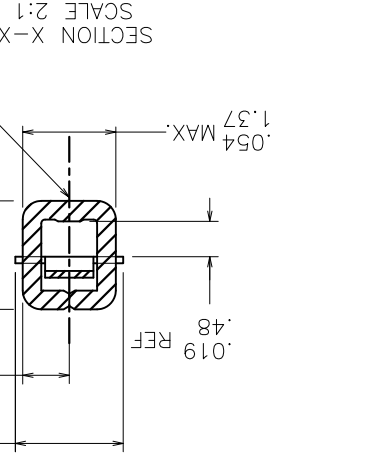
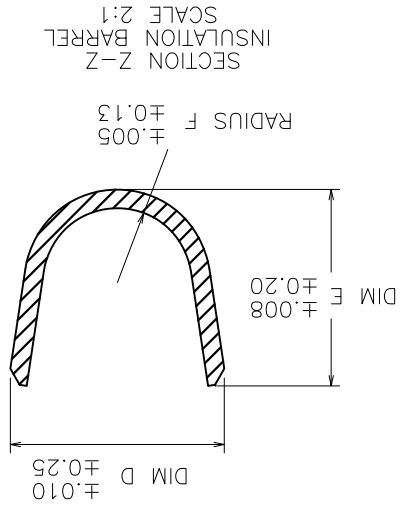
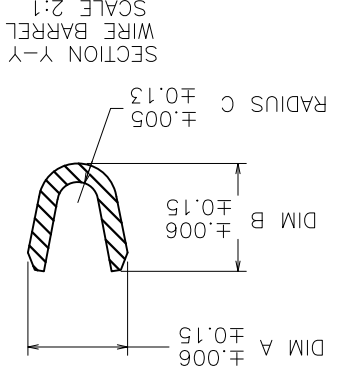


PRODUCT NUMBER
SEE SHEET 3



NOTE 2



mat'l code	surface	tolerance	projection	product family
SEE TABLE	tolerances unless otherwise specified	linear: .xxx±.005/.xxx±.13 angles: .xx±.01/.xx±.3 xxx±.020/xxx±.051	INCH/MM 5:1	MINI PV™ RECEPTACLE CRIMP TO WIRE
lfr	ecn no	df	date	
AG	v07-0218	HTB	2007-03-16	
AH	v08-0113	HTB	2008-03-28	
AJ	f08-0159	HTB	2008-04-16	
AK	f08-0189	HTB	2008-06-25	
AL	v08-0510	HTB	2008-12-02	eng'r
AM	v10-0359	HTB	2010-09-15	chr
AN	v12-0006	HTB	2012-01-05	app'd
revision	Sheet	index		
1	AN	1		
2	AN	2		
3	AN	3		
4	AN	4		
5	AN	5		
6	AN	6		
type		Product Customer Drawing		
dwg no		sheet 1 of 6		
47212		FCJ		
A3				

PRODUCT NUMBER
SEE SHEET 3

AWG	WIRE BARREL				INSULATION BARREL				RECOMMENDED HANDTOOL FOR LOOSE PIECE APPLICATION
	RANGE	DIM A	DIM B	RADIUS C	INSULATION DIAMETER RANGE	DIM D	DIM E	RADIUS F	
18-20	.104/2.64	.104/2.64	.021/.53	.042/1.07-.103/2.62	.139/3.53	.120/3.05	.050/1.27	HT-0073	
22-26	.070/1.78	.070/1.78	.017/.43	.036/.91-.103/2.62	.139/3.53	.120/3.05	.050/1.27	HT-0095	
28-32	.054/1.37	.058/1.47	.011/.28	.028/.71-.054/1.37	.115/2.92	.105/2.67	.040/1.02		

NOTES:

1. TERMINAL MATES WITH .025±.002/0.64±0.05 SQUARE OR ROUND PIN.
- ② WHEN MEASURED ALONG DATUM -E- WITHIN .340/8.64 REF DIM.
3. PRODUCT SPECIFICATION: BUS-12-067.
- APPLICATION SPECIFICATIONS:
 TA-75: TERMINAL DATA FOR USE WITH MINI LATCH HOUSING.
 TA-146: TERMINAL DATA FOR CONTACTS NOT USED IN HOUSINGS.
 TA-210: TERMINAL DATA FOR CONTACTS USED WITH MINI ROD HOUSINGS.
 TA-228: APPLICATIONS USING 20 AWG WIRE.
 TA-531: INSTALLING AND REMOVING TERMINALS.
- ④ PRODUCT MEETS EUROPEAN UNION DIRECTIVES AND OTHER COUNTRY REGULATIONS AS DESCRIBED IN GS-22-008.
5. THIS PRODUCT IS NOT INTENDED TO BE EXPOSED TO MANUFACTURING SOLDERING PROCESSES.
- ⑥ THIS PRODUCT HAS 100% TIN PLATING IN THE INTERFACE AND HAS NOT BEEN TESTED FOR WHISKER GROWTH IN ALL INTERCONNECT ENVIRONMENTS.
- ⑦ CONTACT SIDE OF TERMINAL WILL HAVE 50µ"/1.27µm NICKEL UNDERPLATE OVERALL WITH GOLD FLASH REQUIRED INSIDE CONTACT BOX AND WIRE BARREL ONLY. BACKSIDE OF TERMINALS TO BE PLATED WITH 30µ"/0.76µm NICKEL ONLY.

mat'l code	surface	tolerance	projection	product family	PV TERMINALS
lit	ecn no	dr	date	tolerances unless otherwise specified	linear .xxx±.01/.xx±.3
AN	angles	linear	.xxx±.005/.xxx±.13	INCH/MM	MINI PV™ RECEPTACLE
		scale	1:1		CRIMP TO WIRE
		dwg no	sheet 2 of 6	size	A3
		dr	T. BREWBAKER 2006-04-18		
		engr	T. BREWBAKER 2006-04-18		
		chr	T. BREWBAKER 2006-04-18		
		appt	T. BREWBAKER 2006-04-18		
sheet	revision	Product Customer Drawing			
index	sheet				



Copyright FCI

FORM A3

form A3

MATERIAL & PLATING		SPRING THICKNESS		AWG		REELLED		LOOSE		PLATING AVAILABILITY							
1/4 HARD BRASS BODY		DIM H±.0005/0.012		RANGE		NOTE 4		NOTE 4		-000	-000LF	-001	-001LF	-002	-002LF		
Au FLASH	CONTACT AREA 50µ"/1.27µ NI UNDERPLATING: 50µ"/1.27µ NI CONTACT AREA: 30µ"/0.76µ Au INSIDE BOX AREA: -000LF Au FLASH -001LF 30µ"/0.76µ Au -002LF 8µ"/0.2µ Au REMAINDER: -000LF SEE NOTE 7 -001LF 30µ"/0.76µ Au -002LF Au FLASH	.0065/0.165		28-32	48050	28-32	48239	28-32	48050	NO	NO	NO	NO	YES	YES		
		.0048/0.122		18-20	48045	28-32	48237	28-32	48045	NO	NO	NO	NO	YES	YES	YES	
		.0035/0.089		28-32	48048	28-32	48238	28-32	48238	28-32	48048	NO	NO	NO	YES	YES	YES
		.0065/0.165		28-32	48249	28-32	48258	28-32	48258	28-32	48249	NO	NO	NO	YES	YES	YES
		.0058/0.147		18-20	94011	18-20	94014	18-20	94014	18-20	94011	NO	NO	NO	NO	NO	NO
		.0048/0.122		22-26	48245	22-26	48254	22-26	48254	22-26	48245	NO	NO	NO	NO	NO	NO
		.0035/0.089		28-32	48243	28-32	48252	28-32	48252	28-32	48243	NO	NO	NO	NO	NO	NO
		.0048/0.122		18-20	48244	18-20	48253	18-20	48253	18-20	48244	NO	NO	NO	NO	NO	NO
		.0065/0.165		18-20	48247	18-20	48256	18-20	48256	18-20	48247	NO	NO	NO	NO	NO	NO
		.0058/0.147		28-32	94013	28-32	94016	28-32	94016	28-32	94013	NO	NO	NO	NO	NO	NO
		.0048/0.122		22-26	48242	22-26	48251	22-26	48251	22-26	48242	NO	NO	NO	NO	NO	NO
		.0035/0.089		28-32	48241	28-32	48250	28-32	48250	28-32	48241	NO	NO	NO	NO	NO	NO
		.0065/0.165		22-26	48051	22-26	48236	22-26	48236	22-26	48051	NO	NO	NO	NO	YES	YES
		.0065/0.165		18-20	48052	18-20	48233	18-20	48233	18-20	48052	NO	NO	NO	NO	YES*	YES*
		.0058/0.147		28-32	93259	28-32	94021	28-32	94021	28-32	93259	NO	NO	NO	NO	NO	NO
		.0048/0.122		22-26	94018	22-26	94020	22-26	94020	22-26	94018	NO	NO	NO	NO	NO	NO
		.0035/0.089		18-20	94017	18-20	94019	18-20	94019	18-20	94017	NO	NO	NO	NO	NO	NO

* LOOSE PIECE NOT AVAILABLE

mat'l code SEE TABLE

surface tolerance unless otherwise specified

AN angles linear .xxx±.005/.xxx±.13
.xxx±.01/.xx±.3

INCH/MM

projection

product family PV TERMINALS

title MINI PV™ RECEPTACLE CRIMP TO WIRE

dwg no sheet 3 of 6 size A3

type Product Customer Drawing

revision sheet

index

MATERIAL & PLATING		SPRING THICKNESS		AWG	REELED	LOOSE	PLATING AVAILABILITY										
1/4 HARD BRASS BODY		DIM H±.0005/0.012		RANGE	NOTE 4	NOTE 4	NOTE 4	NOTE 4	NOTE 4	NOTE 4	NOTE 4	NOTE 4	NOTE 4				
Be/Cu SPRING																	
Au FLASH	CONTACT AREA 50µ"/1.27µ N: UNDERPLATING: 50µ"/1.27µ N: CONTACT AREA: 75µ"/1.91µ Au INSIDE BOX AREA: -000LF Au FLASH -001LF 75µ"/1.91µ Au -002LF 30µ"/0.76µ Au REMAINDER: -000LF SEE NOTE 7 -001LF 75µ"/1.91µ Au -002LF 15µ"/0.38µ Au	Au FLASH	.0035/0.089	18-20	47785	48014	NO	YES	NO	NO	NO	NO	NO	OBS.			
				22-26	47784	48015	NO	NO	NO	NO	NO	NO	NO	NO	OBS.		
				28-32	47783	48013	NO	NO	NO	NO	NO	NO	NO	NO	NO	OBS.	
				18-20	47220	47707	NO	NO	NO	NO	NO	NO	NO	NO	NO	OBS.	
				22-26	47216	47706	NO	YES	NO	NO	NO	NO	NO	NO	NO	NO	OBS.
				28-32	47212	47705	NO	YES	NO	NO	NO	NO	NO	NO	NO	NO	OBS.
				18-20	94028	94031	NO	NO	NO	NO	NO	NO	NO	NO	NO	NO	OBS.
				22-26	94029	94032	NO	NO	NO	NO	NO	NO	NO	NO	NO	NO	OBS.
				28-32	94030	94033	NO	NO	NO	NO	NO	NO	NO	NO	NO	NO	OBS.
				DISCONTINUED													
				DISCONTINUED													
				DISCONTINUED													
Au FLASH	CONTACT AREA 50µ"/1.27µ N: UNDERPLATING: 50µ"/1.27µ N: CONTACT AREA: 40µ"/1.02µ Au INSIDE BOX AREA: -000LF Au FLASH -001LF 8µ"/0.2µ Au -002LF 8µ"/0.2µ Au REMAINDER: -001LF SEE NOTE 7 -002LF 8µ"/0.2µ Au	Au FLASH	.0035/0.089	18-20	48276	N/A	NO	NO	NO	NO	NO	NO	NO	YES			
				22-26	47457	47743	NO	YES	NO	NO	NO	NO	NO	NO	YES		
				28-32	47456	47742	NO	YES	NO	NO	NO	NO	NO	NO	NO	YES	
				18-20	47441	47713	NO	YES	NO	NO	NO	NO	NO	NO	NO	YES	
				22-26	47439	47712	NO	YES	NO	NO	NO	NO	NO	NO	NO	YES	
				28-32	47437	47711	NO	YES	NO	NO	NO	NO	NO	NO	NO	YES	
				18-20	94022	94025	NO	NO	NO	NO	NO	NO	NO	NO	NO	NO	OBS.
				22-26	94023	94026	NO	NO	NO	NO	NO	NO	NO	NO	NO	NO	OBS.
				28-32	94024	94027	NO	NO	NO	NO	NO	NO	NO	NO	NO	NO	OBS.
				18-20	47566	47746	NO	YES	NO	NO	NO	NO	NO	NO	NO	NO	OBS.
				22-26	47565	47745	NO	YES	NO	NO	NO	NO	NO	NO	NO	NO	OBS.
				28-32	47564	47744	NO	YES	NO	NO	NO	NO	NO	NO	NO	NO	OBS.

mat'l code	SEE TABLE	surface	tolerance unless otherwise specified	projection	product family	PV TERMINALS
lfr	ecn no	dr	date	angles	linear	xxxx+.005/xxx.13
AN						xxxx+.020/xxx+.051
				scale	1:1	
		dr	T. BREWBAKER 2006-04-18			
		engr	T. BREWBAKER 2006-04-18			
		chr	T. BREWBAKER 2006-04-18			
		apprd	T. BREWBAKER 2006-04-18			
sheet	revision					
index						

FCJ

MINI PV™ RECEPTACLE CRIMP TO WIRE

sheet 4 of 6 size

47212

Product Customer Drawing



FCIconnect.com

Copyright FCI

FORM A3

MATERIAL & PLATING		SPRING THICKNESS		AWG	REFLEED	LOOSE		PLATING AVAILABILITY									
1/4 HARD BRASS BODY	Be/Cu SPRING	DIM H±.0005/0.012		NOTE 4	NOTE 4	NOTE 4	NOTE 4	-000	-000LF	-001	-001LF	-002	-002LF				
PRE-PLATED: 50% ±1.87% Ni UNDERPLATING: 100-208µ"/2.54±.08µ" OVERPLATING: 60/40 TIN LEAD "LF NOT AVAILABLE" SEE LEAD-FREE EQUIVALENTS BELOW	Sn PLATED	.0035/0.089	.0048/0.122	22-26	47445	47747	NO	NO	NO	NO	NO	NO	NO	OBS.			
				28-32	47446	47748	NO	NO	NO	NO	NO	NO	NO	NO	NO	OBS.	
				18-20	47221	47716	NO	NO	NO	NO	NO	NO	NO	NO	NO	NO	OBS.
				22-26	47445	47747	NO	NO	NO	NO	NO	NO	NO	NO	NO	NO	OBS.
				28-32	47446	47748	NO	NO	NO	NO	NO	NO	NO	NO	NO	NO	OBS.
				18-20	47221	47716	NO	NO	NO	NO	NO	NO	NO	NO	NO	NO	OBS.
				22-26	47445	47747	NO	NO	NO	NO	NO	NO	NO	NO	NO	NO	OBS.
				28-32	47446	47748	NO	NO	NO	NO	NO	NO	NO	NO	NO	NO	OBS.
				18-20	47221	47716	NO	NO	NO	NO	NO	NO	NO	NO	NO	NO	OBS.
				22-26	47445	47747	NO	NO	NO	NO	NO	NO	NO	NO	NO	NO	OBS.
				28-32	47446	47748	NO	NO	NO	NO	NO	NO	NO	NO	NO	NO	OBS.
				18-20	47221	47716	NO	NO	NO	NO	NO	NO	NO	NO	NO	NO	OBS.
PRE-PLATED: -000LF 100-160µ" 2.54-4.06µ" Sn (LEAD-FREE) NOTE 6	Sn PLATED	.0035/0.089	.0048/0.122	22-26	47445	47747	NO	NO	NO	NO	NO	NO	NO	OBS.			
				28-32	47446	47748	NO	NO	NO	NO	NO	NO	NO	NO	OBS.		
				18-20	47221	47716	NO	NO	NO	NO	NO	NO	NO	NO	NO	OBS.	
				22-26	47445	47747	NO	NO	NO	NO	NO	NO	NO	NO	NO	OBS.	
				28-32	47446	47748	NO	NO	NO	NO	NO	NO	NO	NO	NO	OBS.	
				18-20	47221	47716	NO	NO	NO	NO	NO	NO	NO	NO	NO	NO	OBS.
				22-26	47445	47747	NO	NO	NO	NO	NO	NO	NO	NO	NO	NO	OBS.
				28-32	47446	47748	NO	NO	NO	NO	NO	NO	NO	NO	NO	NO	OBS.
				18-20	47221	47716	NO	NO	NO	NO	NO	NO	NO	NO	NO	NO	OBS.
				22-26	47445	47747	NO	NO	NO	NO	NO	NO	NO	NO	NO	NO	OBS.
				28-32	47446	47748	NO	NO	NO	NO	NO	NO	NO	NO	NO	NO	OBS.
				18-20	47221	47716	NO	NO	NO	NO	NO	NO	NO	NO	NO	NO	OBS.
PRE-PLATED: -000LF 100-160µ" 2.54-4.06µ" Sn (LEAD-FREE) NOTE 6	Sn PLATED	.0058/0.147	.0065/0.165	22-26	94035	94038	NO	NO	NO	NO	NO	NO	NO	OBS.			
				28-32	94036	94039	NO	NO	NO	NO	NO	NO	NO	NO	OBS.		
				18-20	94034	94037	NO	NO	NO	NO	NO	NO	NO	NO	NO	OBS.	
				22-26	94035	94038	NO	NO	NO	NO	NO	NO	NO	NO	NO	OBS.	
				28-32	94036	94039	NO	NO	NO	NO	NO	NO	NO	NO	NO	OBS.	
				18-20	94034	94037	NO	NO	NO	NO	NO	NO	NO	NO	NO	NO	OBS.
				22-26	94035	94038	NO	NO	NO	NO	NO	NO	NO	NO	NO	NO	OBS.
				28-32	94036	94039	NO	NO	NO	NO	NO	NO	NO	NO	NO	NO	OBS.
				18-20	94034	94037	NO	NO	NO	NO	NO	NO	NO	NO	NO	NO	OBS.
				22-26	94035	94038	NO	NO	NO	NO	NO	NO	NO	NO	NO	NO	OBS.
				28-32	94036	94039	NO	NO	NO	NO	NO	NO	NO	NO	NO	NO	OBS.
				18-20	94034	94037	NO	NO	NO	NO	NO	NO	NO	NO	NO	NO	OBS.
PRE-PLATED: -000LF 100-160µ" 2.54-4.06µ" Sn (LEAD-FREE) NOTE 6	Sn PLATED	.0065/0.165	.0065/0.165	22-26	47650	47751	NO	NO	NO	NO	NO	NO	NO	OBS.			
				28-32	47649	47750	NO	NO	NO	NO	NO	NO	NO	NO	OBS.		
				18-20	47648	47749	NO	NO	NO	NO	NO	NO	NO	NO	NO	OBS.	
				22-26	47649	47750	NO	NO	NO	NO	NO	NO	NO	NO	NO	OBS.	
				28-32	47648	47749	NO	NO	NO	NO	NO	NO	NO	NO	NO	OBS.	
				18-20	47648	47749	NO	NO	NO	NO	NO	NO	NO	NO	NO	NO	OBS.
				22-26	47649	47750	NO	NO	NO	NO	NO	NO	NO	NO	NO	OBS.	
				28-32	47648	47749	NO	NO	NO	NO	NO	NO	NO	NO	NO	OBS.	
				18-20	47648	47749	NO	NO	NO	NO	NO	NO	NO	NO	NO	NO	OBS.
				22-26	47649	47750	NO	NO	NO	NO	NO	NO	NO	NO	NO	NO	OBS.
				28-32	47648	47749	NO	NO	NO	NO	NO	NO	NO	NO	NO	NO	OBS.
				18-20	47648	47749	NO	NO	NO	NO	NO	NO	NO	NO	NO	NO	OBS.

mat'l code	SEE TABLE	surface	tolerance unless otherwise specified	projection	product family	PV TERMINALS
lfr	ecn no	dr	date	angles	linear	tolerances unless otherwise specified
AN				linear	xxx±.005/xxx.13	xxx±.01/xx.3
				linear	xxx±.002/xxx.051	xxx±.002/xxx.051
				scale	1:1	
dwg no	sheet 5 of 6 size		A3			
type	Product Customer Drawing		47212			
revision	sheet	index				
dr	T. BREWBAKER	2006-04-18				
engr	T. BREWBAKER	2006-04-18				
chr	T. BREWBAKER	2006-04-18				
appdr	T. BREWBAKER	2006-04-18				

6 0 5 4 3 2 1 0 6 5 4 3 2 1 0 6

MATERIAL & PLATING 1/4 HARD BRASS BODY Be/Cu SPRING		Au FLASH		UNDERPLATING: 50" X 1.270 NI CONTACT AREA: 30" / 0.176u EXT INSIDE BOX AREA: -600 Au FLASH REMAINDER: -600 Au FLASH																													
SPRING THICKNESS DIM H±.0005/0.012		.0035/0.089		.0048/0.122		.0058/0.147		.0065/0.165																									
AWG RANGE		18-20		22-26		28-32		18-20		22-26		28-32		18-20		22-26		28-32		18-20		22-26		28-32									
REEL'D NOTE 4		48231-600		48049-600		48235-600		48048-600		48047-600		48232-600		48046-600		48237-600		94019-600		94018-600		94020-600		93259-600		48052-600		48051-600		48050-600		48239-600	
LOOSE-PIECE NOTE 4		OBS.		OBS.		OBS.		OBS.		OBS.		OBS.		OBS.		OBS.		OBS.		OBS.		OBS.		OBS.		OBS.		OBS.		OBS.			

mat'l code		SEE TABLE		surface		tolerance		projection		product family		PV TERMINALS	
lit		ec'n no		dr		date		tolerances unless otherwise specified		angles		linear	
AN								:xxx±.005/:xxx±.13		:xxx±.01/:xx±.3		INCH/MM	
scale		1:1											
dwg no		sheet 6 of 6		size		A3		FCJ		47212		type	
Product Customer Drawing													
revision		sheet		index									

X-ON Electronics

Largest Supplier of Electrical and Electronic Components

Click to view similar products for [Terminals](#) category:

Click to view products by [FCT Electronics](#) manufacturer:

Other Similar products are found below :

[HT-13-10](#) [71M-250-32-NB](#) [01-2065-1-0216](#) [00581P0075](#) [M10-10RX](#) [M10BCK](#) [60205-1](#) [604200-1](#) [60598-1-CUT-TAPE](#) [60617-1-C](#) [60873-1](#) [M14-516R/SK](#) [M14-6RSX](#) [M18-10FLX](#) [M18-8FBX](#) [M18-8R/LX](#) [M18BCK](#) [61314-6-C](#) [61-S](#) [61-SN-A](#) [62149-1](#) [62-NBM-A](#) [63-S](#) [640179-1](#) [640917-2-CUT-TAPE](#) [6501550002](#) [66107-2-C](#) [66107-4-C](#) [696683-1](#) [696834-1](#) [696861-1](#) [696931-1](#) [696999-1](#) [M8-516RK](#) [M86700006](#) [MA250DMFMX-A](#) [701-2007](#) [701-2307](#) [701-7761-03](#) [70F-110-32-PB](#) [718-N-A](#) [71M-187-20-NBL](#) [71M-250-32-NBL](#) [72F-187-20-NBL](#) [72M-250-32-NBL](#) [7310](#) [73F-250-32](#) [73F-250-32-NBL](#) [73F-250-32-NL](#) [F-1M](#)