



- Polyamide hand enclosure for automation and control engineering
- Version with handle and integrated cable exit
- Large fitting space

Technical data

Material:
 polyamide
 front plate: polystyrol

Ingress protection:
 IP 65, EN 60529

Impact resistance:
 > 7 Joule, DIN 50014

Flammability:
 HB / UL 94

Colour:
 RAL 1021, rape yellow

Temperature range:
 -40°C to +60°C

Included in delivery
 Enclosure with handle, including cable gland M 20 x 1.5, front panel, enclosure and front panel screws, and wall holder

Pilot 110 - 150

Programme range

Enclosure type	Order No.	Encl. dimensions incl. handle		Front panel dimensions		Mounting depth (mm)
		W	L x H (mm)	W x H (mm)		
Pilot 110	29.21 10 00	85	85 x 191	77 x 77		63,5
Pilot 120	29.21 20 00	115	85 x 191	107 x 77		63,5
Pilot 130	29.21 30 00	85	115 x 221	77 x 107		63,5
Pilot 140	29.21 40 00	160	105 x 211	152 x 97		63,5
Pilot 150	29.21 50 00	105	160 x 266	97 x 152		63,5

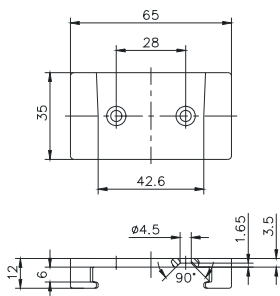
Accessories

Magnetic holder (for Pilot 120 - 150)	29.00 00 80
Push button and switches see page 53 - 58	on request



Electromechanical components

On request, we can supply equipment fitted with electro-mechanical components such as emergency stop button, acknowledge keys, hand wheel, switches, display



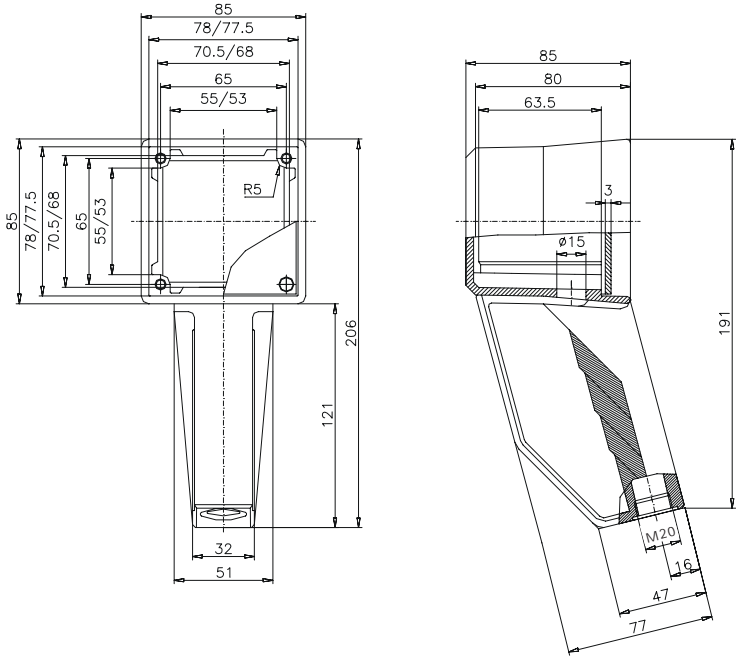
Wall holder

included in delivery

Dimensions

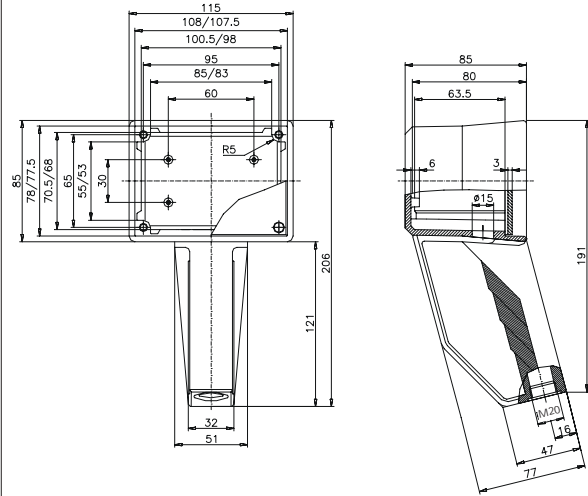


Type	Order No.	Weight (kg)
Pilot 110	29.21 10 00	0,307

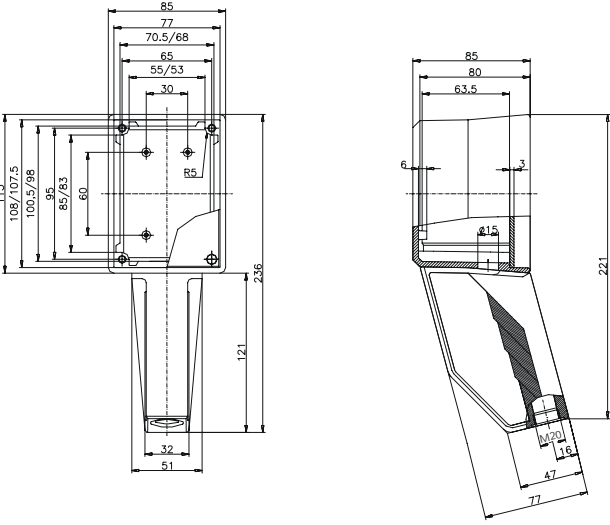


Type	Order No.	Weight (kg)
Pilot 120	29.21 20 00	0,341
Pilot 130	29.21 30 00	0,341

Pilot 120



Pilot 130



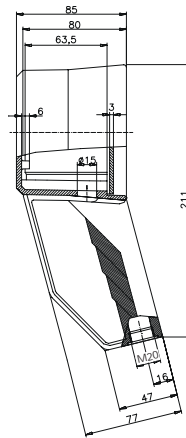
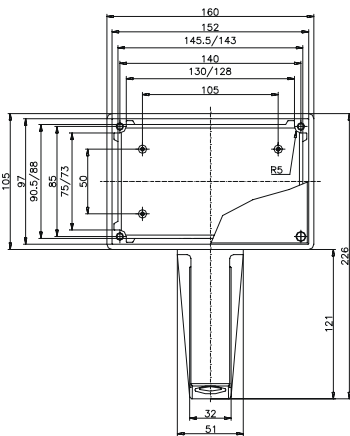
Pilot 110 - 150

Dimensions

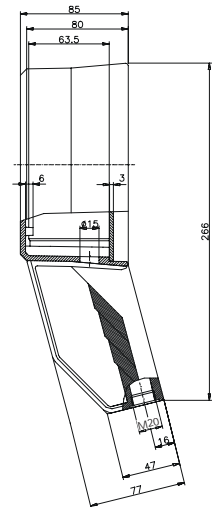
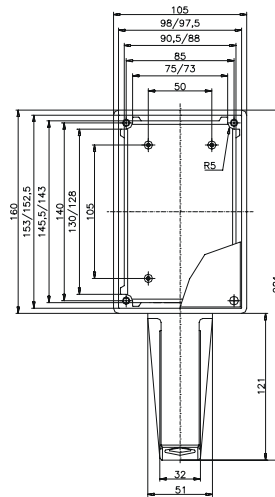


Type	Order No.	Weight (kg)
Pilot 140	29.21 40 00	0,434
Pilot 150	29.21 50 00	0,434

Pilot 140



Pilot 150



Accessories



Magnetic holder
for Pilot 120 - 150, self-adhesive
dimensions: 90 x 30 x 7.5 mm

Order No. **29. 00 00 80**

X-ON Electronics

Largest Supplier of Electrical and Electronic Components

Click to view similar products for [Rose Bopla](#) manufacturer:

Other Similar products are found below :

[ABP16000200SET](#) [ABP8000200SET](#) [013160110](#) [96016324](#) [041418070](#) [EM238](#) [EM 217 F](#) [EM210](#) [270102110](#) [BS400DIRAL7024](#)
[BS603F7024](#) [49517700-00](#) [292150000](#) [270104000](#) [010615038](#) [012328110](#) [041422070](#) [090816090](#) [EM 215 F](#) [BS600DIRAL5005](#) [96756000](#)
[UM52011SHORTSET](#) [96703200](#) [27.02 02 00](#) [010610030](#) [011828108](#) [012340238](#) [BOS 755](#) [292110000](#) [96706300](#) [96705200](#) [96603200](#)
[96603100](#) [96025234](#) [96023225](#) [96606300](#) [96605200](#) [96602100](#) [96601100](#) [96600010](#) [96600000](#) [022526160](#) [011222088](#) [96025225](#)
[96026324](#) [96023224](#) [96012124](#) [96014225](#) [NGS9816](#) [011222098](#)