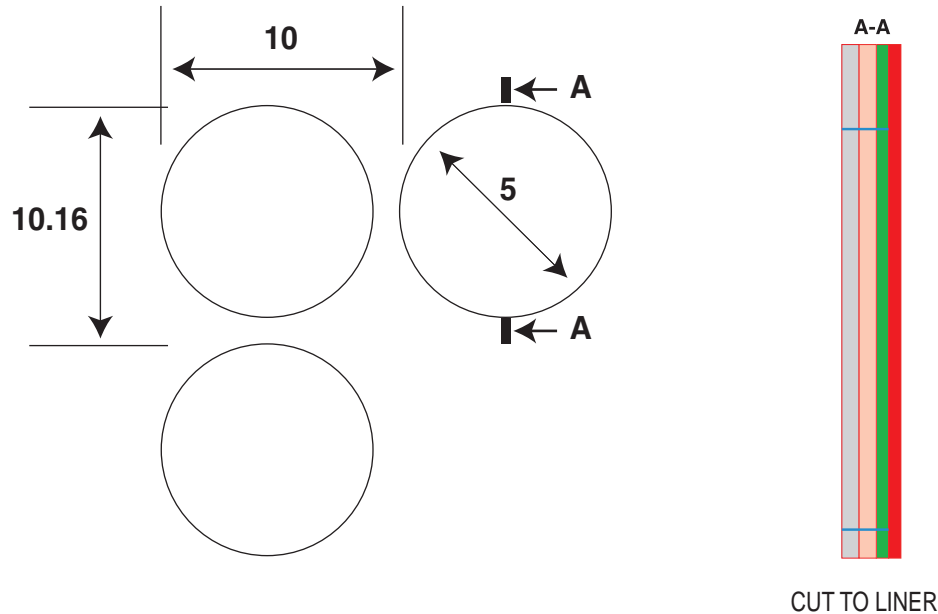


# PRINTING

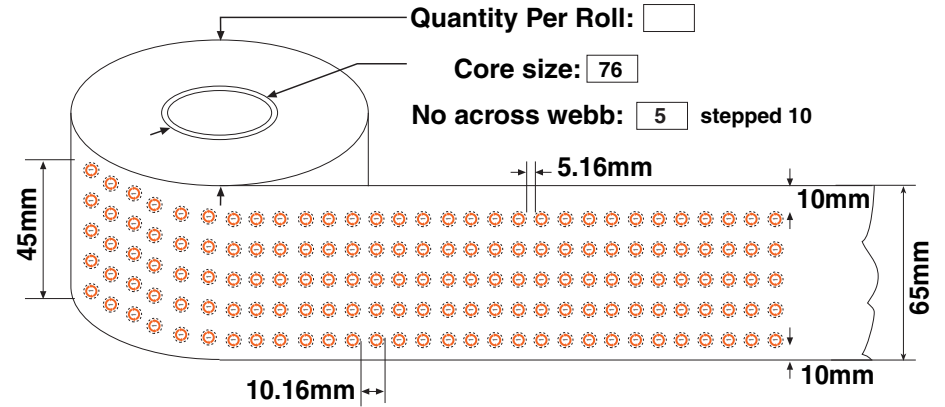


Line No.	Part Description	171 number	Farnell order code	Size (Diam.)	Print Info	Roll	Pack Qty	Composite Spec
46	LBC-FAR-10468-46-5-1R	6-1768830-3	1341144	5	1	Roll	5000	5mm Diam 2 Col Roll <b>1</b>
47	LBC-FAR-10468-47-5-2R	6-1768830-4	1341146	5	2	Roll	5000	5mm Diam 2 Col Roll <b>2</b>
48	LBC-FAR-10468-48-5-3R	6-1768830-5	1341147	5	3	Roll	5000	5mm Diam 2 Col Roll <b>3</b>
49	LBC-FAR-10468-49-5-4R	6-1768830-6	1341148	5	4	Roll	5000	5mm Diam 2 Col Roll <b>4</b>
50	LBC-FAR-10468-50-5-5R	6-1768830-7	1341149	5	5	Roll	5000	5mm Diam 2 Col Roll <b>5</b>
ADDED	LBC-FAR-10468-50-5-6R	6-1768830-8	1341150	5	6	Roll	5000	5mm Diam 2 Col Roll <b>6</b>
ADDED	LBC-FAR-10468-50-5-7R	6-1768830-9	1341151	5	7	Roll	5000	5mm Diam 2 Col Roll <b>7</b>
ADDED	LBC-FAR-10468-50-5-8R	7-1768830-0	1341152	5	8	Roll	5000	5mm Diam 2 Col Roll <b>8</b>
ADDED	LBC-FAR-10468-50-5-9R	7-1768830-1	1341153	5	9	Roll	5000	5mm Diam 2 Col Roll <b>9</b>
51	LBC-FAR-10468-51-5-10R	7-1768830-2	1341154	5	10	Roll	5000	5mm Diam 2 Col Roll <b>10</b>
ADDED	LBC-FAR-10468-51-5-15R	7-1768830-3	1341155	5	15	Roll	5000	5mm Diam 2 Col Roll <b>15</b>
52	LBC-FAR-10468-52-5-20R	7-1768830-4	1341156	5	20	Roll	5000	5mm Diam 2 Col Roll <b>20</b>
53	LBC-FAR-10468-53-5-25R	7-1768830-5	1341158	5	25	Roll	5000	5mm Diam 2 Col Roll <b>25</b>
54	LBC-FAR-10468-54-5-50R	7-1768830-6	1341159	5	50	Roll	5000	5mm Diam 2 Col Roll <b>50</b>

# CUTTING

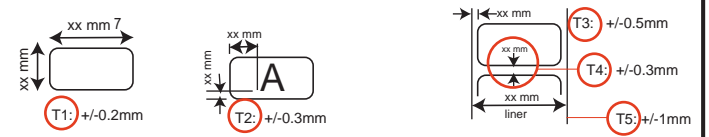


# PRESENTATION

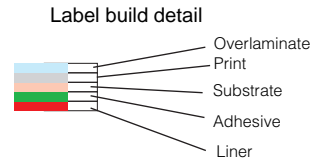


# LABEL SPECIFICATION

These are our standard tolerances unless specified by customers drawing



**FONTS**  
**IMPACT 5.5PT**



All dimensions in mm

Process	Flexographic
Material	SAP code APRFPC/120
Print Colours	Orange and Grey
Nom. Thickness	80 micron
Overlaminated Y/N	NO
Texture	Semi-Gloss
Wound	Outside Wound
Cutter Size	5dia
Rads	none
Background Colour	White
Adhesive Type	Permanent
Unit of Issue	5000 Labels per roll
Core Size	76
Other	

 Tel: 01495 273519 Fax: 01495 272979	<b>TITLE</b> LBC-FAR-10468	<b>REV</b> 01	<b>DRAWN BY</b> RBP 23/02/07	<b>DRAWING No.</b> CON647
	<b>MODIFICATION</b>		<b>DATE</b>	<b>PLAN No.</b> 07/073 07/074 cutter
	<b>APPROVED BY</b>		<b>DATE</b>	<b>FOLDER</b> FARNELL FEB 07

## X-ON Electronics

Largest Supplier of Electrical and Electronic Components

*Click to view similar products for te connectivity manufacturer:*

Other Similar products are found below :

[570416-000](#) [CLTEQ-M81CE-SSRELAY-4-20V](#) [4-1633138-8](#) [D38999/24FJ4AN](#) [4-1195131-0](#) [650069-000](#) [SMD100-2](#) [2EDL4CM](#)  
[DTS20W19-11PD-3028](#) [DTS20W19-11PD-3028-LC](#) [DTS20W19-32SD-3028-LC](#) [DTS20W19-32SD-3028](#) [NC6-P104-06](#) [TXR64AB90-](#)  
[3616AI](#) [DTS26F21-41HE](#) [DTS26F21-41AE](#) [DTS26F21-41PE-LC](#) [DTS26F21-11SE-3028-LC](#) [D38999/24WF32JE](#) [D38999/24WF32SE-LC](#)  
[DTS24W19-32HE](#) [D38999/20JB35HA](#) [D38999/24WJ20PA](#) [164-8033-08](#) [D38999/24FF32JE](#) [D38999/24FF32SE-LC](#) [D38999/24WF32JB](#)  
[D38999/24WG11HA](#) [D38999/24WG11HN](#) [MS27467T21F11H](#) [DJT16E21-11HA](#) [DTS24F19-32HE](#) [DTS20W19-32SA-3028-LC](#) [DTS24F19-](#)  
[11SC-3028-LC](#) [DTS24F19-11SC-3028](#) [DJT14E13-98HB](#) [D38999/20WC8BB](#) [1-330599-5](#) [DTS24F21-41HN-LC](#) [DTS24F21-41HN](#)  
[DTS24F21-41AN](#) [DTS24F21-39HN](#) [DTS24F21-41PN-LC](#) [AFD50-10-6SN-1A-LC](#) [DJT10F17-26HC](#) [DTS24W19-32HB](#) [ACT20JE99HA](#)  
[DJT10E17-26HC](#) [DJT10E17-26HN](#) [DJT10F17-26HA](#)