

STEGOJET

SJ 019



- > Prevents heat pockets
- > Wide voltage range
- > Compact design

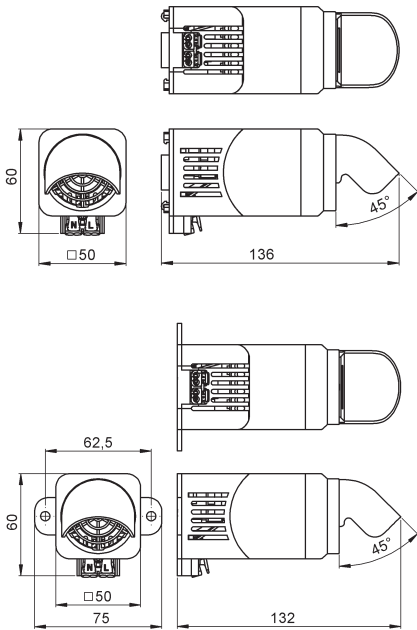
- > Quick connection
- > Clip or screw fixing

The STEGOJET is a compact, powerful built-in-fan. It allows precise cooling of heat sources and the air flow prevents formation of heat pockets. Its design offers a maximum rotation range with an air output in almost any direction. On one hand the dual clip system (two clips in a 90° angle) allows four different positions on a DIN rail, while on the other hand the hinge in the housing can be moved in a 40° angle. The airflow at the air outlet can also be directed in a 45° angle and the air duct can be turned 360°.

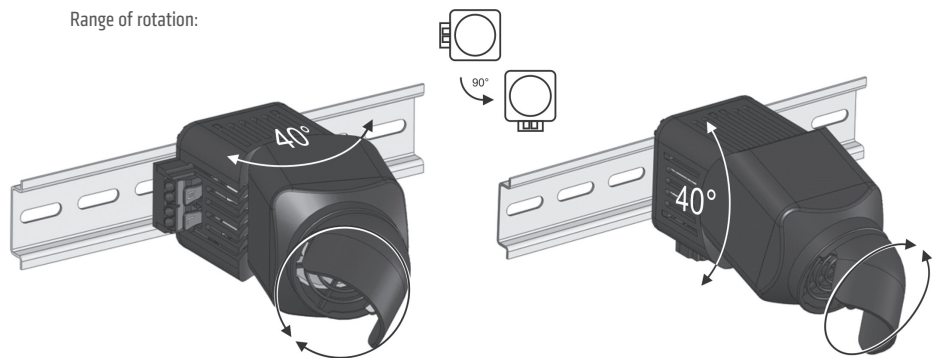


TECHNICAL DATA

Axial fan, ball bearing	air flow 27.6m ³ /h, free flow service life 40,000h at +60°C (+140°F), 90% RH
Power consumption	4W
Connection	2-pole dual pressure clamp for rigid wire 2.5mm ² , stranded wire (with wire end ferrule) 1.5mm ²
Casing	plastic according UL94 V-0, black
Mounting	clip for 35mm DIN rail, EN 60715 or screw fixing (M5), torque 2Nm max., washers have to be used
Fitting position	variable
Dimensions	132 x 75 x 60mm
Weight	approx. 0.2kg
Operating/Storage temperature	-10 to +60°C (+14 to +140°F)/-30 to +70°C (-22 to +158°F)
Operating/Storage humidity	max. 90% RH (non-condensing)
Protection type/Protection class	IP20 / II (double insulated)
Approvals	VDE + UL intended



Range of rotation:



Art. No.	Model	Operating voltage
01925.0-00	Clip fixing	100-240VAC, 50/60Hz (min. 90VAC, max. 265VAC)
01925.0-01	Screw fixing	100-240VAC, 50/60Hz (min. 90VAC, max. 265VAC)

X-ON Electronics

Largest Supplier of Electrical and Electronic Components

Click to view similar products for [stego](#) manufacturer:

Other Similar products are found below :

[01870.0-30](#) [01872.0-30](#) [01873.0-30](#) [01874.0-30](#) [11884.0-30](#) [14003.0-00](#) [01925.0-00](#) [11870.0-00](#) [11873.0-00](#) [02541.1-03-0003](#) [03082.0-01](#)
[03082.0-00](#) [03084.0-00](#) [01131.2-01](#) [02031.0-00](#) [02032.0-00](#) [02035.0-10](#) [02540.0-03](#) [01131.9-00](#) [08605.0-00](#) [03114.0-00](#) [01871.1-30](#)
[01925.1-01](#) [12101.0-30](#) [01163.0-01](#) [01163.0-03](#) [01164.0-00](#) [01170.0-01](#) [01170.9-01](#) [08601.0-00](#) [01882.0-00](#) [14006.0-00](#) [14008.0-00](#)
[01802.0-00](#) [02820.0-06](#) [02701.0-00](#) [04640.0-00](#) [06020.0-00](#) [11802.0-00](#) [02540.0-00](#) [03202.9-00](#) [244358](#) [01131.2-00](#) [01610.0-01](#) [01231.1-](#)
[00](#) [28410.0-00](#) [244356](#) [01185.1-00](#) [02034.0-00](#) [02540.1-11](#)