

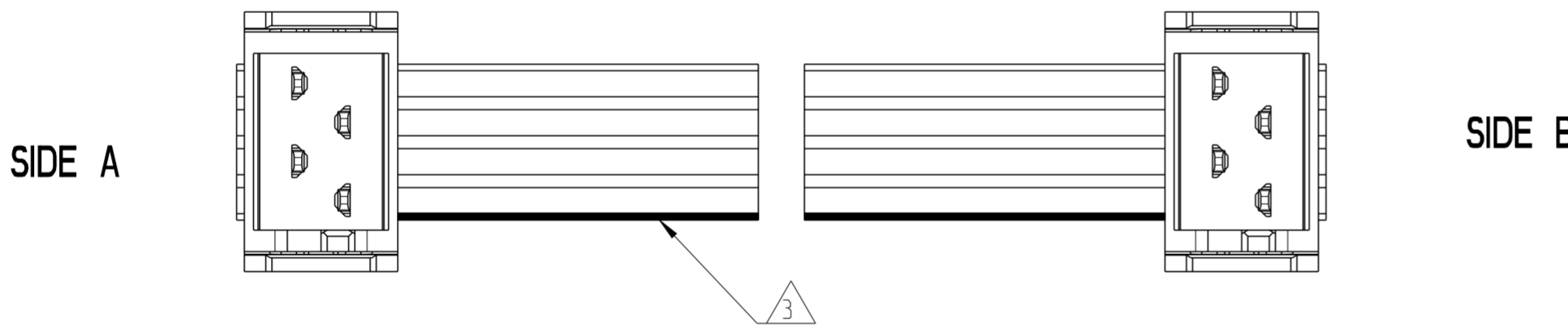
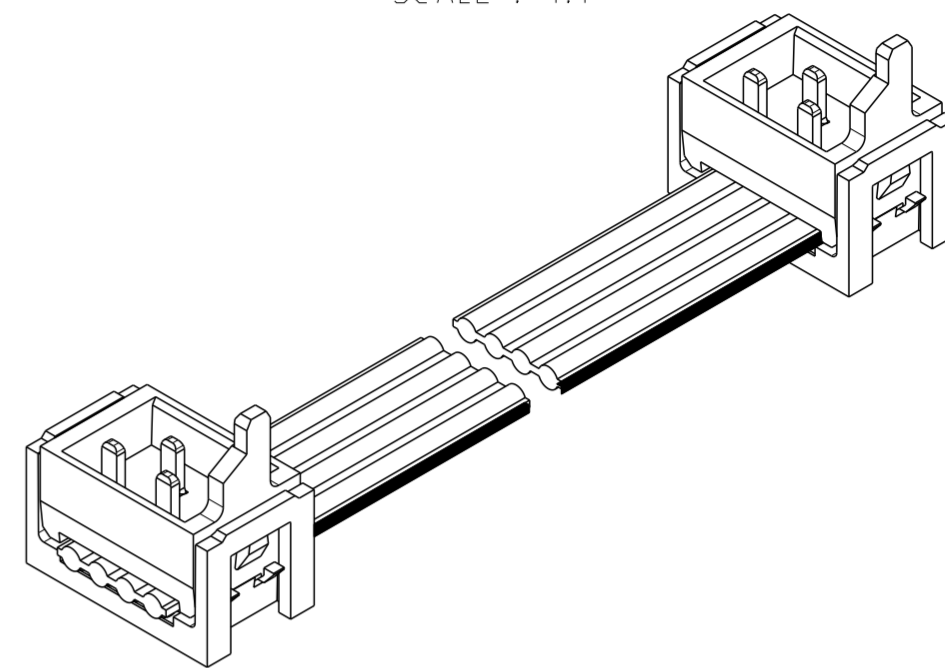
THIS DRAWING IS UNPUBLISHED. RELEASED FOR PUBLICATION 20
 © COPYRIGHT 20 BY - ALL RIGHTS RESERVED.

REVISIONS					
P	LTR	DESCRIPTION	DATE	DWN	APVD
	A	INITIAL RELEASE	14OCT2014	RK	BvH

NOTES:

- 1 ASSEMBLIES TO BE TESTED FOR 100% CONTINUITY
- 2 ASSEMBLIES ARE PACKAGED ACCORDING PACKAGING SPEC 107-19582
- 3 RED MARKED CORRESPONDS TO PIN 1
- 4 FOR MOW TO PB SEE 2205068
- 5 HOUSING COLOR BLACK

SCALE : 4:1



2205103-X (4 POSITION CABLE ASSEMBLY) AS SHOWN

TE PN	POS	LENGTH	DESCRIPTION
2205111-3	20	200	CA MICRO-MATCH MOW -MOW 20POS
2205111-2	20	150	CA MICRO-MATCH MOW -MOW 20POS
2205111-1	20	75	CA MICRO-MATCH MOW -MOW 20POS
2205110-3	18	200	CA MICRO-MATCH MOW -MOW 18POS
2205110-2	18	150	CA MICRO-MATCH MOW -MOW 18POS
2205110-1	18	75	CA MICRO-MATCH MOW -MOW 18POS
2205109-3	16	200	CA MICRO-MATCH MOW -MOW 16POS
2205109-2	16	150	CA MICRO-MATCH MOW -MOW 16POS
2205109-1	16	75	CA MICRO-MATCH MOW -MOW 16POS
2205108-3	14	200	CA MICRO-MATCH MOW -MOW 14POS
2205108-2	14	150	CA MICRO-MATCH MOW -MOW 14POS
2205108-1	14	75	CA MICRO-MATCH MOW -MOW 14POS
2205107-3	12	200	CA MICRO-MATCH MOW -MOW 12POS
2205107-2	12	150	CA MICRO-MATCH MOW -MOW 12POS
2205107-1	12	75	CA MICRO-MATCH MOW -MOW 12POS
2205106-3	10	200	CA MICRO-MATCH MOW -MOW 10POS
2205106-2	10	150	CA MICRO-MATCH MOW -MOW 10POS
2205106-1	10	75	CA MICRO-MATCH MOW -MOW 10POS
2205105-3	8	200	CA MICRO-MATCH MOW -MOW 8POS
2205105-2	8	150	CA MICRO-MATCH MOW -MOW 8POS
2205105-1	8	75	CA MICRO-MATCH MOW -MOW 8POS
2205104-3	6	200	CA MICRO-MATCH MOW -MOW 6POS
2205104-2	6	150	CA MICRO-MATCH MOW -MOW 6POS
2205104-1	6	75	CA MICRO-MATCH MOW -MOW 6POS
2205103-3	4	200	CA MICRO-MATCH MOW -MOW 4POS
2205103-2	4	150	CA MICRO-MATCH MOW -MOW 4POS
2205103-1	4	75	CA MICRO-MATCH MOW -MOW 4POS

THIS DRAWING IS A CONTROLLED DOCUMENT.

DWN RAVINDRA K 14OCT2014
 CHK B. VELDHOVEN 14OCT2014
 APVD G. DOREMALEN VAN 14OCT2014

STE TE Connectivity

NAME: CABLE ASSY MICRO-MATCH MOW -MOW VALUE-LINE

PRODUCT SPEC: -
 APPLICATION SPEC: -
 WEIGHT: -

SIZE: A2 CAGE CODE: - DRAWING NO: C-2205103 RESTRICTED TO: -

Customer Drawing SCALE: 5:1 SHEET: 1 OF 1 REV: A

X-ON Electronics

Largest Supplier of Electrical and Electronic Components

Click to view similar products for [Ribbon Cables / IDC Cables](#) category:

Click to view products by [TE Connectivity](#) manufacturer:

Other Similar products are found below :

[FSK-12A Ribbon Cable, 6 Pin, 500mm](#) [AWG28-10G EHV3C EHV4C EHV5C](#) [cab-LVDV-PWR-10-15 FSP-25A Ribbon Cable, 4 Pin, 350mm](#)
[Ribbon Cable, 6 Pin, 300mm](#) [cab-LVDV-DAT-34-15](#) [49635-C62-S2](#) [1-3636-600-5204](#) [92315-1408](#) [100063-0094](#) [100063-0106](#) [100063-0102](#)
[100063-0104](#) [MMSD-02-20C-F-15.00-S-K](#) [100063-0099](#) [100063-0105](#) [100063-0095](#) [100063-0103](#) [100063-0093](#) [100063-0091](#) [2200000068](#)
[100063-0092](#) [100063-0101](#) [100063-0100](#) [100063-0097](#) [TFSDT-08-28-H-15.00-S](#) [S1SD-02-30-GF-09.00-L](#) [MMSD-02-22C-F-15.00-S-K](#)
[S1SS-02-28C-GF-02.00-L](#) [S1SDT-02-28-GF-03.00-L](#) [2-1589735-3](#) [JSM015PP2DCC23N](#) [92301-0283](#) [TCSD-22-D-26.00-01](#) [S1SST-07-30-](#)
[GF-06.00-L](#) [T2SD-20-24-L-07.87-TR-NUS](#) [DS1057-01-44A282R-30.5](#) [FFSD-06-S-17.00-01-N](#) [IDSS-03-D-20.00-T](#) [TCMD-17-S-36.00-01-](#)
[SR](#) [92301-0718](#) [839023](#) [490107670612S](#) [MMSDT-06-20-S-05.5-D-K-LDX](#) [IDD-04-G](#)