

9000 series

Momentary pushbutton switches

Distinctive features and specifications



- Two case lengths
- Three electrical functions
- Sealing options
- Model X1146 with Ø 16 (.630) bushing

B2

ELECTRICAL SPECIFICATIONS

- Max. current/voltage rating with resistive load :
 - silver contact (A) : 1A 30VDC
 - gold plated contacts (CD) : 100mA 30VDC
- Initial contact resistance : 50 mΩ max.
- Insulation resistance : 1.000 MΩ min. at 500VDC
- Dielectric strength :
 - 1.000 Vrms 50 Hz min. between terminals
 - 1.500 Vrms 50 Hz min. between terminals and frame
- Electrical life : 250.000 cycles

MATERIALS

- Case : thermoplastique UL94-V0
- Actuator : polyamide, glass filled
- Bushing : brass, nickel plated
- Contacts :
 - A : silver
 - CD : brass, gold plated
- Terminal seal : epoxy

GENERAL SPECIFICATIONS

- Total travel :

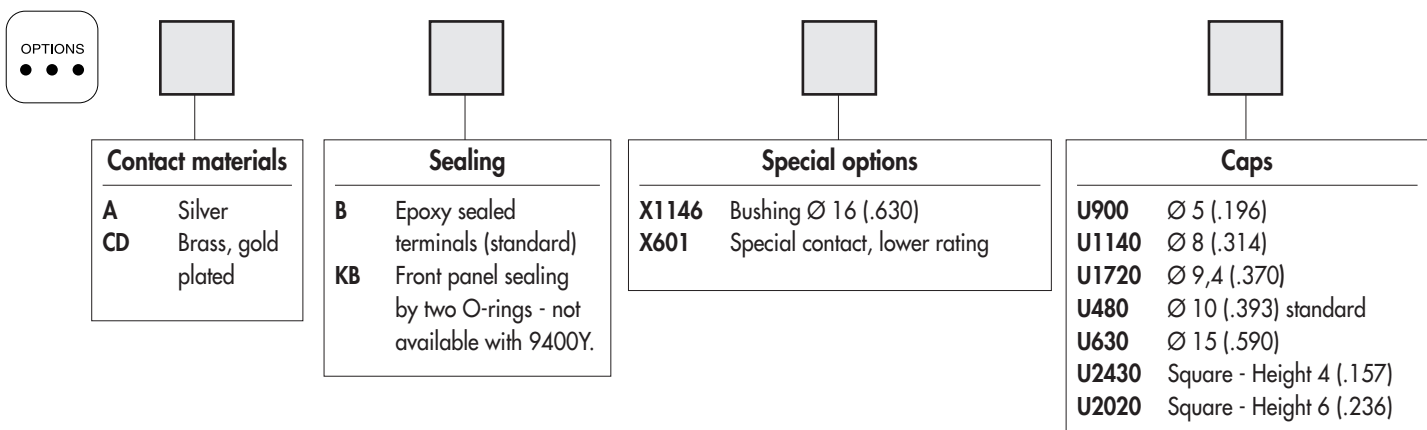
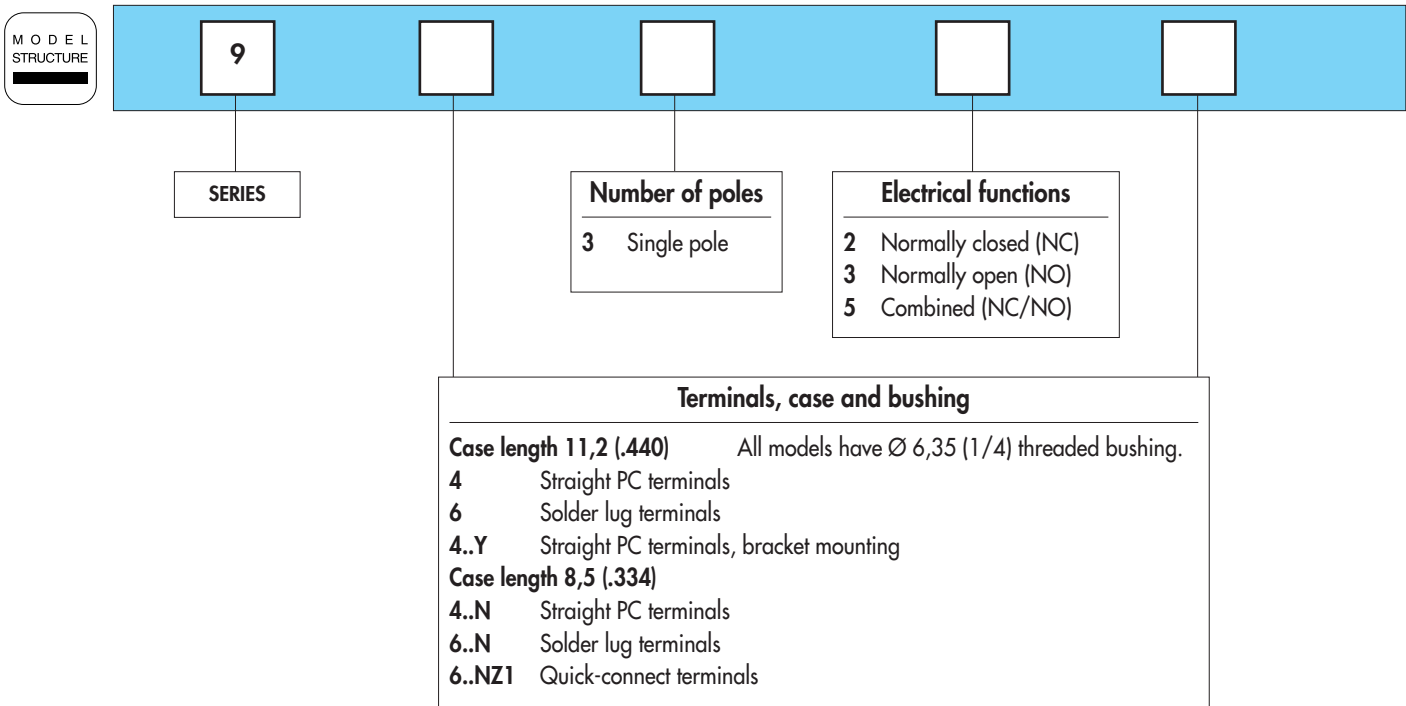
9600-9400-9400Y		9600N-9400N
Functions 3 and 5	Function 2	Function 3
1,3 mm	2 mm	0,9 mm

- Torque : 1,25 Nm (.922 Ft.lb) max. applied to nut
- Operating temperature : -30°C to +65°C

9000 series

Momentary pushbutton switches

Overview



ABOUT THIS SERIES

On the following pages, you will find successively :

- model structure of switches
- their options in the same order as in above chart

Dimensions : first dimensions are in mm while inches are shown as bracketed numbers.



NOTICE : please note that not all combinations of above numbers are available. Refer to the following pages for further information.



Sealing boots are available to protect the switches against dust and water. They are presented in section H.



Mounting accessories : standard hardware supplied with all switches : 2 hex nuts 8 mm (.314) across flats and 1 lockwasher. Standard and special hardware available are presented in section I.

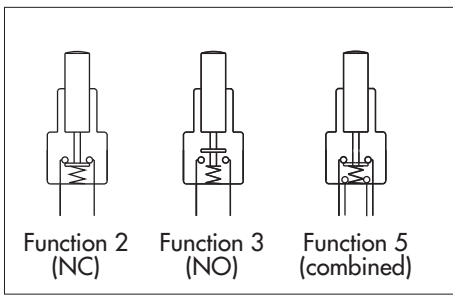
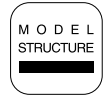


Packaging unit : 50 pieces, except for 9400Y (25 pieces)

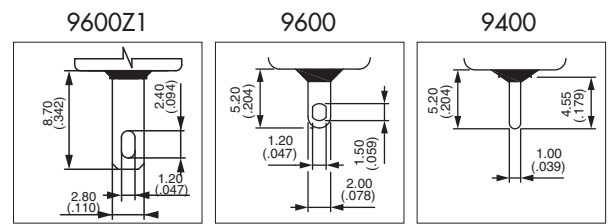
9000 series

Momentary pushbutton switches

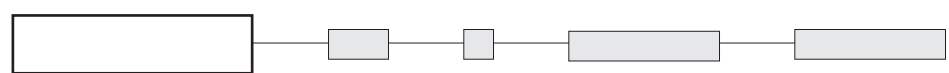
9600 - 9400 - 9400Y



- Single pole
- Solder lug or straight PC terminals
- Epoxy sealed terminals



MODEL STRUCTURE

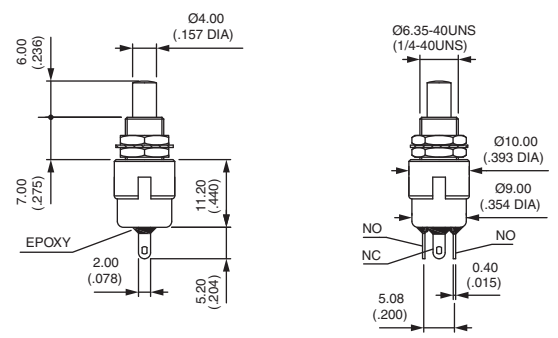


B2

Solder lug terminals - case length 11,2 (.440) : 9600



- | | | |
|--------------|--|-------------------|
| 9632B | | Normally Closed |
| 9635B | | Combined function |

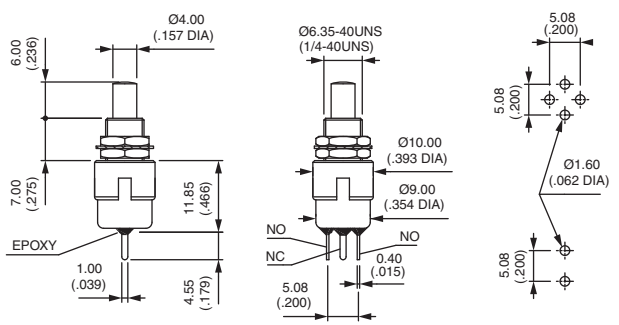


For Normally Open (function 3), see next page.

Straight PC terminals - case length 11,2 (.440) : 9400



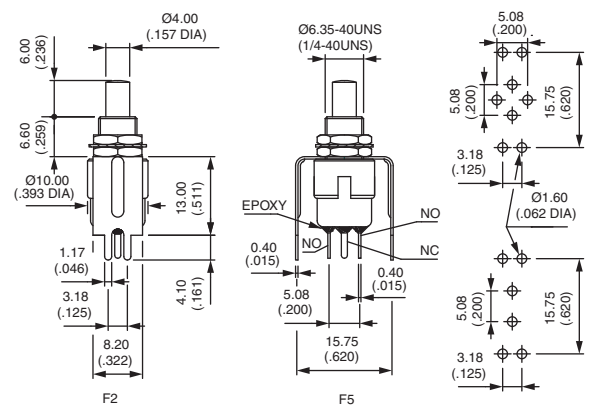
- | | | |
|--------------|--|-------------------|
| 9432B | | Normally Closed |
| 9433B | | Normally Open |
| 9435B | | Combined function |



Bracket mounting - case length 11,2 (.440) : 9400Y



- | | | |
|---------------|--|-------------------|
| 9432YB | | Normally Closed |
| 9433YB | | Normally Open |
| 9435YB | | Combined function |



The bracket is not fastened to the switch.



9000 series

Momentary pushbutton switches

9600N - 9400N

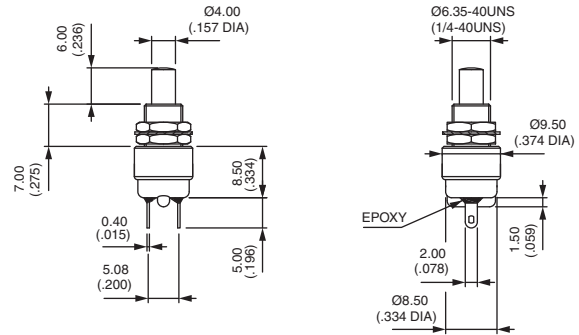
Solder lug terminals - case length 8,5 (.334) : 9600N



9633NB



Normally Open



Also available with quick-connect terminals 2,8 x 0,5 mm : 9633NZ1

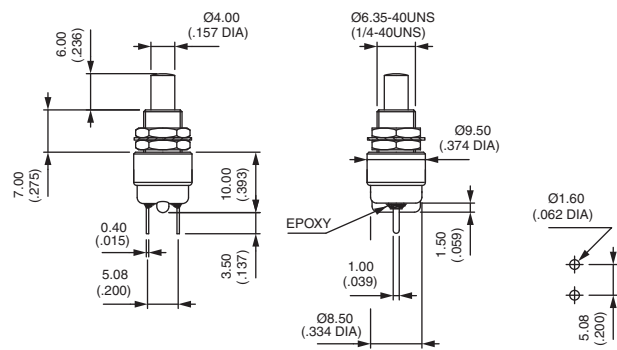
Straight PC terminals - case length 8,5 (.334) : 9400N



9433NB

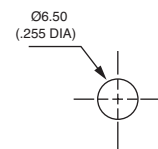


Normally Open



B2

PANEL CUT-OUT



Bushing Ø 16 (.630) - metal button : 9633•X1146



Silver contacts
9633AX1146

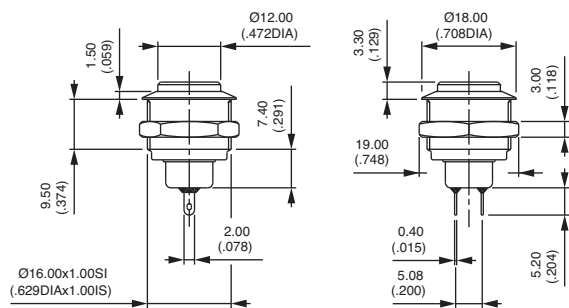


Normally open

Gold plated silver contacts
9633ADX1146



Normally open



Hex nut 19 (.748) across flats

Panel cut-out : Ø 16,2 (.637)

Max. current/voltage rating. : 1A 30VDC

Epoxy sealed terminals. Options of the following pages not applicable.

9000 series

Momentary pushbutton switches



CONTACT MATERIALS



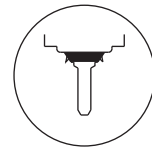
- A** Silver
CD Brass, gold plated

Special contact, lower rating : see X601 under "Special options".

SEALING



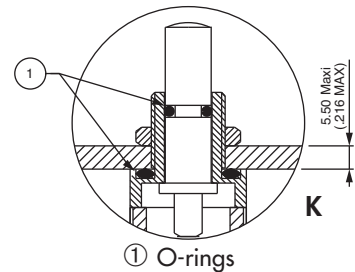
- B** Epoxy sealed terminals (standard)



- KB** Combined sealings
Epoxy sealed terminals + front panel sealing by two O-rings.
Protects the switch against water and dust.
Panel seal withstands 0,1 bar pressure.



Option KB not available on 9400Y model.



Sealing boots : see section H.

SPECIAL OPTIONS



- X601** **Silver plated brass contacts**
Current/voltage rating for an electrical life of 20.000 cycles : 0,5A 30VDC.
Minimum quantity : 5.000 pieces per model and shipment.

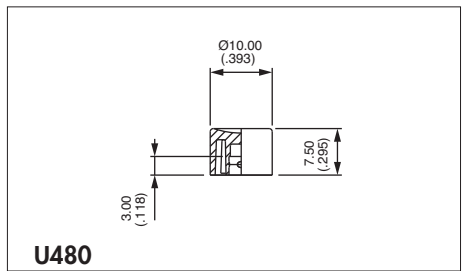
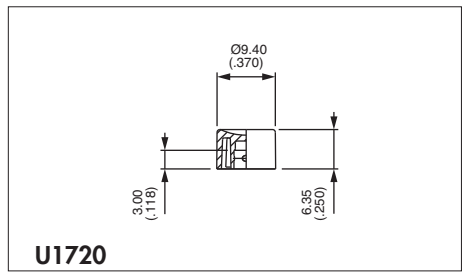
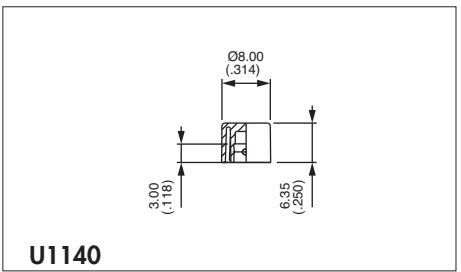
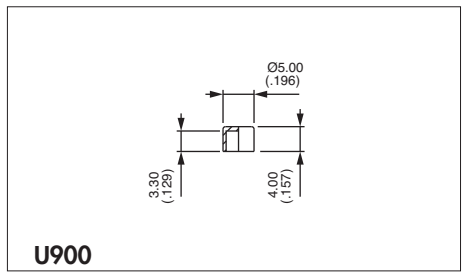
- X1146** **Model with dia. 16 (.630) bushing and metal plunger**
See previous page.



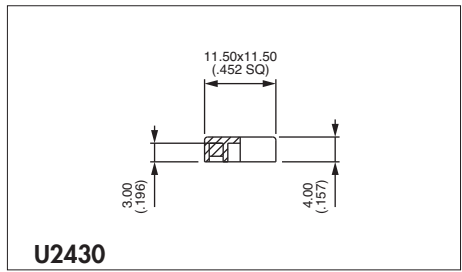
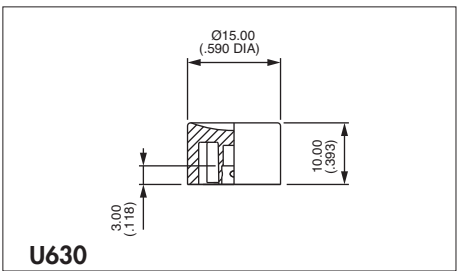
9000 series

Momentary pushbutton switches

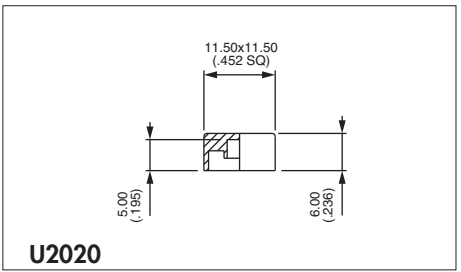
CAPS



Standard



Square



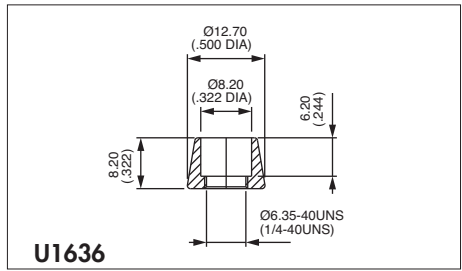
Square

Cap colours	
Replace last "0" by number	
1	blue
1/4	dark blue
2	black
3	green
4	grey
5	yellow
6	red
7	ivory
7/1	white
9	orange

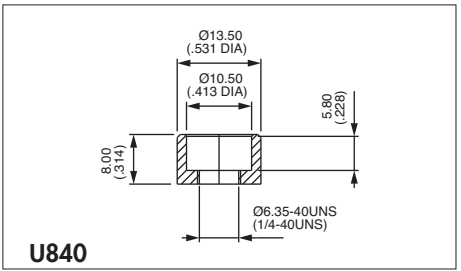
B2

DRESS NUTS

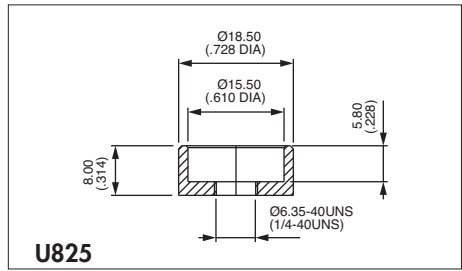
Chrome plated. Order separately.



For cap U1140



For cap U480



For cap U630



9000 series

Alternate action or momentary pushbutton switches

Distinctive features and specifications



□ Bushing Ø 6,35 (1/4) and 11,9 (15/32)

□ Two electrical functions

B2

ELECTRICAL SPECIFICATIONS

- Max. current/voltage rating with resistive load and electrical life :
 - silver contacts (A) : 1A 28VDC - 250.000 cycles
3A 28VDC - 10.000 cycles
 - gold plated contacts (CD) : 0,4VA 20V max. AC or DC
- Initial contact resistance : 10 mΩ max. at 0,1A 3VDC
- Insulation resistance : 10.000 MΩ min.
- Dielectric strength :
1.000 Vrms 50 Hz min.

MATERIALS

- Case : diallyphthalate
- Actuator : nylon
black for series 9630M
white for series 9631
- Bushing : brass, nickel plated
- Contacts :
 - A : silver
 - CD : brass, gold plated
- Terminal seal : epoxy

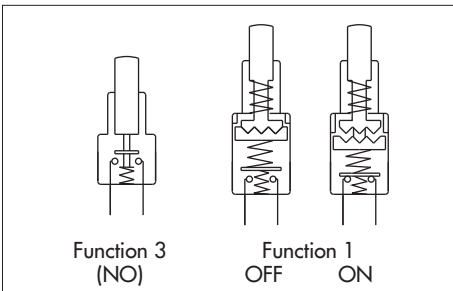
GENERAL SPECIFICATIONS

- Operating temperature : -30°C to +85°C
- Travels : see table below.

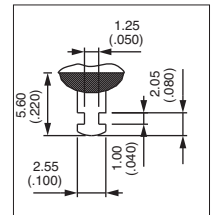
MODELS	9631	9633M
Total travel	3,48 (.137)	2,79 (.110)
Pre-travel	0,66 (.026)	-
Over travel	2,69 (.106)	0,51 (.020)

9000 series

Alternate action or momentary pushbutton switches



- Single pole
- Solder lug terminals
- Epoxy sealed terminals



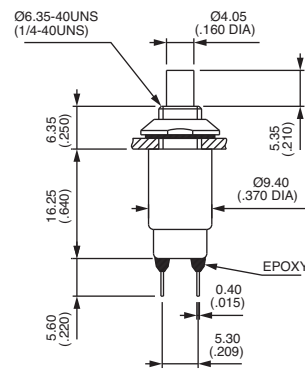
B2

Bushing Ø 6,35 (1/4) - Alternate action - tactile feedback



Gold plated contacts
9631CDB ON - OFF

Silver contacts
9631AB ON - OFF

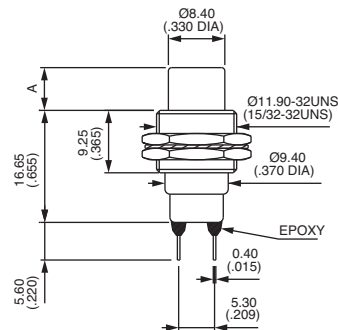


Standard hardware : 1 conic nut and 1 lockwasher

Bushing Ø 11,9 (15/32) - front or rear mounting - NO



9633MCDB Normally open



MODEL	A
9633M	6.35 (.250)

Standard hardware : 2 hex nuts 14 mm (.551) across flats and 1 lockwasher

X-ON Electronics

Largest Supplier of Electrical and Electronic Components

Click to view similar products for [apem](#) manufacturer:

Other Similar products are found below :

[48](#) [TW11GRY1](#) [SLB13814](#) [SLC120025](#) [DA04T](#) [Q6F1CXXB24](#) [SLG12004](#) [SLB1281R5](#) [DPL-02](#) [DA08](#) [5D15F1534](#) [M11L0A1M](#)
[M11L0B1M](#) [M21L0E1C](#) [M31L0M1M](#) [CW-A0BK1A00A0](#) [MAB6B](#) [A019101](#) [A019305](#) [A019409](#) [A029301](#) [A1PCA0X106J103](#)
[Q16F1BXXR12E](#) [Q22F1BXXY12E](#) [Q22F1CXXB24E](#) [Q22F1CXXG12E](#) [Q8P1BXXY110E](#) [Q8P3BXXG12E](#) [Q8P7BZZRYG12E](#)
[Q8R3BXXG02E](#) [121442RA](#) [HF-33S10](#) [HF44R11](#) [HF45R10](#) [HFX44S00](#) [DMR10](#) [DSR04T](#) [AV0830C900](#) [AV19810KMZB](#) [MSS22](#)
[BD150A01RE0000](#) [BD150D02BK1200](#) [HS1T24GA](#) [1D09034](#) [1Z03](#) [1ZZ](#) [NZAA0477](#) [NZAA1475](#) [NZAB1475](#) [NZAB1477](#)