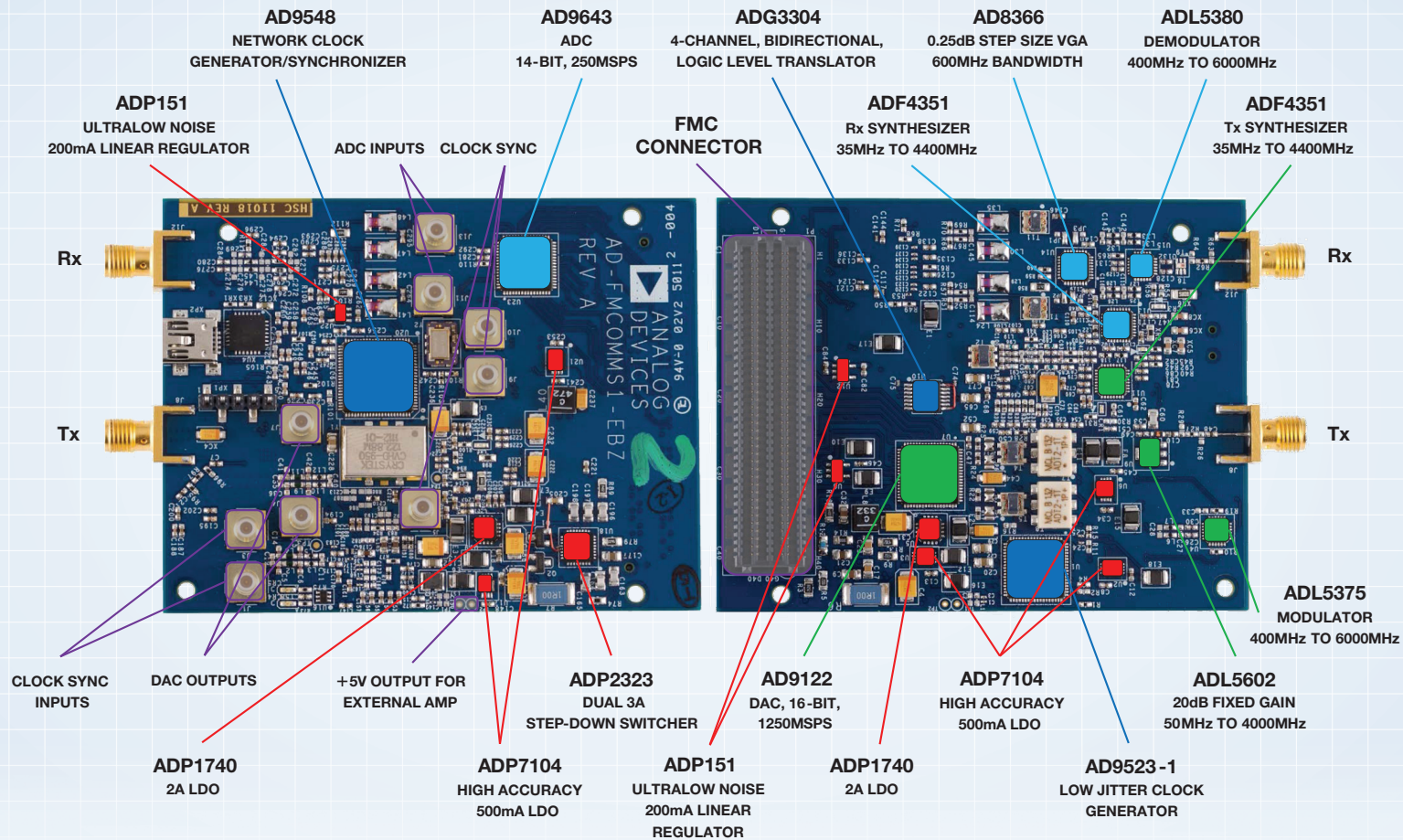


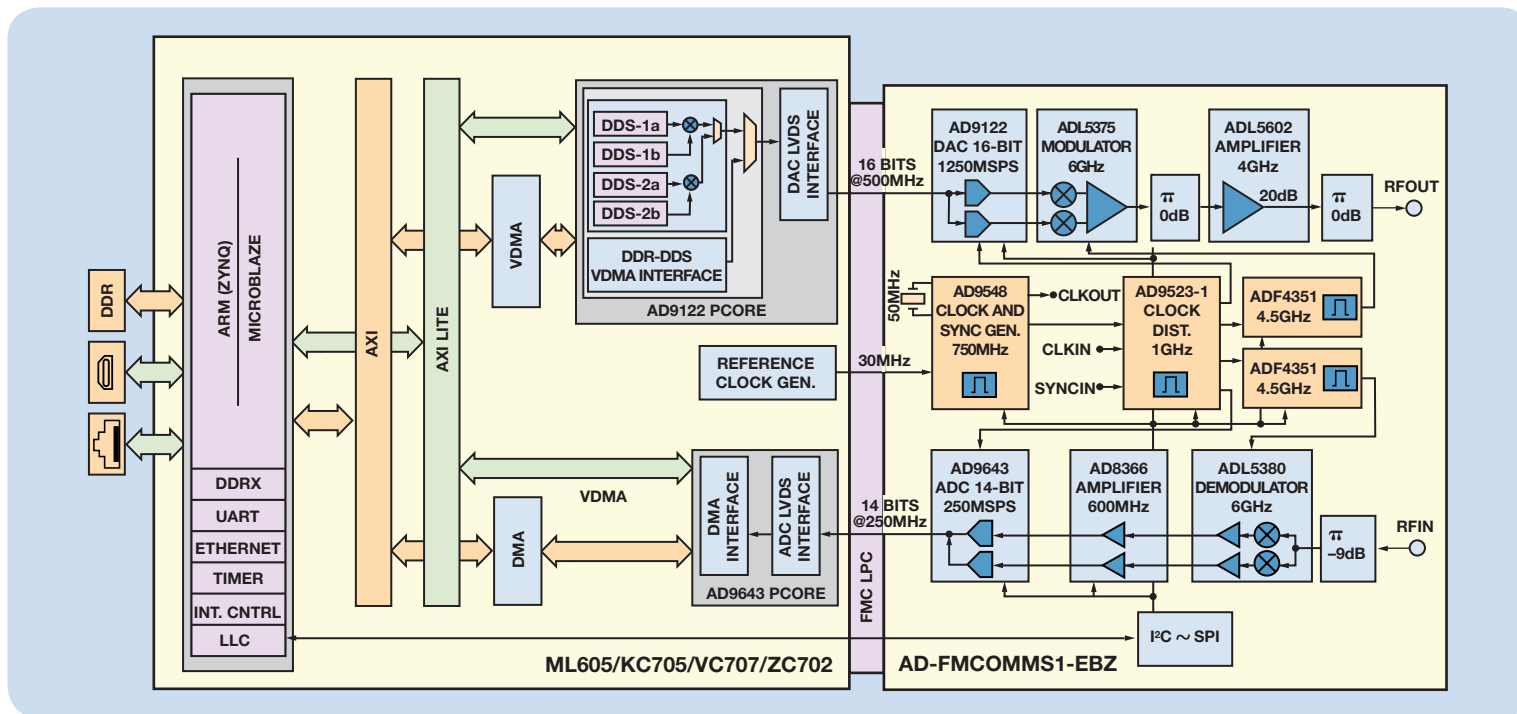
Analog Devices FMC—Communications Board

Analog Connectivity with Xilinx® Zynq™



www.analog.com





Analog Devices, Inc.
Worldwide Headquarters
 Analog Devices, Inc.
 One Technology Way
 P.O. Box 9106
 Norwood, MA 02062-9106
 U.S.A.
 Tel: 781.329.4700
 (800.262.5643,
 U.S.A. only)
 Fax: 781.461.3113

Analog Devices, Inc.
Europe Headquarters
 Analog Devices, Inc.
 Wilhelm-Wagenfeld-Str. 6
 80807 Munich
 Germany
 Tel: 49.89.76903.0
 Fax: 49.89.76903.157

Analog Devices, Inc.
Japan Headquarters
 Analog Devices, KK
 New Pier Takeshiba
 South Tower Building
 1-16-1 Kaigan, Minato-ku,
 Tokyo, 105-6891
 Japan
 Tel: 813.5402.8200
 Fax: 813.5402.1064

Analog Devices, Inc.
Southeast Asia Headquarters
 Analog Devices
 22/F One Corporate Avenue
 222 Hu Bin Road
 Shanghai, 200021
 China
 Tel: 86.21.2320.8000
 Fax: 86.21.2320.8222

Target Applications

- Wireless communications infrastructure demonstrator
- Remote radio head
- Software-defined radio
- MIMO diversity receivers
- DPD feedback
- Satellite modems
- Test and measurement equipment
- Radar and advanced imaging
- General-purpose data acquisition

Features

- Proven, tested kit includes:
 - Schematics, layout, BOM
 - HDL
 - Linux drivers, applications software
- Software-tunable across wide bandwidth
 - 400 MHz to 4 GHz design
 - 200 MHz bandwidth
- Phase/frequency synchronization on Tx and Rx
- Bypass RF section for baseband sampling
- Low power

Benefit

- Commercially available from Avnet®
- Example reduces risk for high performance FPGA/analog/RF SDR
- Customizable to any frequency with no hardware changes
- Wide bandwidth
- Allows high channel density
- Supports MIMO radio
- General-purpose platform
- Powered from single FMC connector



Scan the QR code to visit the Xilinx Web page.

www.analog.com

©2012 Analog Devices, Inc. All rights reserved.
 Trademarks and registered trademarks are the property of their respective owners.
 BR10719-.25-5/12



X-ON Electronics

Largest Supplier of Electrical and Electronic Components

Click to view similar products for [RF Development Tools](#) category:

Click to view products by [Analog Devices](#) manufacturer:

Other Similar products are found below :

[MAAP-015036-DIEEV2](#) [EV1HMC1113LP5](#) [EV1HMC252AQS24](#) [EV1HMC6146BLC5A](#) [EV1HMC637ALP5](#) [EVAL01-HMC1048LC3B](#)
[EVAL01-HMC661LC4B](#) [EVAL-ADF7020-1DBZ4](#) [EVAL-ADF7020-1DBZ5](#) [EVAL-ADF7020-1DBZ6](#) [EVAL-ADF7021DB9Z](#) [EVAL-](#)
[ADF7021DBJZ](#) [EVAL-ADF7021DBZ2](#) [EVAL-ADF7021DBZ6](#) [EVAL-ADF7021-NDBZ2](#) [EVAL-ADF7021-VDB3Z](#) [EVAL-ADF7023DB3Z](#)
[EVAL-ADF7023-JDB3Z](#) [EVAL-ADF70XXEKZ1](#) [EVAL-ADF7241DB1Z](#) [F0440EVBI](#) [F1241EVBI](#) [F1423EVB-DI](#) [F1423EVB-SI](#)
[F1701EVBI](#) [F1751EVBI](#) [F2250EVBI](#) [MICRF219A-433 EV](#) [122410-HMC686LP4E](#) [AD6679-500EBZ](#) [126223-HMC789ST89E](#) [ADL5363-](#)
[EVALZ](#) [ADL5369-EVALZ](#) [130437-HMC1010LP4E](#) [131352-HMC1021LP4E](#) [131372-HMC951LP4E](#) [130436-HMC1010LP4E](#)
[DEMOBOARD-U2790B](#) [ATR2406-PNQW](#) [EKIT01-HMC1197LP7F](#) [Si4705-D60-EVB](#) [Si4835-Demo](#) [LMV228SDEVAL](#) [SKYA21001-EVB](#)
[SMP1331-08-EVB](#) [EV1HMC618ALP3](#) [EV1HMC641ALC4](#) [EV1HMC8410LP2F](#) [EVAL_PAN4555ETU](#) [EVAL01-HMC1041LC4](#)