

220-04 and 220-14 High-Pressure Environmental/Hermetic Jam Nut Receptacle with Accessory Threads, Rear Mount

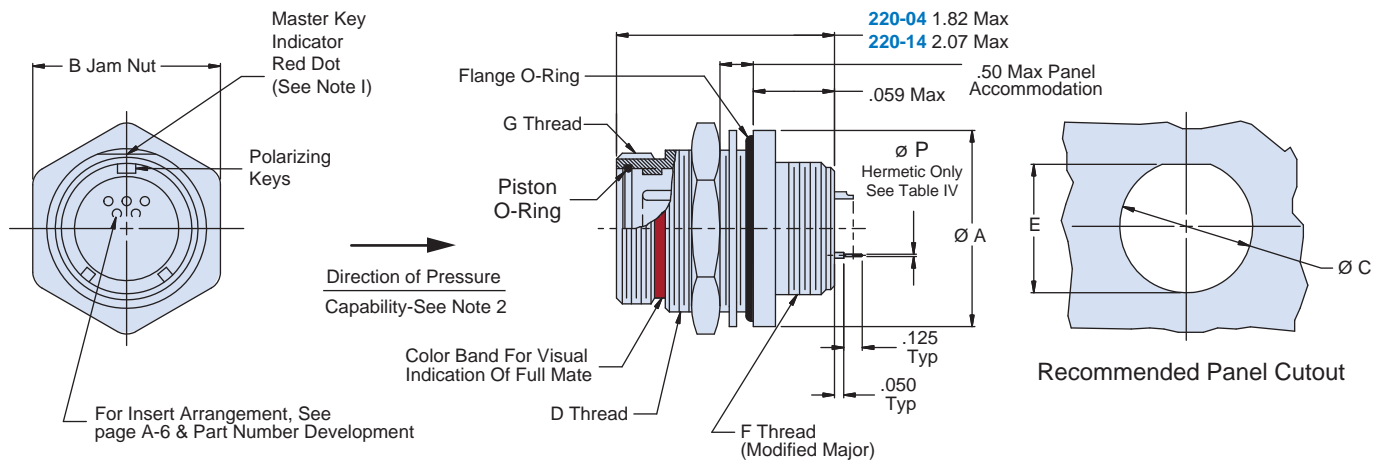
SERIES 22 RECEPTACLE IN STANDARD OR SCOOP-PROOF SHELL WITH PIN OR SOCKET CONTACTS



How To Order					
Sample Part Number	220-04	E	24-61	P	N
Series and Shell Style	220-04 - Standard 220-14 - Scoop-Proof				
Class	H = Hermetic E = Environmental				
Shell Size-Insert Arrangement	See page A-6				
Contact Style	P = Pins S = Sockets C = Pin, P.C. Term (Hermetic Only, See Table VI) D = Socket, P.C. Term (Hermetic Only, See Table VI)				
Polarization	N, 1, 2, 3, 4 See page A-6				

Prior to use, lubricate O-rings with high grade silicone lubricant (Moly-kote M55 or equivalent).

B



220-04 and 220-14 High-Pressure Environmental/Hermetic Jam Nut Receptacle with Accessory Threads, Rear Mount



Table II: Dimensions

A Dia	B Flats	C Dia ±.005±(0.1)	D Thread Class 2A
1.25 (31.8)	1.125 (28.6)	.885 (22.5)	7/8 - 20 UNEF
1.38 (35.1)	1.250 (31.8)	1.010 (25.7)	1 - 20 UNEF
1.50 (38.1)	1.500 (38.1)	1.135 (28.8)	1 1/8 - 16 UN
1.63 (41.4)	1.625 (41.3)	1.260 (32.0)	1 1/4 - 16 UN
1.75 (44.5)	1.750 (44.5)	1.385 (35.2)	1 3/8 - 16 UN
1.88 (47.8)	1.875 (47.6)	1.510 (38.4)	1 1/2 - 16 UN
2.00 (50.8)	2.000 (50.8)	1.635 (41.5)	1 5/8 - 16 UN
2.12 (53.8)	2.125 (54.0)	1.760 (44.7)	1 3/4 - 16 UN

Table II: Dimensions (continued)

Shell Size	E ±.005 ±(0.1)	F Thread Class 2A	G Thread Class 2A
10	.835 (21.2)	5/8 - 24 UNEF	.750 - .1P - .1L
12	.960 (24.4)	3/4 - 20 UNEF	.875 - .1P - .1L
14	1.085 (27.6)	7/8 - 20 UNEF	1.000 - .1P - .1L
16	1.210 (30.7)	1 - 20 UNEF	1.125 - .1P - .1L
18	1.335 (33.9)	1 1/8 - 16 UN	1.250 - .1P - .1L
20	1.460 (37.1)	1 1/4 - 16 U N	1.375 - .1P - .1L
22	1.585 (40.3)	1 3/8 - 16 UN	1.500 - .1P - .1L
24	1.710 (43.4)	1 1/2 - 16 UN	1.625 - .1P - .1L

Table IV

Contact Size	Ø P
22D	0.021 0.018
20	0.024 0.028
16	0.0635 0.0615
12	0.095 0.093

Table V: Replacement O-Ring
Part Numbers *

Shell Size	Piston O-Ring	Flange O-Ring
10	2-014	2-021
12	2-016	2-023
14	2-018	2-025
16	2-020	2-027
18	2-022	2-029
20	2-024	2-030
22	2-026	2-031
24	2-028	2-032

* Parker O-ring part numbers. Compound N674-70 or equivalent.



X-ON Electronics

Largest Supplier of Electrical and Electronic Components

Click to view similar products for [Circular MIL Spec Connector](#) category:

Click to view products by [Glenair](#) manufacturer:

Other Similar products are found below :

[89075GULPR](#) [0025-262-542](#) [0025-264-3014](#) [58-570121-04S](#) [0134-213-1208](#) [0134-213-2209](#) [0025-258-000](#) [60-042022-07P](#) [60-042022-19P](#)
[60-042022-23P](#) [60-042217-10P](#) [0114-201-1278](#) [012-0467-000](#) [602GB06EG24-61SN](#) [0134-201-1207](#) [0134-213-1006](#) [6104-207-2302](#) [6104-](#)
[208-1902](#) [61-168211-04P](#) [61-168617-10P](#) [6131-202-19149P](#) [6131-204-21149P](#) [6131-208-13149P](#) [6131-209-17149P](#) [6131-210-11149P](#) [6131-](#)
[211-19149P](#) [6131-216-19149P](#) [6131-259-21149P](#) [6131-259-23149P](#) [6131-265-17149P](#) [6131-265-19149P](#) [CS3100A18-1P-472](#) [CS3100A-36-](#)
[77P](#) [CS3101A-16-55P](#) [CS3102A-10SL-55P](#) [CS3102A-14S-58P](#) [CS3102A-32-17P](#) [CS3102A32-25S](#) [CS3102C18-4P-472](#)
[CS3106A10SL3S004](#) [CS3106A-18-73S](#) [CS3108A-14S-52S](#) [CS3108A-28-51S](#) [6162-233-1277](#) [6162-324-1231](#) [M243082296Z](#)
[M2884010AC1S1](#) [CT0-24-10SC](#) [CT0M20-7PCAU](#) [M28840/17AC1G3](#)