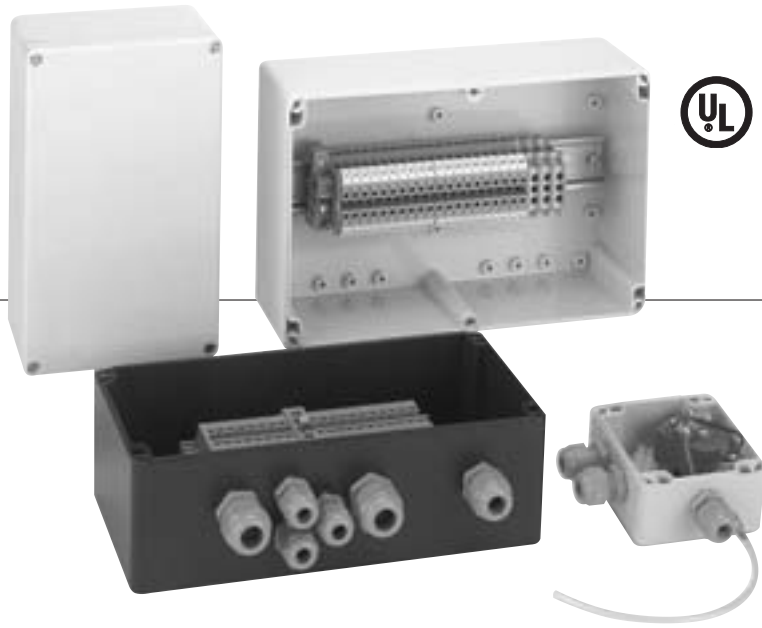


Polycarbonate and ABS enclosures with quick release lid screws CT series



The CT series of BERNSTEIN plastic enclosures are made from high-quality Polycarbonate or ABS. They are especially suitable for encapsulating electrical and electronic components or for use as complete compact control housings. All enclosures are optionally available with a transparent Polycarbonate lid. The enclosures meet protection class IP 65 as standard.

All CT enclosures are provided with mounting bosses moulded directly into the base. Components, mounting rails or other assemblies may be easily secured using the self-tapping screws provided. BERNSTEIN CT enclosures always contain centrally positioned bosses to attach DIN rails.

BERNSTEIN enclosures are also supplied with patented stainless steel quick release screws as standard (a unique BERNSTEIN innovation). The screw is simply pressed into the holes in the lid where they are automatically retained and a quarter turn firmly secures the lid to the base. A gasket is factory-fitted (for standard enclosures) to ensure IP 65 protection. BERNSTEIN Polycarbonate and ABS enclosures are supplied in RAL 7035 (light grey) as standard.

Technical data

Material

Polycarbonate, transparent
Polycarbonate or ABS

Gasket

Neoprene round seal (siliconised)
alternative:
Neoprene round seal (silicone-free)
Silicone round seal

Quick release screws

Stainless steel, self-locking, multi-purpose cross-head
alternative:
Stainless steel lid screw, multi-purpose cross-head
Lead-sealed steel lid screws (9 S 20 K) galvanised, slotted head

Colour

RAL 7035 (light grey)
alternative:
other colours on request

Temperature

-40 °C to +80 °C (neoprene gasket)
alternative:
-40 °C to +120 °C (silicone gasket)

Protection class

IP 65
alternative:
higher protection classes on request

Approval

UL: File E 182264 (only Polycarbonate enclosures)

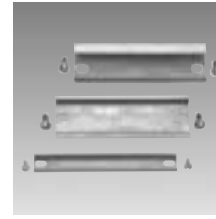
c CSA us: Zertifikat 1090797
(Enclosure NEMA Type 1, 4, 4X
Indoor, 12 and 13)



Accessories Polycarbonate and ABS enclosure



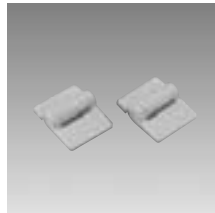
Mounting plates
Laminated paper (Pertinax) (thickness: CT-50 to CT-60: 1.5 mm; CT-62 to CT-78: 2.0 mm; CT-80 to CT-91: 2.5 mm), can be used for subsequent mounting of equipment.



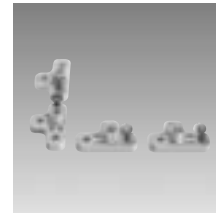
Mounting rails
Standard TS-15, TS-32 and TS-35 rails (steel); yellow-passivated for terminal block attachment.



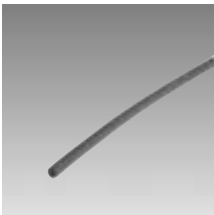
Earthing rails
Galvanised steel for connecting and routing protective earth connections.



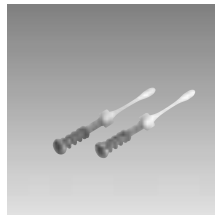
External hinges
Polycarbonate, for the hinged mounting of enclosure lids. Opening angle of lid approx. 195°, easy lock-in mechanism at 170°, easy assembly press-fit hinges. (CT-88: screw attachment).



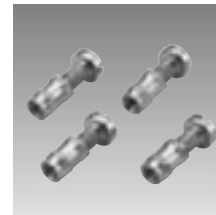
External attachment brackets
Polycarbonate, for mounting enclosures without opening the lid. Colour: RAL 7035.



Silicone lid gasket
Improved temperature range (-40 °C to +120 °C). Standard type made of silicone foam.



Flexible quick-release internal hinges
For enclosure lids, captive and strain-relieved. Opening angle of lid > 180°. Stainless steel with polyamide ends.



Brass press-fit bushes
With metric M3 attachment screws for mounting equipment with metric screws in the mounting bosses of the base (M4 for CT-88).

Product line overview of polycarbonate and ABS enclosures

Dimensions/mm L x W x H	Polycarbonate enclosures		Polycarbonate enclosures with transparent lid (PC)		ABS enclosures		ABS enclosures with transparent lid (PC)	
	Part number	Type	Part number	Type	Part number	Type	Part number	Type
52 x 50 x 35	250.0.0000.00	CT-501	250.1.0000.00	CT-501 T	350.0.0000.00	CT-502	350.1.0000.00	CT-502 T
65 x 50 x 35	252.0.0000.00	CT-521	252.1.0000.00	CT-521 T	352.0.0000.00	CT-522	352.1.0000.00	CT-522 T
82 x 80 x 55	254.0.0000.00	CT-541	254.1.0000.00	CT-541 T	354.0.0000.00	CT-542	354.1.0000.00	CT-542 T
82 x 80 x 85	256.0.0000.00	CT-561	256.1.0000.00	CT-561 T	356.0.0000.00	CT-562	356.1.0000.00	CT-562 T
120 x 80 x 55	258.0.0000.00	CT-581	258.1.0000.00	CT-581 T	358.0.0000.00	CT-582	358.1.0000.00	CT-582 T
120 x 80 x 85	260.0.0000.00	CT-601	260.1.0000.00	CT-601 T	360.0.0000.00	CT-602	360.1.0000.00	CT-602 T
160 x 80 x 55	262.0.0000.00	CT-621	262.1.0000.00	CT-621 T	362.0.0000.00	CT-622	362.1.0000.00	CT-622 T
160 x 80 x 85	264.0.0000.00	CT-641	264.1.0000.00	CT-641 T	364.0.0000.00	CT-642	364.1.0000.00	CT-642 T
122 x 120 x 55	266.0.0000.00	CT-661	266.1.0000.00	CT-661 T	366.0.0000.00	CT-662	366.1.0000.00	CT-662 T
122 x 120 x 85	268.0.0000.00	CT-681	268.1.0000.00	CT-681 T	368.0.0000.00	CT-682	368.1.0000.00	CT-682 T
160 x 120 x 90	272.0.0000.00	CT-721	272.1.0000.00	CT-721 T	372.0.0000.00	CT-722	372.1.0000.00	CT-722 T
200 x 120 x 75	276.0.0000.00	CT-761	276.1.0000.00	CT-761 T	376.0.0000.00	CT-762	376.1.0000.00	CT-762 T
200 x 120 x 90	278.0.0000.00	CT-781	278.1.0000.00	CT-781 T	378.0.0000.00	CT-782	378.1.0000.00	CT-782 T
240 x 120 x 100	280.0.0000.00	CT-801	280.1.0000.00	CT-801 T	380.0.0000.00	CT-802	380.1.0000.00	CT-802 T
200 x 150 x 75	282.0.0000.00	CT-821	282.1.0000.00	CT-821 T	382.0.0000.00	CT-822	382.1.0000.00	CT-822 T
240 x 160 x 90	284.0.0000.00	CT-841	284.1.0000.00	CT-841 T	384.0.0000.00	CT-842	384.1.0000.00	CT-842 T
240 x 160 x 120	286.0.0000.00	CT-861	286.1.0000.00	CT-861 T	386.0.0000.00	CT-862	386.1.0000.00	CT-862 T
250 x 160 x 90	290.0.0000.00	CT-901	290.1.0000.00	CT-901 T	390.0.0000.00	CT-902	390.1.0000.00	CT-902 T
250 x 160 x 120	291.0.0000.00	CT-911	291.1.0000.00	CT-911 T	391.0.0000.00	CT-912	391.1.0000.00	CT-912 T
360 x 200 x 150	288.0.0000.00	CT-881	288.1.0000.00	CT-881 T	388.0.0000.00	CT-882	388.1.0000.00	CT-882 T
300 x 230 x 86	287.0.0000.00	CT-871	287.1.0000.00	CT-871 T	387.0.0000.00	CT-872	387.1.0000.00	CT-872 T
300 x 230 x 110	289.0.0000.00	CT-891	289.1.0000.00	CT-891 T	389.0.0000.00	CT-892	389.1.0000.00	CT-892 T

Component overview polycarbonate/ABS enclosures

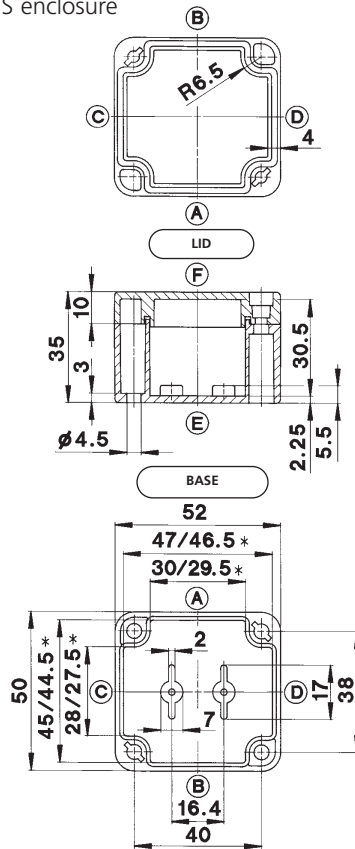
Model	Weidmüller			Phoenix				Wieland					Entelec						Phoenix					
	Block terminal			Block terminal				Block terminal					Terminal block						Terminal block					
Terminal width (mm):													5.2	6.2	5.2	6.2	8.2	10.2	5.2	6.2	7.5	5.2	6.2	8.2
Single-core mm ²	4	4	4	4	4	4	4	2.5	2.5	2.5	2.5	2.5	2.5	4	4	4	10	16	2.5	4	10	4	4	10
Stranded mm ²	4	4	4	4	4	4	4	2.5	2.5	2.5	2.5	2.5	1.5	4	2.5	4	6	10	1.5	4	6	2.5	4	6
Nominal voltage V	380	380	380	500	500	500	500	500	500	500	500	500	250	380	750	750	750	750	500	500	500	750	750	750
Loading capacity A	36	36	36	36	36	36	36	25	25	25	25	25	20	35	26	35	46	85	27	36	65	36	36	65
Terminal bridging	-	-	-	-	-	-	-	-	-	-	-	-	-	o	o	o	o	o	-	o	-	o	o	o
Mounting rail TS 15	-	-	-	-	-	-	-	-	-	-	-	-	o	o	-	-	-	-	o	o	o	-	-	-
TS 32	-	-	-	-	-	-	-	-	-	-	-	-	-	-	o	o	o	o	-	-	-	o	o	o
TS 35	-	-	-	-	-	-	-	-	-	-	-	-	-	-	o	o	o	o	-	-	-	o	o	o
Part number	9.40.1.0100.00	9.40.1.0090.00	9.40.1.0130.00	9.40.1.0180.00	9.40.1.0020.00	9.40.1.0030.00	9.40.1.0040.00	9.40.1.0140.00	9.40.1.0050.00	9.40.1.0060.00	9.40.1.0070.00	9.40.1.0080.00	9.40.2.1270.00	9.40.2.0940.00	9.40.2.1090.00	9.40.2.1030.00	9.40.2.1040.00	9.40.2.1050.00	9.40.2.0010.00	9.40.2.0020.00	9.40.2.0030.00	9.40.2.0050.00	9.40.2.0070.00	9.40.2.0090.00
Type	BK 4	BK 6	BK 12	G 5/3	G 5/4	G 5/6	G 5/12	KL-16/4	KL-16/8	KL-16/12	KL-16/16	KL-16/20	DR 1.5/5	DR 4/6	MA 2.5/5	M 4/6	M 6/8	M 10/10	MBK	MBK 5/E	MBK 10	UK 3 N	UK 5 N	UK 10
CT-50	-	-	-	1	-	-	-	1	-	-	-	-	-	-	-	-	-	-	-	-	-	-	-	
CT-52	1	-	-	-	1	-	-	1	1	-	-	-	-	-	-	-	-	-	-	-	-	-	-	
CT-54	-	1	-	-	-	1	-	1	1	-	-	-	7	6	-	-	-	-	7	6	5	-	-	
CT-56	-	-	-	-	-	1	-	1	1	-	-	-	7	6	4	4	-	-	7	6	5	4	4	
CT-58	-	-	-	-	-	-	1	-	1	1	-	-	15	12	-	-	-	-	15	12	10	-	-	
CT-60	-	-	-	-	-	-	1	-	1	1	-	-	15	12	10	10	6	6	15	12	10	10	10	
CT-62	-	-	-	-	-	-	-	-	-	1	1	1	22	19	-	-	-	-	22	18	15	-	-	
CT-64	-	-	-	-	-	-	-	-	-	1	1	1	22	19	16	16	10	10	22	19	15	16	16	
CT-66	-	-	-	-	-	-	-	-	1	1	1	1	15	13	-	-	-	-	15	13	11	-	-	
CT-68	-	-	-	-	-	-	-	-	1	1	1	1	15	13	15	13	10	8	15	13	11	15	13	
CT-72	-	-	-	-	-	-	-	-	-	1	1	1	22	19	22	19	4	11	22	19	15	22	19	
CT-76	-	-	-	-	-	-	-	-	-	-	-	1	30	25	30	25	19	15	30	25	21	30	25	
CT-78	-	-	-	-	-	-	-	-	-	-	-	-	30	25	30	25	19	15	30	25	21	30	25	
CT-80	-	-	-	-	-	-	-	-	-	-	-	-	38	32	38	32	24	19	38	32	26	38	32	
CT-82	-	-	-	-	-	-	-	-	-	-	-	-	27	23	27	23	17	14	27	23	19	27	23	
CT-84	-	-	-	-	-	-	-	-	-	-	-	-	38	32	38	32	24	19	38	32	26	38	32	
CT-86	-	-	-	-	-	-	-	-	-	-	-	-	38	32	38	32	24	19	38	32	26	38	32	
CT-87	-	-	-	-	-	-	-	-	-	-	-	-	50	40	50	40	31	25	50	40	34	50	40	
CT-87*)	-	-	-	-	-	-	-	-	-	-	-	-	100	80	100	80	62	50	100	80	68	100	80	
CT-88	-	-	-	-	-	-	-	-	-	-	-	-	60	50	60	50	38	30	60	49	40	47	47	
CT-88*)	-	-	-	-	-	-	-	-	-	-	-	-	120	100	120	100	76	60	120	98	80	94	94	
CT-89	-	-	-	-	-	-	-	-	-	-	-	-	50	40	50	40	31	25	50	40	32	50	46	
CT-89*)	-	-	-	-	-	-	-	-	-	-	-	-	100	80	100	80	62	50	100	80	64	100	62	
CT-90/91	-	-	-	-	-	-	-	-	-	-	-	-	38	32	38	32	24	19	38	32	26	38	32	

*) Assembled on 2 mounting rails
 **) Assembled on 3 mounting rails
 The number of terminals is reduced when partitions are used.

	Siemens				WAGO												Weidmüller											
	Terminal block				Terminal block				Terminal block												Terminal block							
	Screw terminals				Caged tension spring				6.2	10.2	6.2	10.2	4.2	5.2	5.2	6.2	6.2	8.2	10.2	12.2	5.2	6.2	6.2	6.5	8.2	10.2	5.2	6.2
	4	4	10	25	4	4	10	2.5	2.5	2.5	2.5	1.5	2.5	2.5	4	4	6	10	16	2.5	4	4	6	10	16	4	6	
	2.5	4	6	16	2.5	4	6	2.5	2.5	2.5	2.5	1.5	2.5	2.5	4	4	6	10	16	1.5	4	2.5	4	6	10	2.5	4	
	750	750	750	750	750	750	750	800	800	800	800	800	800	800	800	800	800	800	800	250	380	750	750	750	750	750	750	
	26	35	46	85	36	36	65	26	26	26	26	18	26	26	26	34	34	44	61	82	27	36	27	36	47	65	26	34
	○	○	○	○	○	○	○	○	○	○	○	○	○	○	○	○	○	○	○	○	○	○	○	○	○	○	○	
	-	-	-	-	-	-	-	○	○	-	-	-	-	-	-	-	-	-	○	○	-	-	-	-	-	-		
	-	-	-	-	-	-	-	-	-	-	-	-	-	-	-	-	-	-	-	-	○	○	○	○	-	-		
	○	○	○	○	○	○	○	-	-	○	○	○	○	○	○	○	○	○	-	-	-	-	-	-	○	○		
	9.40.2.4000.00	9.40.2.4010.00	9.40.2.4020.00	9.40.2.4030.00	9.40.2.4040.00	9.40.2.4050.00	9.40.2.4060.00	9.40.2.3020.00	9.40.2.3030.00	9.40.2.3210.00	9.40.2.3220.00	9.40.2.3230.00	9.40.2.0930.00	9.40.2.3240.00	9.40.2.3250.00	9.40.2.3260.00	9.40.2.3270.00	9.40.2.3280.00	9.40.2.3290.00	9.40.2.0500.00	9.40.2.0130.00	9.40.2.0140.00	9.40.2.0150.00	9.40.2.0160.00	9.40.2.0470.00	9.40.2.1460.00	9.40.2.1470.00	
	8WA1011-IDF11	8WA1011-IDG11	8WA1011-IDH11	8WA1204	8WA2011-IDF20	8WA2011-IDG20	8WA2011-IDH20	264-701	264-721	264-711	264-731	279-621	280-601	280-901	281-601	281-901	282-601	284-601	283-601	AKZ 2.5 PA	AKZ 4 PA	SAK 2.5 PA	SAK 4 PA	SAK 6 NPA	SAK 10 PA	WDU 2.5	WDU 4	
	-	-	-	-	-	-	-	-	-	-	-	-	-	-	-	-	-	-	-	-	-	-	-	-	-	-		
	-	-	-	-	-	-	-	7	4	-	-	-	-	-	-	-	-	-	7	6	-	-	-	-	-	-		
	6	5	-	-	7	6	-	7	4	-	-	-	-	-	-	-	-	-	7	6	4	-	-	-	-	-		
	-	-	-	-	-	-	-	13	8	-	-	-	-	-	-	-	-	-	15	12	-	-	-	-	-	-		
	12	11	-	-	15	12	-	13	8	-	-	-	-	-	-	-	-	-	15	12	10	9	6	6	-	-		
	-	-	-	-	-	-	-	20	12	-	-	-	-	-	-	-	-	-	22	19	-	-	-	-	-	-		
	19	18	14	11	22	18	14	20	12	-	-	-	-	-	-	-	-	-	22	19	16	15	10	10	-	-		
	-	-	-	-	-	-	-	13	8	-	-	-	-	-	-	-	-	-	15	13	-	-	-	-	-	-		
	13	12	10	8	15	13	10	-	-	13	8	21	16	16	13	14	10	8	6	15	13	13	12	10	8	15	13	
	19	17	14	11	22	19	14	-	-	19	11	30	24	24	20	20	14	12	9	22	19	19	17	14	11	22	19	
	26	24	19	15	30	25	19	-	-	26	15	40	32	32	26	26	19	16	13	30	25	25	24	19	15	30	25	
	26	24	19	15	30	25	19	-	-	26	15	40	32	32	26	26	19	16	13	30	25	25	24	19	15	30	25	
	33	30	24	19	38	32	24	-	-	33	20	50	40	40	33	33	25	20	16	38	32	32	30	24	19	38	32	
	23	21	17	14	27	22	17	-	-	26	16	40	32	32	26	27	20	16	13	27	23	23	21	17	14	27	23	
	32	30	24	19	38	31	24	-	-	33	20	50	40	40	33	33	25	20	16	38	32	32	30	24	19	38	32	
	32	30	24	19	38	31	24	-	-	33	20	50	40	40	33	33	25	20	16	38	32	32	30	24	19	38	32	
	42	39	31	25	49	41	31	-	-	43	25	65	52	52	43	43	32	26	21	50	40	40	39	31	25	50	40	
	84	78	62	50	98	82	62	-	-	86	50	130	104	104	86	86	64	52	-	100	80	80	78	62	50	100	80	
	50	46	37	32	58	48	36	-	-	51	30	77	61	61	51	51	38	30	25	60	50	50	47	38	30	60	50	
	100	92	74	64	116	96	72	-	-	102	60	144	122	122	102	102	76	60	-	120	100	100	94	76	60	-	-	
	42	39	31	25	49	41	31	-	-	43	25	65	52	52	43	43	32	26	21	50	40	40	39	31	25	50	40	
	84	78	62	50	98	82	62	-	-	86	50	130	104	104	86	86	64	52	-	100	80	80	78	62	50	100	80	
	32	30	24	19	38	31	24	-	-	33	20	50	40	40	33	33	25	20	16	38	32	32	30	24	19	38	32	

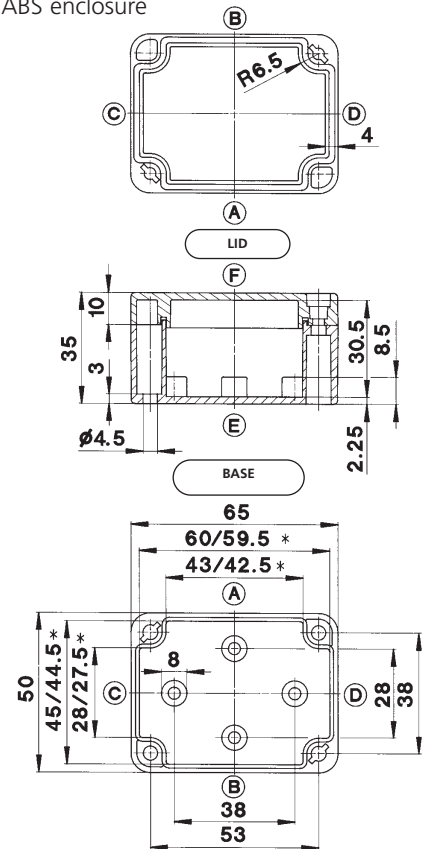
52 x 50 x 35 mm

CT-501
Polycarbonate enclosure
CT-502
ABS enclosure



65 x 50 x 35 mm

CT-521
Polycarbonate enclosure
CT-522
ABS enclosure



* minimum dimensions at level of mounting plate support

* minimum dimensions at level of mounting plate support

Type	
Weight (g)	
External dimensions (mm)	
Complete enclosures	
PC, with gasket and quick release	
PC, with gasket and screw release	
PC, with gasket, transparent lid (PC) and quick release	
PC, with gasket, transparent lid (PC) and screw release	
ABS, with gasket and quick release	
ABS, with gasket and screw release	
ABS, with gasket, transparent lid (PC) and quick release	
ABS, with gasket, transparent lid (PC) and screw release	
Accessories (separate or as a mounting set)	
Mounting plate	
TS 15 mounting rail	
TS 32 mounting rail	
TS 35 mounting rail	
Grounding rail (attachment on central C/D cams)	
External attachment brackets	
External hinges**	
Internal hinges, flexible, for quick-release enclosures	
Silicone gasket for wider temperature range (piece goods)	
Mounting bushes with metr. M 3 x 8 screws (4 pcs.)	

Max. Pg threads

CT-501	CT-502
40	38
External dimensions	52 x 50 x 35
Part number	
250.0.0000.00 ●	
250.0.0010.00	
250.1.0000.00 ●	
250.1.0010.00	
	350.0.0000.00 ●
	350.0.0010.00
	350.1.0000.00 ●
	350.1.0010.00
951.2.0090.00 ●	
-	
-	
-	
-	
-	
-	
-	
-	
-	
-	
-	
-	
-	
-	

ISO M	12	16	20	25	32	40	50	63
Side A/B	1	0	0	0	0	0	0	0
Side C/D	1	0	0	0	0	0	0	0

** mechanical enclosure machining required

● = kept in stock

CT-521	CT-522
50	47
External dimensions	65 x 50 x 35
Part number	
252.0.0000.00 ●	
252.0.0010.00	
252.1.0000.00 ●	
252.1.0010.00	
	352.0.0000.00 ●
	352.0.0010.00
	352.1.0000.00 ●
	352.1.0010.00
951.2.0100.00 ●	
982.0.0010.00 ●	
-	
-	
-	
-	
-	
-	
-	
-	
-	
-	
-	
-	
-	
980.0.0250.00 ●	

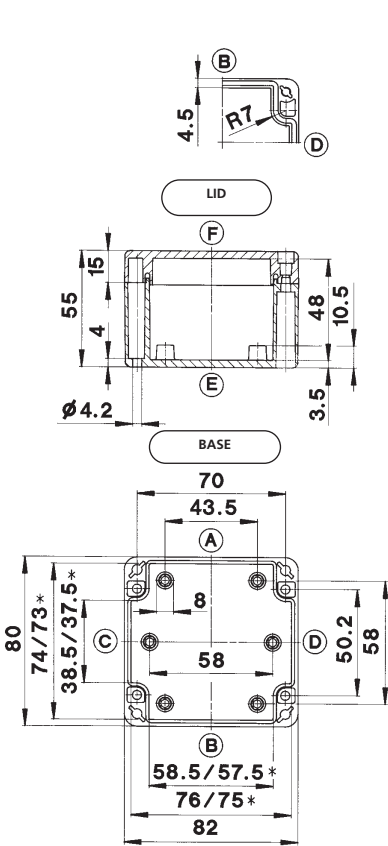
ISO M	12	16	20	25	32	40	50	63
Side A/B	2	0	0	0	0	0	0	0
Side C/D	0	0	0	0	0	0	0	0

** mechanical enclosure machining required

● = kept in stock

82 x 80 x 55 mm

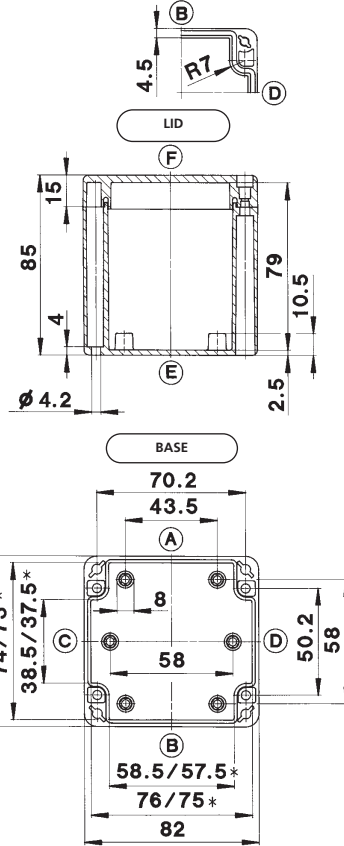
CT-541
Polycarbonate enclosure
CT-542
ABS enclosure



* minimum dimensions at level of mounting plate support

82 x 80 x 85 mm

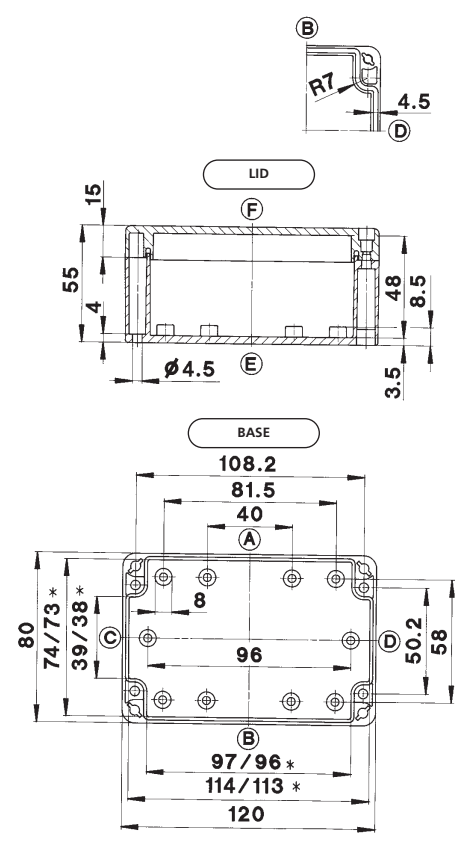
CT-561
Polycarbonate enclosure
CT-562
ABS enclosure



* minimum dimensions at level of mounting plate support

120 x 80 x 55 mm

CT-581
Polycarbonate enclosure
CT-582
ABS enclosure



* minimum dimensions at level of mounting plate support

CT-541	CT-542
140	116
82 x 80 x 55	
Part number	
254.0.0000.00 ●	
254.0.0010.00	
254.1.0000.00 ●	
254.1.0010.00	
	354.0.0000.00 ●
	354.0.0010.00
	354.1.0000.00 ●
	354.1.0010.00

951.2.0110.00 ●
982.0.0040.00 ●
-
982.2.0000.00 ●
-
980.2.0020.00 ●
980.2.0250.00 ●
980.1.0760.00 ●
923.1.0050.00 ●
980.0.0250.00 ●

ISO M	12	16	20	25	32	40	50	63
Side A/B	5	2	2	0	0	0	0	0
Side C/D	2	1	0	0	0	0	0	0

** mechanical enclosure machining required

● = kept in stock

CT-561	CT-562
175	150
82 x 80 x 85	
Part number	
256.0.0000.00 ●	
256.0.0010.00	
256.1.0000.00 ●	
256.1.0010.00	
	356.0.0000.00 ●
	356.0.0010.00
	356.1.0000.00 ●
	356.1.0010.00

951.2.0110.00 ●
982.0.0040.00 ●
-
982.2.0000.00 ●
-
980.2.0020.00 ●
980.2.0250.00 ●
980.1.0760.00 ●
923.1.0050.00 ●
980.0.0250.00 ●

ISO M	12	16	20	25	32	40	50	63
Side A/B	10	5	3	2	1	1	1	0
Side C/D	5	2	1	1	1	0	0	0

** mechanical enclosure machining required

● = kept in stock

CT-581	CT-582
180	135
120 x 80 x 55	
Part number	
258.0.0000.00 ●	
258.0.0010.00	
258.1.0000.00 ●	
258.1.0010.00	
	358.0.0000.00 ●
	358.0.0010.00
	358.1.0000.00 ●
	358.1.0010.00

951.2.0120.00 ●
982.0.0090.00 ●
-
982.2.0020.00 ●
981.0.0010.00
980.2.0020.00 ●
980.2.0250.00 ●
980.1.0760.00 ●
923.1.0050.00 ●
980.0.0400.00 ●

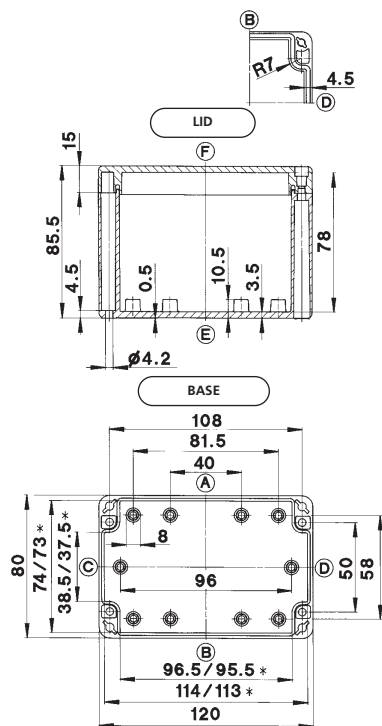
ISO M	12	16	20	25	32	40	50	63
Side A/B	9	4	3	2	0	0	0	0
Side C/D	2	1	1	0	0	0	0	0

** mechanical enclosure machining required

● = kept in stock

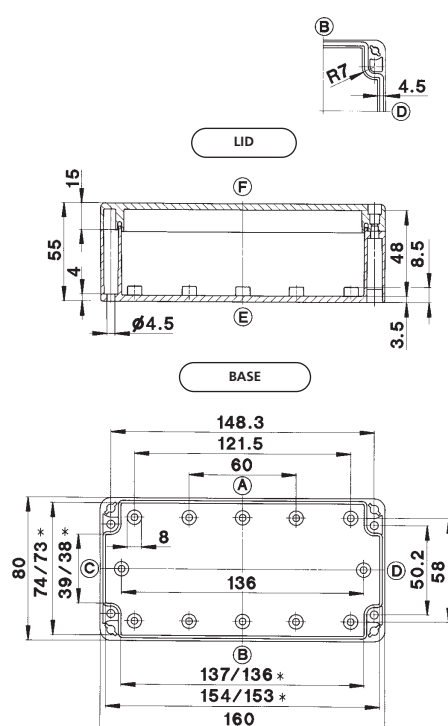
120 x 80 x 85 mm

CT-601
Polycarbonate enclosure
CT-602
ABS enclosure



160 x 80 x 55 mm

CT-621
Polycarbonate enclosure
CT-622
ABS enclosure



* minimum dimensions at level of mounting plate support

* minimum dimensions at level of mounting plate support

Type	
Weight (g)	
External dimensions (mm)	
Complete enclosures	
PC, with gasket and quick release	
PC, with gasket and screw release	
PC, with gasket, transparent lid (PC) and quick release	
PC, with gasket, transparent lid (PC) and screw release	
ABS, with gasket and quick release	
ABS, with gasket and screw release	
ABS, with gasket, transparent lid (PC) and quick release	
ABS, with gasket, transparent lid (PC) and screw release	
Accessories (separate or as a mounting set)	
Mounting plate	
TS 15 mounting rail	
TS 32 mounting rail	
TS 35 mounting rail	
Grounding rail (attachment on central C/D cams)	
External attachment brackets	
External hinges**	
Internal hinges, flexible, for quick-release enclosures	
Silicone gasket for wider temperature range (piece goods)	
Mounting bushes with metr. M 3 x 8 screws (4 pcs.)	

Max. Pg threads

	CT-601	CT-602
Weight (g)	225	192
External dimensions (mm)	120 x 80 x 85	
Part number		
PC, with gasket and quick release	260.0.0000.00 ●	
PC, with gasket and screw release	260.0.0010.00	
PC, with gasket, transparent lid (PC) and quick release	260.1.0000.00 ●	
PC, with gasket, transparent lid (PC) and screw release	260.1.0010.00	
ABS, with gasket and quick release		360.0.0000.00 ●
ABS, with gasket and screw release		360.0.0010.00
ABS, with gasket, transparent lid (PC) and quick release		360.1.0000.00 ●
ABS, with gasket, transparent lid (PC) and screw release		360.1.0010.00
Mounting plate	951.2.0120.00 ●	
TS 15 mounting rail	982.0.0090.00 ●	
TS 32 mounting rail	-	
TS 35 mounting rail	982.2.0020.00 ●	
Grounding rail (attachment on central C/D cams)	981.0.0010.00	
External attachment brackets	980.2.0020.00 ●	
External hinges**	980.2.0250.00 ●	
Internal hinges, flexible, for quick-release enclosures	980.1.0760.00 ●	
Silicone gasket for wider temperature range (piece goods)	923.1.0050.00 ●	
Mounting bushes with metr. M 3 x 8 screws (4 pcs.)	980.0.0250.00 ●	

ISO M	12	16	20	25	32	40	50	63
Side A/B	15	6	6	3	2	1	1	0
Side C/D	5	2	1	1	1	0	0	0

** mechanical enclosure machining required

● = kept in stock

	CT-621	CT-622
Weight (g)	225	199
External dimensions (mm)	160 x 80 x 55	
Part number		
PC, with gasket and quick release	262.0.0000.00 ●	
PC, with gasket and screw release	262.0.0010.00	
PC, with gasket, transparent lid (PC) and quick release	262.1.0000.00 ●	
PC, with gasket, transparent lid (PC) and screw release	262.1.0010.00	
ABS, with gasket and quick release		362.0.0000.00 ●
ABS, with gasket and screw release		362.0.0010.00
ABS, with gasket, transparent lid (PC) and quick release		362.1.0000.00 ●
ABS, with gasket, transparent lid (PC) and screw release		362.1.0010.00
Mounting plate	951.2.0130.00 ●	
TS 15 mounting rail	982.0.0130.00 ●	
TS 32 mounting rail	-	
TS 35 mounting rail	982.2.0280.00 ●	
Grounding rail (attachment on central C/D cams)	981.0.0050.00	
External attachment brackets	980.2.0020.00 ●	
External hinges**	980.2.0250.00 ●	
Internal hinges, flexible, for quick-release enclosures	980.1.0760.00 ●	
Silicone gasket for wider temperature range (piece goods)	923.1.0050.00 ●	
Mounting bushes with metr. M 3 x 8 screws (4 pcs.)	980.0.0400.00 ●	

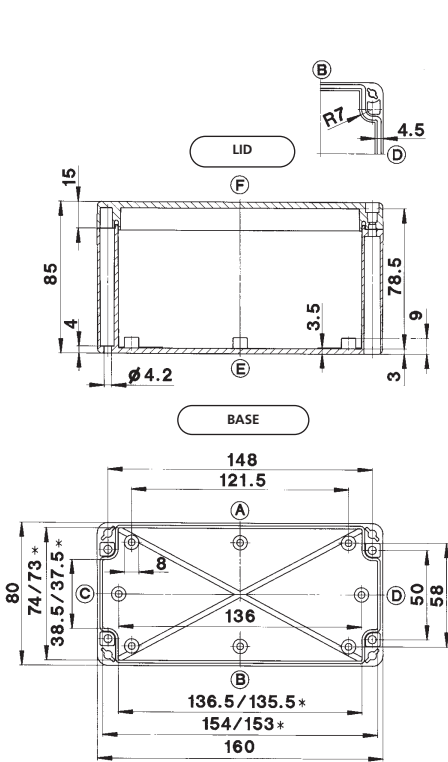
ISO M	12	16	20	25	32	40	50	63
Side A/B	11	5	4	3	0	0	0	0
Side C/D	2	1	1	0	0	0	0	0

** mechanical enclosure machining required

● = kept in stock

160 x 80 x 85 mm

CT-641
Polycarbonate enclosure
CT-642
ABS enclosure



* minimum dimensions at level of mounting plate support

CT-641	CT-642
240	225
160 x 80 x 85	
Part number	
264.0.0000.00 ●	
264.0.0010.00	
264.1.0000.00 ●	
264.1.0010.00	
	364.0.0000.00 ●
	364.0.0010.00
	364.1.0000.00 ●
	364.1.0010.00

951.2.0130.00 ●
982.0.0130.00 ●
-
982.2.0280.00 ●
981.0.0050.00
980.2.0020.00 ●
980.2.0250.00 ●
980.1.0760.00 ●
923.1.0050.00 ●
980.0.0250.00 ●

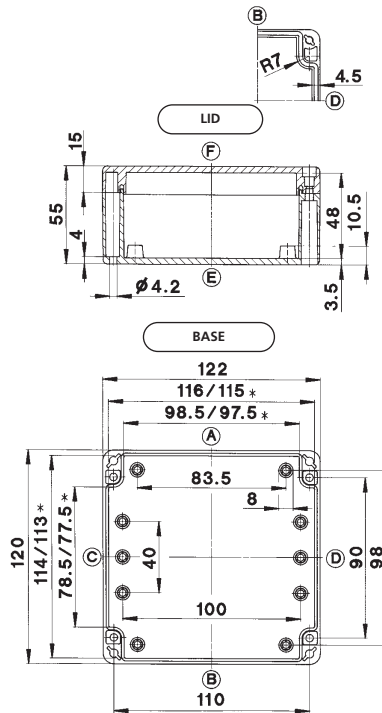
ISO M	12	16	20	25	32	40	50	63
Side A/B	22	10	8	5	3	2	2	0
Side C/D	5	2	1	1	1	0	0	0

** mechanical enclosure machining required

● = kept in stock

122 x 120 x 55 mm

CT-661
Polycarbonate enclosure
CT-662
ABS enclosure



* minimum dimensions at level of mounting plate support

CT-661	CT-662
240	218
122 x 120 x 55	
Part number	
266.0.0000.00 ●	
266.0.0010.00	
266.1.0000.00 ●	
266.1.0010.00	
	366.0.0000.00 ●
	366.0.0010.00
	366.1.0000.00 ●
	366.1.0010.00

951.2.0140.00 ●
982.0.0080.00 ●
-
982.2.0020.00 ●
981.0.0030.00
980.2.0020.00 ●
980.2.0250.00 ●
980.1.0760.00 ●
923.1.0050.00 ●
980.0.0250.00 ●

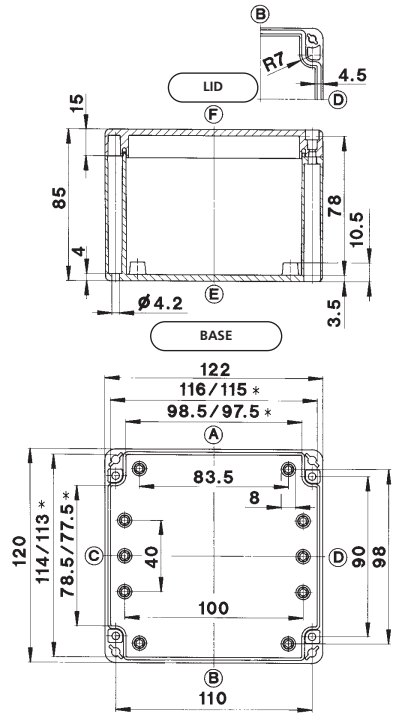
ISO M	12	16	20	25	32	40	50	63
Side A/B	9	4	3	2	0	0	0	0
Side C/D	4	3	2	0	0	0	0	0

** mechanical enclosure machining required

● = kept in stock

122 x 120 x 85 mm

CT-681
Polycarbonate enclosure
CT-682
ABS enclosure



* minimum dimensions at level of mounting plate support

CT-681	CT-682
295	269
122 x 120 x 85	
Part number	
268.0.0000.00 ●	
268.0.0010.00	
268.1.0000.00 ●	
268.1.0010.00	
	368.0.0000.00 ●
	368.0.0010.00
	368.1.0000.00 ●
	368.1.0010.00

951.2.0140.00 ●
-
982.1.0010.00 ●
982.2.0020.00 ●
981.0.0030.00
980.2.0020.00 ●
980.2.0250.00 ●
980.1.0760.00 ●
923.1.0050.00 ●
980.0.0250.00 ●

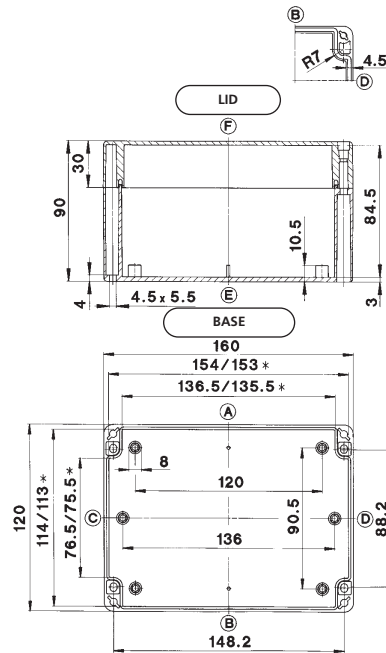
ISO M	12	16	20	25	32	40	50	63
Side A/B	15	6	6	3	20	1	1	0
Side C/D	10	3	3	2	1	0	0	0

** mechanical enclosure machining required

● = kept in stock

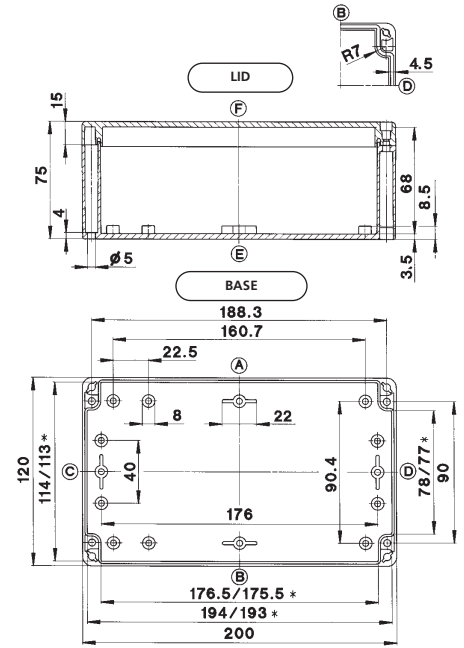
160 x 120 x 90 mm

CT-721
Polycarbonate enclosure
CT-722
ABS enclosure



200 x 120 x 75 mm

CT-761
Polycarbonate enclosure
CT-762
ABS enclosure



* minimum dimensions at level of mounting plate support

* minimum dimensions at level of mounting plate support

Type	
Weight (g)	
External dimensions (mm)	
Complete enclosures	
PC, with gasket and quick release	
PC, with gasket and screw release	
PC, with gasket, transparent lid (PC) and quick release	
PC, with gasket, transparent lid (PC) and screw release	
ABS, with gasket and quick release	
ABS, with gasket and screw release	
ABS, with gasket, transparent lid (PC) and quick release	
ABS, with gasket, transparent lid (PC) and screw release	
Accessories (separate or as a mounting set)	
Mounting plate	
TS 15 mounting rail	
TS 32 mounting rail	
TS 35 mounting rail	
Grounding rail (attachment on central C/D cams)	
External attachment brackets	
External hinges**	
Internal hinges, flexible, for quick-release enclosures	
Silicone gasket for wider temperature range (piece goods)	
Mounting bushes with metr. M 3 x 8 screws (4 pcs.)	

Max. Pg threads

CT-721	CT-722
360	310
160 x 120 x 90	
Part number	
272.0.0000.00 ●	
272.0.0010.00	
272.1.0000.00 ●	
272.1.0010.00	
	372.0.0000.00 ●
	372.0.0010.00
	372.1.0000.00 ●
	372.1.0010.00
951.2.0360.00 ●	
-	
982.1.0250.00 ●	
982.2.0280.00 ●	
981.0.0400.00	
980.2.0020.00 ●	
980.2.0250.00 ●	
980.1.0790.00 ●	
923.1.0050.00 ●	
980.0.0250.00 ●	

ISO M	12	16	20	25	32	40	50	63
Side A/B	18	10	7	3	3	0	0	0
Side C/D	9	5	2	2	1	0	0	0

** mechanical enclosure machining required

● = kept in stock

CT-761	CT-762
400	373
200 x 120 x 75	
Part number	
276.0.0000.00 ●	
276.0.0010.00	
276.1.0000.00 ●	
276.1.0010.00	
	376.0.0000.00 ●
	376.0.0010.00
	376.1.0000.00 ●
	376.1.0010.00
951.2.0150.00 ●	
-	
982.1.0040.00 ●	
982.2.0060.00 ●	
981.0.0060.00	
980.2.0020.00 ●	
980.2.0250.00 ●	
980.1.0760.00 ●	
923.1.0050.00 ●	
980.0.0400.00 ●	

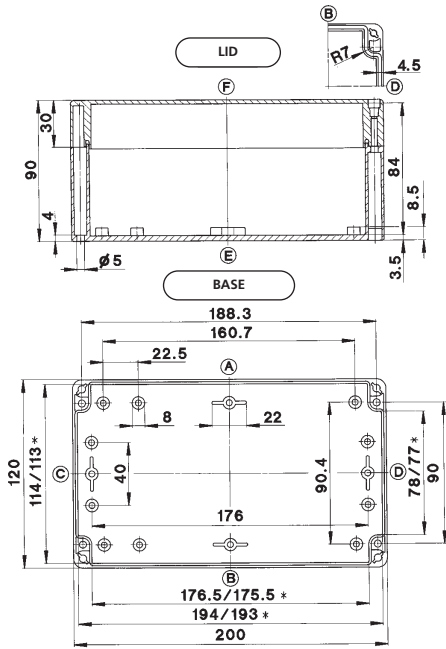
ISO M	12	16	20	25	32	40	50	63
Side A/B	26	12	8	5	3	0	0	0
Side C/D	10	5	2	2	1	0	0	0

** mechanical enclosure machining required

● = kept in stock

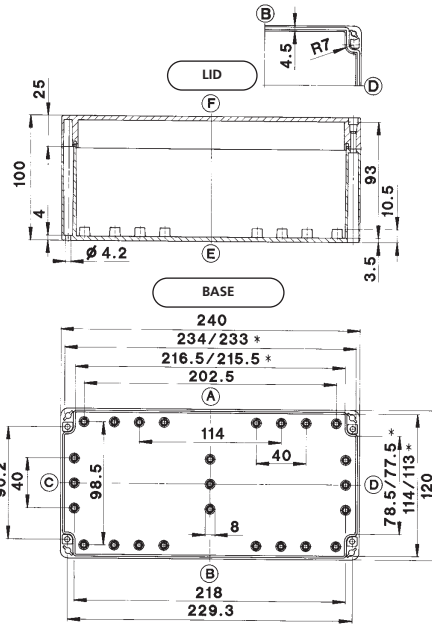
200 x 120 x 90 mm

CT-781
Polycarbonate enclosure
CT-782
ABS enclosure



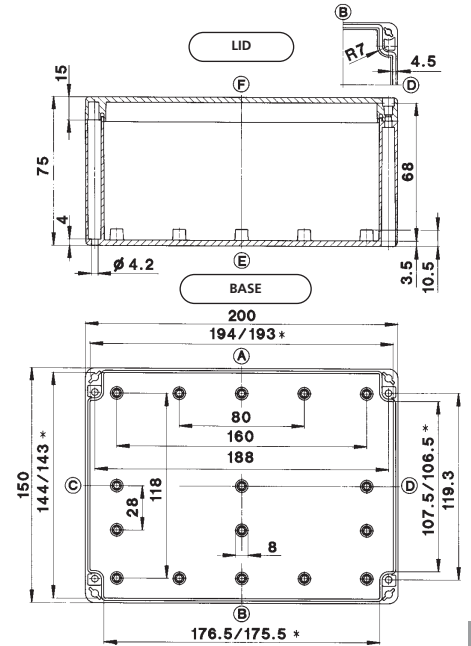
240 x 120 x 100 mm

CT-801
Polycarbonate enclosure
CT-802
ABS enclosure



200 x 150 x 75 mm

CT-821
Polycarbonate enclosure
CT-822
ABS enclosure



* minimum dimensions at level of mounting plate support

* minimum dimensions at level of mounting plate support

* minimum dimensions at level of mounting plate support

CT-781	CT-782
420	365
200 x 120 x 90	
Part number	
278.0.0000.00 ●	
278.0.0010.00	
278.1.0000.00 ●	
278.1.0010.00	
	378.0.0000.00 ●
	378.0.0010.00
	378.1.0000.00 ●
	378.1.0010.00

CT-801	CT-802
540	478
240 x 120 x 100	
Part number	
280.0.0000.00 ●	
280.0.0010.00	
280.1.0000.00 ●	
280.1.0010.00	
	380.0.0000.00 ●
	380.0.0010.00
	380.1.0000.00 ●
	380.1.0010.00

CT-821	CT-822
475	425
200 x 150 x 75	
Part number	
282.0.0000.00 ●	
282.0.0010.00	
282.1.0000.00 ●	
282.1.0010.00	
	382.0.0000.00 ●
	382.0.0010.00
	382.1.0000.00 ●
	382.1.0010.00

951.2.0150.00 ●
-
982.1.0040.00 ●
982.2.0060.00 ●
981.0.0060.00
980.2.0020.00 ●
980.2.0250.00 ●
980.1.0790.00 ●
923.1.0050.00 ●
980.0.0400.00 ●

951.2.0160.00 ●
-
982.1.0060.00 ●
982.2.0080.00 ●
981.0.0090.00
980.2.0020.00 ●
980.2.0250.00 ●
980.1.0780.00 ●
923.1.0050.00 ●
980.0.0250.00 ●

951.2.0170.00 ●
-
982.1.0170.00 ●
982.2.0200.00 ●
981.0.0060.00
980.2.0020.00 ●
980.2.0250.00 ●
980.1.0760.00 ●
923.1.0050.00 ●
980.0.0250.00 ●

ISO M	12	16	20	25	32	40	50	63
Side A/B	26	12	8	5	3	0	0	0
Side C/D	10	5	2	2	1	0	0	0

** mechanical enclosure machining required

● = kept in stock

ISO M	12	16	20	25	32	40	50	63
Side A/B	34	17	12	6	5	3	3	2
Side C/D	10	6	3	2	1	1	0	0

** mechanical enclosure machining required

● = kept in stock

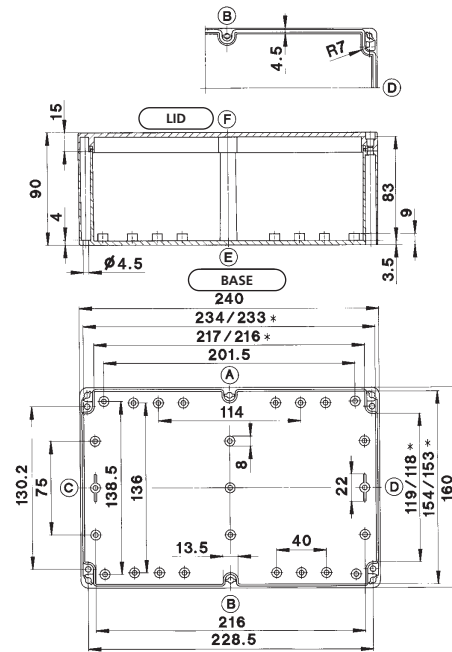
ISO M	12	16	20	25	32	40	50	63
Side A/B	22	12	9	5	3	0	0	0
Side C/D	12	6	3	2	2	0	0	0

** mechanical enclosure machining required

● = kept in stock

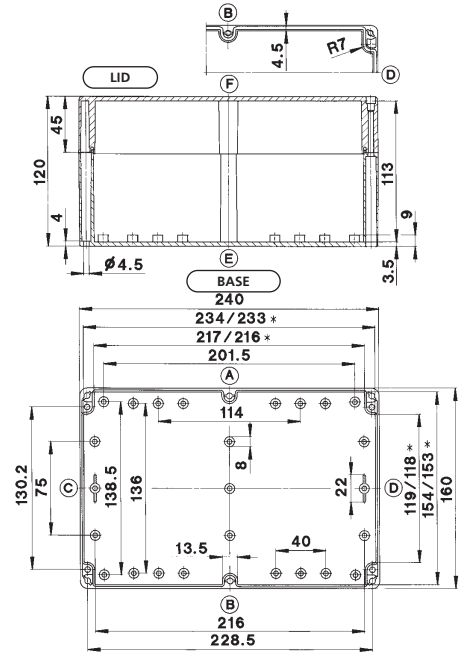
240 x 160 x 90 mm

CT-841
Polycarbonate enclosure
CT-842
ABS enclosure



240 x 160 x 120 mm

CT-861
Polycarbonate enclosure
CT-862
ABS enclosure



* minimum dimensions at level of mounting plate support

* minimum dimensions at level of mounting plate support

Type	
Weight (g)	
External dimensions (mm)	
Complete enclosures	
PC, with gasket and quick release	
PC, with gasket and screw release	
PC, with gasket, transparent lid (PC) and quick release	
PC, with gasket, transparent lid (PC) and screw release	
ABS, with gasket and quick release	
ABS, with gasket and screw release	
ABS, with gasket, transparent lid (PC) and quick release	
ABS, with gasket, transparent lid (PC) and screw release	
Accessories (separate or as a mounting set)	
Mounting plate	
TS 15 mounting rail	
TS 32 mounting rail	
TS 35 mounting rail	
Grounding rail (attachment on central C/D cams)	
External attachment brackets	
External hinges**	
Internal hinges, flexible, for quick-release enclosures	
Silicone gasket for wider temperature range (piece goods)	
Mounting bushes with metr. M 3 x 8 screws (4 pcs.)	

Max. Pg threads

CT-841	CT-842
650	528
240 x 160 x 90	
Part number	
284.0.0000.00 ●	
284.0.0010.00	
284.1.0000.00 ●	
284.1.0010.00	
	384.0.0000.00 ●
	384.0.0010.00
	384.1.0000.00 ●
	384.1.0010.00
951.2.0180.00 ●	
-	
982.1.0060.00 ●	
982.2.0080.00 ●	
981.0.0090.00	
980.2.0020.00 ●	
980.2.0250.00 ●	
980.1.0760.00 ●	
923.1.0050.00 ●	
980.0.0400.00 ●	

ISO M	12	16	20	25	32	40	50	63
Side A/B	36	16	12	8	4	2	2	2
Side C/D	17	8	5	3	2	2	1	0

** mechanical enclosure machining required

● = kept in stock

CT-861	CT-862
785	636
240 x 160 x 120	
Part number	
286.0.0000.00 ●	
286.0.0010.00	
286.1.0000.00 ●	
286.1.0010.00	
	386.0.0000.00 ●
	386.0.0010.00
	386.1.0000.00 ●
	386.1.0010.00
951.2.0180.00 ●	
-	
982.1.0060.00 ●	
982.2.0080.00 ●	
981.0.0090.00	
980.2.0020.00 ●	
980.2.0250.00 ●	
980.1.0800.00 ●	
923.1.0050.00 ●	
980.0.0400.00 ●	

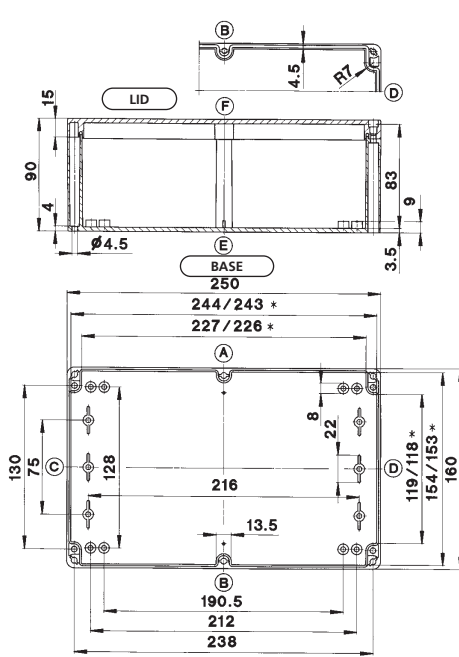
ISO M	12	16	20	25	32	40	50	63
Side A/B	36	16	12	8	4	2	2	2
Side C/D	17	8	5	3	2	2	1	0

** mechanical enclosure machining required

● = kept in stock

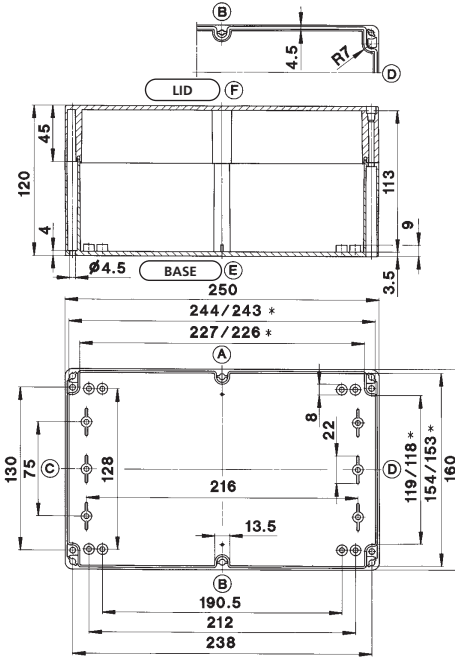
250 x 160 x 90 mm

CT-901
Polycarbonate enclosure
CT-902
ABS enclosure



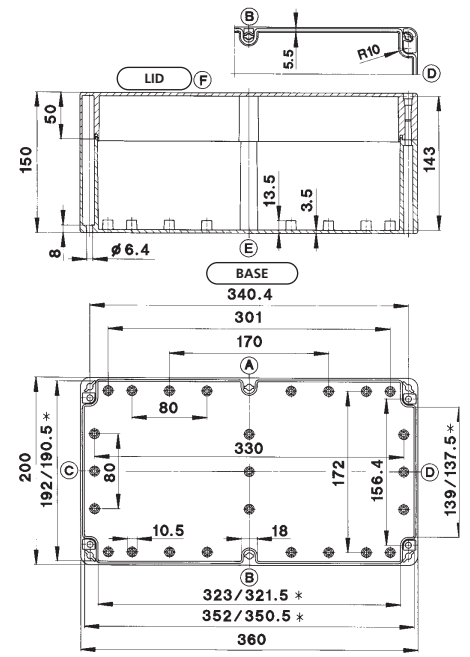
250 x 160 x 120 mm

CT-911
Polycarbonate enclosure
CT-912
ABS enclosure



360 x 200 x 150 mm

CT-881
Polycarbonate enclosure
CT-882
ABS enclosure



* minimum dimensions at level of mounting plate support

* minimum dimensions at level of mounting plate support

* minimum dimensions at level of mounting plate support

CT-901	CT-902
680	550
250 x 160 x 90	
Part number	
290.0.0000.00 ●	
290.0.0010.00	
290.1.0000.00 ●	
290.1.0010.00	
	390.0.0000.00 ●
	390.0.0010.00
	390.1.0000.00 ●
	390.1.0010.00

CT-911	CT-912
830	660
250 x 160 x 120	
Part number	
291.0.0000.00 ●	
291.0.0010.00	
291.1.0000.00 ●	
291.1.0010.00	
	391.0.0000.00 ●
	391.0.0010.00
	391.1.0000.00 ●
	391.1.0010.00

CT-881	CT-882
1550	1375
360 x 200 x 150	
Part number	
288.0.0000.00 ●	
288.0.0010.00	
288.1.0000.00 ●	
288.1.0010.00	
	388.0.0000.00 ●
	388.0.0010.00
	388.1.0000.00 ●
	388.1.0010.00

951.2.1870.00 ●
-
982.1.0060.00 ●
982.2.0080.00 ●
981.0.0090.00
980.2.0020.00 ●
980.2.0250.00 ●
980.1.0760.00 ●
923.1.0050.00 ●
980.0.0400.00 ●

951.2.1870.00 ●
-
982.1.0060.00 ●
982.2.0080.00 ●
981.0.0090.00
980.2.0020.00 ●
980.2.0250.00 ●
980.1.0800.00 ●
923.1.0050.00 ●
980.0.0400.00 ●

951.2.0200.00 ●
-
982.1.0130.00
982.2.0160.00
981.0.0340.00
-
980.2.0260.00 ●
-
923.1.0060.00 ●
980.0.0260.00 ● (M 4 x 8)

ISO M	12	16	20	25	32	40	50	63
Side A/B	38	16	12	8	4	2	2	2
Side C/D	17	8	5	3	2	2	1	0

** mechanical enclosure machining required

● = kept in stock

ISO M	12	16	20	25	32	40	50	63
Side A/B	38	16	12	8	4	2	2	2
Side C/D	17	8	5	3	2	2	1	0

** mechanical enclosure machining required

● = kept in stock

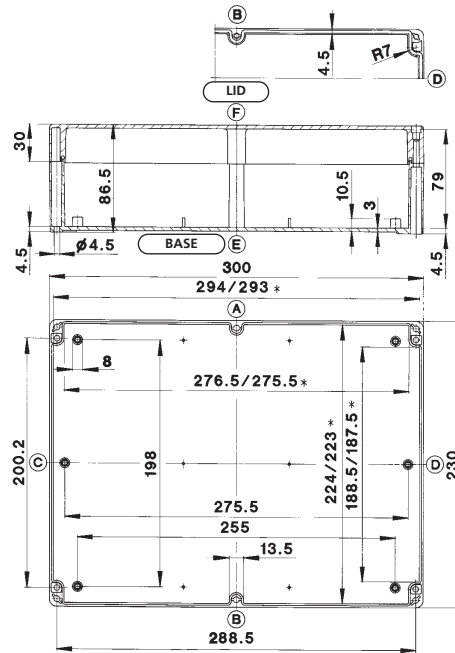
ISO M	12	16	20	25	32	40	50	63
Side A/B	70	32	24	16	10	6	4	4
Side C/D	26	11	8	5	3	2	2	1

** mechanical enclosure machining required

● = kept in stock

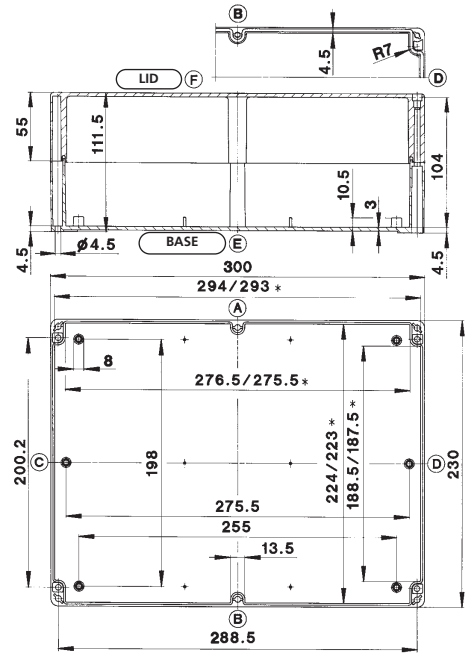
300 x 230 x 86 mm

CT-871
Polycarbonate enclosure
CT-872
ABS enclosure



300 x 230 x 111 mm

CT-891
Polycarbonate enclosure
CT-892
ABS enclosure



* minimum dimensions at level of mounting plate support

* minimum dimensions at level of mounting plate support

Type	
Weight	(g)
External dimensions	(mm)
Complete enclosures	
PC, with gasket and quick release	
PC, with gasket and screw release	
PC, with gasket, transparent lid (PC) and quick release	
PC, with gasket, transparent lid (PC) and screw release	
ABS, with gasket and quick release	
ABS, with gasket and screw release	
ABS, with gasket, transparent lid (PC) and quick release	
ABS, with gasket, transparent lid (PC) and screw release	
Accessories (separate or as a mounting set)	
Mounting plate	
TS 15 mounting rail	
TS 32 mounting rail	
TS 35 mounting rail	
Grounding rail (attachment on central C/D cams)	
External attachment brackets	
External hinges**	
Internal hinges, flexible, for quick-release enclosures	
Silicone gasket for wider temperature range (piece goods)	
Mounting bushes with metr. M 3 x 8 screws (4 pcs.)	

Max. Pg threads

CT-871	CT-872
915	850
300 x 230 x 86	
Part number	
287.0.0000.00 ●	
287.0.0010.00	
287.1.0000.00 ●	
287.1.0010.00	
	387.0.0000.00 ●
	387.0.0010.00
	387.1.0000.00 ●
	387.1.0010.00
951.2.0190.00 ●	
-	
982.1.0100.00 ●	
982.2.0130.00 ●	
981.0.0120.00	
980.2.0020.00 ●	
980.2.0250.00 ●	
980.1.0790.00 ●	
-	
980.0.0250.00 ●	

ISO M	12	16	20	25	32	40	50	63
Side A/B	34	14	10	6	4	0	0	0
Side C/D	21	13	5	4	2	0	0	0

** mechanical enclosure machining required

● = kept in stock

CT-891	CT-892
1155	1000
300 x 230 x 110	
Part number	
289.0.0000.00 ●	
289.0.0010.00	
289.1.0000.00 ●	
289.1.0010.00	
	389.0.0000.00 ●
	389.0.0010.00
	389.1.0000.00 ●
	389.1.0010.00
951.2.0190.00 ●	
-	
982.1.0100.00 ●	
982.2.0130.00 ●	
981.0.0120.00	
980.2.0020.00 ●	
980.2.0250.00 ●	
980.1.0820.00 ●	
-	
980.0.0250.00 ●	

ISO M	12	16	20	25	32	40	50	63
Side A/B	34	14	10	6	4	0	0	0
Side C/D	21	13	5	4	2	0	0	0

** mechanical enclosure machining required

● = kept in stock

X-ON Electronics

Largest Supplier of Electrical and Electronic Components

Click to view similar products for [bernstein](#) manufacturer:

Other Similar products are found below :

[618.6800.468](#) [9-205](#) [9-205 ESD](#) [1500](#) [1-909](#) [2-167/10](#) [2230](#) [5-049-13](#) [5-051-13](#) [5-052-13](#) [5-079-13](#) [3-245-13](#) [3-656-15](#) [3-686-15](#) [3-688-15](#)
[3-689-15](#) [3-960](#) [5-049](#) [5-053](#) [5-056-13](#) [5-090-0](#) [5-117](#) [1-150](#) [6750](#) [CT-722](#) [3-682-15](#) [2280](#) [7015](#) [C2-SU1ZR](#) [9-261](#) [CA-310](#) [CT-682T](#) [CT-](#)
[822T](#) [CT-882](#) [9-367](#) [3-651-15](#) [DR](#) [9-252](#) [616.1500.725](#) [616.1500.726](#) [616.1500.723](#) [ENM2-U1 AD](#) [IN65-SU1Z RK](#) [IN65-U1Z RK](#) [GC-](#)
[UV1Z RIW](#) [IN65-SU1Z DGHK](#) [I81-U1Z AHK](#) [IN65-SU1Z DGKK](#) [IN65-SU1 AHDM](#) [ENM2-SU1 AD](#) [TI2-SU1 FF](#)