

# WAGO Wire-Way High Density Slotted Wall Duct with narrow fingers

**Specifications:**

PVC Material  
UL standard 94 V-0  
Impact strength= 15 ft. lbs. /in. notch  
Tensile strength (+73° F)=6,600 psi  
Coefficient of linear expansion  
4.0 x 10<sup>-5</sup> (in./in. 1° F)

**Approvals:**

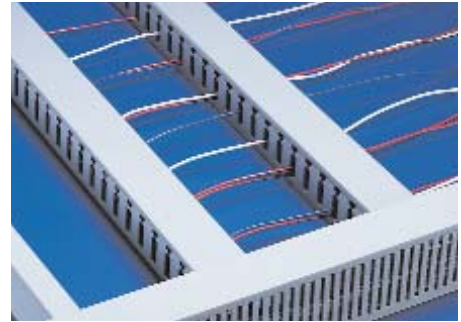
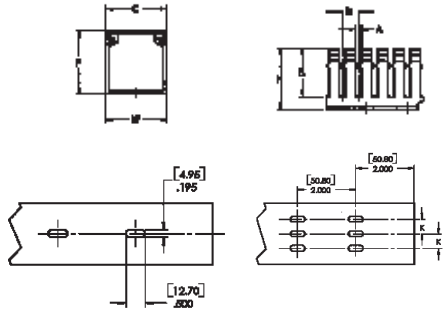
UL recognized, CSA certified  
ASTM test: D-792, D-2240, D-685, D-790,  
D-638, D-150, D-177, D-696, D-648, D-638,  
D-256, D-635

Recommended fill ratio = 50%

# of wires = duct area (in<sup>2</sup>)/1.57 x (wire o.d.)  
Example: Duct size = 1 x 1, Duct Area =  
0.731 in<sup>2</sup>, 12 AWG = 0.258 o.d., 0.731/1.57 x  
(0.158)<sup>2</sup>=19 wires



**Dimensions:**



High density slotted wall duct comes with narrow fingers, equaling a 2 to 1 finger ratio compared to standard slotted wiring duct.

- Narrow fingers reduce fanning of the wires to the terminal blocks.
- Compact designs and components are more easily accommodated with the high density duct's 2 to 1 finger ratio.
- High density duct also incorporates the double scored design, similar to the standard wall duct.
- With sizes 2" high and above, high density duct features a double restriction on each finger of the duct.
- The double restriction helps keep wires in the bottom portion of the duct for easier installation.
- Mounting holes are uniform in size to the solid and slotted wall duct, but are offered every 2 inches to accommodate compact designs and installations.
- Smooth Edges
- Cover is Flush with Side of Duct
- Non-Slip Cover
- Professional Appearance

Part Number	Type	Color	WxH	A	B	C	D	F	K	W	Stick/Pkg Qty.
<b>Duct:</b>											
51017695	High Density	White	1x1	.16	.75	1.00	.40	1.05	On Center	1.00	6' Lengths/120'
51017681	High Density	Gray	1x1	.16	.75	1.00	.40	1.05	On Center	1.00	6' Lengths/120'
51017696	High Density	White	1x2	.16	1.62	1.00	.40	2.06	On Center	1.00	6' Lengths/120'
51017682	High Density	Gray	1x2	.16	1.62	1.00	.40	2.06	On Center	1.00	6' Lengths/120'
51017697	High Density	White	2x2	.16	1.62	2.00	.40	2.06	.50	2.03	6' Lengths/120'
51017683	High Density	Gray	2x2	.16	1.62	2.00	.40	2.06	.50	2.03	6' Lengths/120'
51017698	High Density	White	3x2	.16	1.62	3.00	.40	2.06	1.00	3.03	6' Lengths/120'
51017684	High Density	Gray	3x2	.16	1.62	3.00	.40	2.06	1.00	3.03	6' Lengths/120'
51017699	High Density	White	2x3	.16	2.60	2.00	.40	3.06	.50	2.02	6' Lengths/120'
51017685	High Density	Gray	2x3	.16	2.60	2.00	.40	3.06	.50	2.02	6' Lengths/120'
51017700	High Density	White	3x3	.16	2.60	3.00	.40	2.06	1.00	3.03	6' Lengths/120'
51017686	High Density	Gray	3x3	.16	2.60	3.00	.40	2.06	1.00	3.03	6' Lengths/120'
51017701	High Density	White	4x3	.16	2.60	4.00	.40	3.06	1.50	4.03	6' Lengths/120'
51017687	High Density	Gray	4x3	.16	2.60	4.00	.40	3.06	1.50	4.03	6' Lengths/120'
51017702	High Density	White	1x4	.16	3.60	1.00	.40	4.06	On Center	1.00	6' Lengths/120'
51017688	High Density	Gray	1x4	.16	3.60	1.00	.40	4.06	On Center	1.00	6' Lengths/120'
51017703	High Density	White	2x4	.16	3.60	2.00	.40	4.06	.50	2.02	6' Lengths/120'
51017689	High Density	Gray	2x4	.16	3.60	2.00	.40	4.06	.50	2.02	6' Lengths/120'
51017704	High Density	White	3x4	.16	3.60	3.00	.40	4.06	1.00	3.00	6' Lengths/120'
51017690	High Density	Gray	3x4	.16	3.60	3.00	.40	4.06	1.00	3.00	6' Lengths/120'
51017705	High Density	White	4x4	.16	3.60	4.00	.40	4.06	1.50	4.00	6' Lengths/120'
51017691	High Density	Gray	4x4	.16	3.60	4.00	.40	4.06	1.50	4.00	6' Lengths/120'
<i>Note: Duct w/adhesive available on request</i>											
<b>Covers:</b>											
51017671		White								1.00	6' Lengths/120'
51017653		Gray								1.00	6' Lengths/120'
51017692		White								2.00	6' Lengths/120'
51017655		Gray								2.00	6' Lengths/120'
51017693		White								3.00	6' Lengths/120'
51017669		Gray								3.00	6' Lengths/120'
51017694		White								4.00	6' Lengths/120'
51017670		Gray								4.00	6' Lengths/120'
<b>Accessories:</b>											
		<b>Description</b>									<b>Pkg/Qty</b>
51017715		Panel Rivet									1000
51017716		Panel Rivet Tool									1



**Panel Mounting Rivets and Tool:**  
WAGO Wire-Way panel rivets are one piece drive rivets that provide a fast, economical means of affixing wiring duct. The rivet is inserted into a 3/16" pre-punched hole and the pin is driven into the base, thereby expanding the rivet legs and locking the duct and sub-panel in place. The panel thickness (including the duct thickness) should be a maximum of 3/16". A panel rivet tool is also available for quick and easy installation of the drive rivets.



## X-ON Electronics

Largest Supplier of Electrical and Electronic Components

*Click to view similar products for [Wire Identification](#) category:*

*Click to view products by [Wago](#) manufacturer:*

Other Similar products are found below :

[CU6337-000](#) [CU6342-000](#) [FCA-410-12](#) [11631010](#) [1-1768037-1](#) [1-1768037-2](#) [1-1768050-0](#) [PXLK-VI](#) [Q62184-1](#) [A64304-000](#) [QMT221](#)  
[HK032WE1NF038B](#) [1330-0519-10](#) [1395199-1](#) [1395200-1](#) [1395202-1](#) [DMVF050WE-300S6](#) [D-SCE-1K-2.4-50-4-CS7834](#) [1538738-1](#)  
[E90935-000](#) [EC1238-000](#) [EC1465-000](#) [EC1855-000](#) [EC1859-000](#) [EC1863-000](#) [EC5415-000](#) [EC7277-000](#) [EC7352-000](#) [EC7603-000](#)  
[EC7707-000](#) [EC7735-000](#) [EC7768-000](#) [EC7828-000](#) [EC7854-000](#) [EC7952-000](#) [EC8128-000](#) [1768037-8](#) [1768041-7](#) [NC-127191-10-9](#)  
[HS048WE2NF038B](#) [C03232-000](#) [HTCM-SCE-14-4H-9](#) [HTMS-3/16-9](#) [HT-SCE-1/4-2.0-4](#) [HT-SCE-3/16-2.0-4](#) [HTTMS-1/2-1.50-9](#) [HTTMS-](#)  
[CM-1/2-4H-9](#) [HX-SCE-19.0-50-9](#) [HX-SCE-6.4-50-4](#) [C25254-000](#)