

# 1.5 Watts

## ISL Series



- Single & Dual Regulated Outputs
- 4:1 Input Range
- SMD Package
- Industry Standard Pinout
- 1500 VDC Isolation
- Short Circuit Protection
- 3 Year Warranty

### Specification

#### Input

- Input Voltage Range**
  - 24 V (9-36 VDC)
  - 48 V (18-72 VDC)
- Input Reverse Voltage Protection**
  - None
- Input Surge**
  - 24 V: 40 VDC for 100 ms
  - 48 V: 80 VDC for 100 ms

#### Output

- Output Voltage**
  - See table
- Minimum Load**
  - 10%<sup>(1)</sup>
- Line Regulation**
  - ±0.2% typical
- Load Regulation**
  - ±0.5% typical
- Setpoint Accuracy**
  - ±1%/±3% typical, positive/negative output
- Ripple & Noise**
  - 100 mV pk-pk 20 MHz bandwidth
- Temperature Coefficient**
  - 0.03%/°C
- Short Circuit Protection**
  - Continuous, automatic recovery

#### General

- Efficiency**
  - See table
- Isolation Voltage**
  - 1500 VDC
- Isolation Resistance**
  - 10<sup>9</sup> Ω
- Isolation Capacitance**
  - 1000 pF typical
- Switching Frequency**
  - 550 kHz typical at nominal input, full load
- MTBF**
  - >1 Mhrs to MIL-HDBK-217F at 25 ° C, GB

#### Environmental

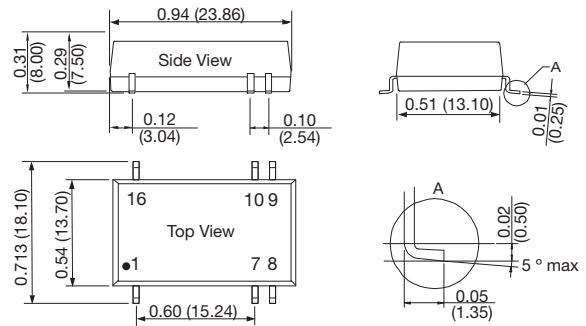
- Operating Temperature**
  - -40 °C to +85 °C, derate from 100% load at 70 °C to 0% load at 100 °C
- Storage Temperature**
  - -55 °C to +125 °C
- Case Temperature**
  - 100 °C max
- Cooling**
  - Convection-cooled
- Lead Temperature**
  - 240 °C, 0.06 in (1.5 mm) from case, 10 s

#### Notes

1. Operation at no load will not damage unit but it may not meet all specifications.

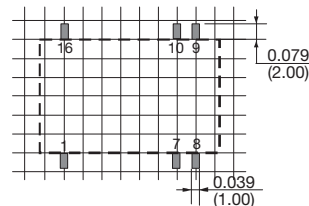
Input Voltage	Output Voltage	Output Current	Efficiency (typ)	Model Number
24 VDC	3.3 V	455 mA	72%	ISL2403A
	5.0 V	300 mA	76%	ISL2405A
	9.0 V	167 mA	78%	ISL2409A
	12.0 V	125 mA	79%	ISL2412A
	15.0 V	100 mA	80%	ISL2415A
	±5.0 V	±150 mA	74%	ISL2405
	±12.0 V	±63 mA	78%	ISL2412
48 VDC	3.3 V	455 mA	72%	ISL4803A
	5.0 V	300 mA	76%	ISL4805A
	9.0 V	167 mA	78%	ISL4809A
	12.0 V	125 mA	79%	ISL4812A
	15.0 V	100 mA	80%	ISL4815A
	±5.0 V	±150 mA	74%	ISL4805
	±12.0 V	±63 mA	78%	ISL4812
	±15.0 V	±50 mA	80%	ISL4815

### Mechanical Details



#### Recommended footprint

Top view grid: 0.1 x 0.1 in (2.54 x 2.54 mm)



Pin	Single	Dual
1	-Vin	-Vin
7	N.C.	N.C.
8	N.C.	0 V
9	+Vo	+Vo
10	0 V	-Vo
16	Vin	Vin

N.C. Not connected

#### Notes

1. All dimensions in inches (mm)
2. Tolerance: ±0.010 (±0.25)
3. Weight: 0.011 lbs (5.2 g)
4. Pin tolerance: ±0.004 (±0.10 mm)

## X-ON Electronics

Largest Supplier of Electrical and Electronic Components

*Click to view similar products for [xp power manufacturer](#):*

Other Similar products are found below :

[FCM400PS12](#) [HDS1500PS48](#) [ASB110PS28](#) [ECE40US24-SD](#) [ECE40US48](#) [ECE60US48-S](#) [ECL15UD02-T](#) [ECM40UT33](#) [ECM60US48](#)  
[EMH250PS12](#) [EML15US24-E](#) [EML30US03-S](#) [IA0524D](#) [ISW0505A](#) [ITV2405SA](#) [JCA0205S05](#) [JCA0248S05](#) [JCD0412D05](#) [JCK3012S05](#)  
[IA2424S](#) [IE1205SH](#) [JCA0305S15](#) [JCG1212S05](#) [JCK6048S12](#) [JTE0624D24](#) [JTL6048S12](#) [JTK3024S15](#) [JTC0648D03](#) [JTC0624S05](#)  
[JSM2524S12](#) [JHL0624S05](#) [ACS40-60 LOOM](#) [JCP4024T0515](#) [JCM3024S12](#) [JCM3012S12](#) [JCK3048S05](#) [RCQ50110S15](#) [JCD0612S05](#)  
[IF0503S](#) [IEU0224D12](#) [IEQ0524S3V3](#) [IEU0312D05](#) [IEQ0548S24](#) [VER36US120-JA](#) [VER18US150-JA](#) [AH20N-12](#) [ECM40/60S LOOM](#)  
[MTC3528S12](#) [ECL15 DIN CLIP](#) [A20N-5](#)