

Indicators LED & LED Buzzer

LED & LED Buzzer



The versatility of this compact unit allows it to be used with the majority of detectors to provide convenient remote indication.

Available as a simple high brightness LED or with an integral buzzer, this indicator has many uses in applications where aesthetics is a key consideration.

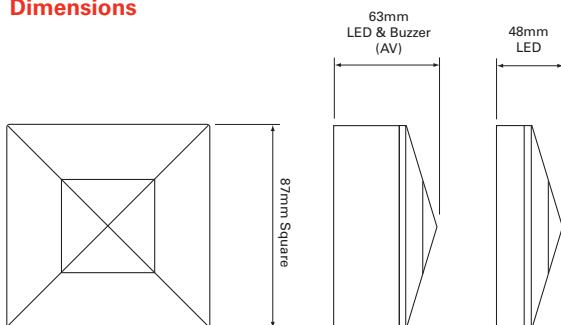
Features

- Slim-line design
- Wide operating voltage
- Low current
- Integral buzzer option

Benefits

- Unobtrusive, blends in with modern building design
- Suitable for a wide range of applications
- Maximises the number of units in a circuit
- Ideal when both an audible and visual indicator is required

Dimensions



Technical Specification

Voltage	3 - 20Vdc 5 - 30Vdc (user selectable)
Current	6mA 15mA (AV version)
Resistor	0 / 1k5 / 3k6 (user selectable)
Temperature	- 20°C to + 60°C
Protection	IP23
Construction	ABS
Weight	0.08Kg LED 0.1Kg LED Buzzer
Colour	White
Lens Colour	Red

Catalogue Numbers

Reference	Cat No	Description
LED	600111FUL-0000	Remote Indicator, Red Lens
LED + Buzzer	600112FUL-0000	Remote Indicator with Integral Buzzer, Red Lens

X-ON Electronics

Largest Supplier of Electrical and Electronic Components

Click to view similar products for [fulleon](#) manufacturer:

Other Similar products are found below :

[SYHO/R 1320-24](#) [ROLP/R/MAINS BASE](#) [FL/AL/W/S](#) [ROLP/SV/W/D](#) [FB/230/G](#) [CFB6D24](#) [FL/SV/AL/W/D](#) [531036FULL-0073](#)
[FL/SV/RL/R/D](#) [666156FULL-1101X](#) [ROLP/SV/R/S](#) [AP/W/SWITCHED/VC](#)