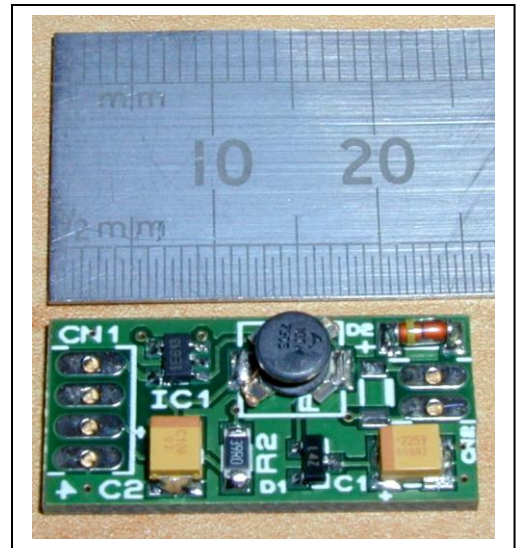


LEDV1

LEDV1 is a small board designed to drive the LED back light of various LCD displays.

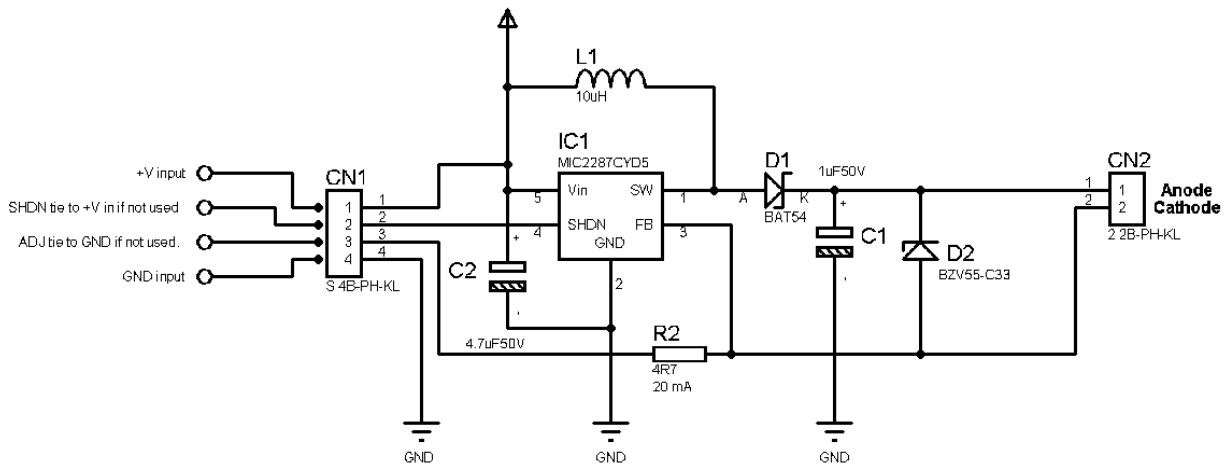
FEATURES

- High Output Voltage: Up to 33V.
- Optimized for Single Supply, typically 3.3v to 10v (12.0v max).
- High Efficiency: Greater Than 80%.
- Dimensions 25 x 12 x 5 mm.



CN1 input connector. 4 way 2mm pitch.	Description
1	+V Input 3.3v to 10V (12V Max)
2	SHDN High to turn on. Low to shut down.
3	ADJ Brightness adjustment via resistor to ground.
4	GND Ground Input.

CN2 output connector. 2 way 2mm pitch.	Description
1	A LED Anode connection +.
2	K LED cathode connection -.



Notes:

- 1) Current can be set by setting R2 resistance to ground. $I = 0.095/R2$.
4R7 = 20mA (Default)
- 2) D2 is a 33V zener used to restrict the output voltage if the output connector is open circuit.
- 3) Please refer to the MICREL MIC2287C specification for more details.

X-ON Electronics

Largest Supplier of Electrical and Electronic Components

Click to view similar products for [midas](#) manufacturer:

Other Similar products are found below :

[MCT070LA12W1024600LML](#) [MCOT128064BY-WM](#) [MCOB21609AV-EWP](#) [MC42004A6W-SPTLY](#) [MC22008B6W-SPR](#)

[MCT035G12W320240LML](#) [MC11605A6WR-SPTLY-V2](#) [MC21605H6W-BNMLW-V2](#) [MCOT048064A1V-YI](#)

[MCT101E0CW1280800LMLIPS](#) [MCT104A0W1024768LML](#) [MCT070Z0W800480LML](#) [MCIB-16-LVDS-CABLE](#) [MC41605A6W-FPTLA-](#)

[V2](#) [MCOT128064UA1V-WM](#) [MCT101E0TW1280800LMLIPS](#) [MCT150B0W1024768LML](#) [MCT050HDMI-A-RTP](#) [MCT050HDMI-A-CTP](#)

[MCT070Z0TW1W800480LML](#) [MCT050ACA0CW800480LML](#) [MC42008A6W-SPTLY](#) [MC42005A12W-VNMLY](#) [MC42005A12W-](#)

[VNMLG](#) [MCT052A6W480128LML](#) [MC21605A6WK-BNMLW-V2](#) [MCOT256064A1A-BM](#) [MCOT22005A1V-EYM](#) [MC20805A12W-](#)

[VNMLG](#) [MC21605B6WD-BNMLW-V2](#) [MC22405A6WK-BNMLW-V2](#) [MC41605A6WK-FPTLW-V2](#) [MCT101HDMI-A-RTP](#)

[MCT024L6W240320PML](#) [MCCOG21605D6W-FPTLWI](#) [MC21605A6WD-SPTLY-V2](#) [MC22005A6WK-BNMLW-V2](#) [MC42004A6WK-](#)

[SPTLY-V2](#) [MC11609A6W-SPTLY-V2](#) [MC24005AA6W9-BNMLW-V2](#) [MCOT064048A1V-YM](#) [MCOT128064BY-BM](#)

[MCCOG128064B12W-FPTLRGB](#) [MC11609A6W-SPR-V2](#) [MC21605H6WK-BNMLW-V2](#) [MCOT128064E1V-BM](#) [MCT070HDMI-B-RTP](#)

[MDT5000C](#) [MCCOG42005A6W-BNMLWI](#) [MC11605A12W-VNMLB](#)