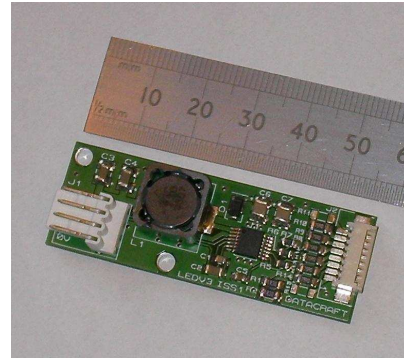


# LEDV3

LEDV3 is a small board designed to drive the LED back light of various LCD displays.

## FEATURES

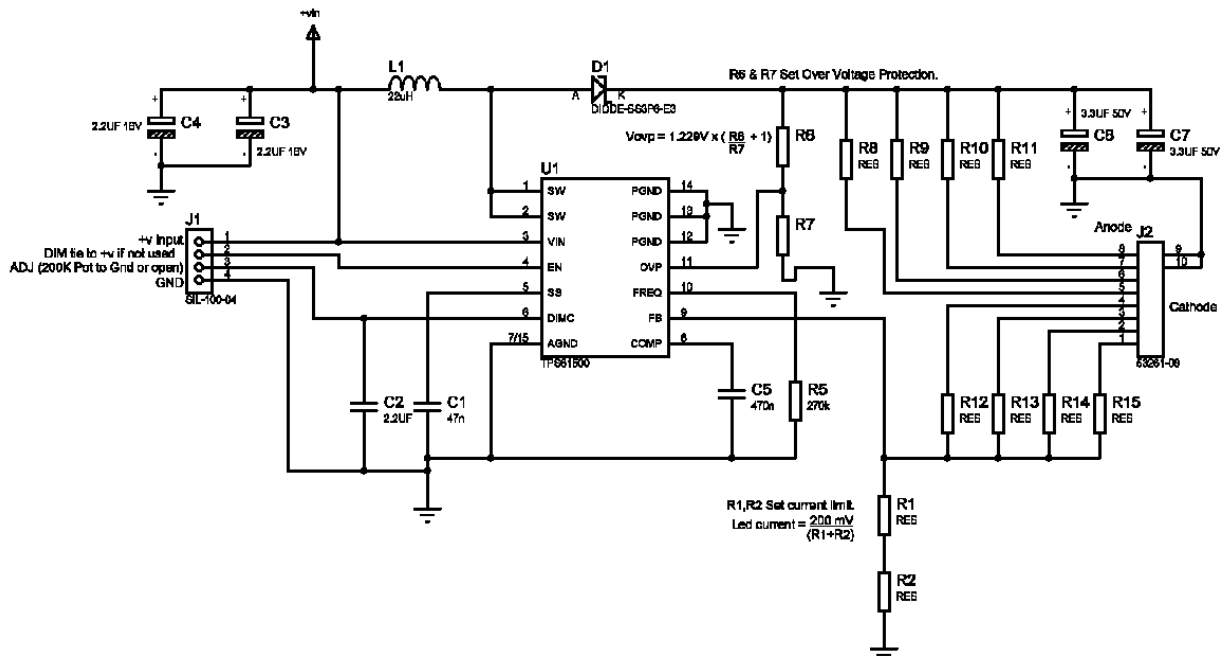
- High Output Voltage: Up to 40V.
- High Output Current Switch: Up to 3A..
- Input voltage range 2.9v to 16.0v input.
- Brightness adjustment.
- High Efficiency: Up to 93%.
- Ballast resistors for up to 4 channels.



■ Dimensions 57 x 20 x 9 mm.

J1 input connector. 4 way Molex 22-05-1042		Description
1	+VIN	Input 2.9v to 16V
2	ENABLE	High to turn on. Low to shut down or PWM input. Connect to +V if not used.
3	DIM	Brightness adjustment via 200K pot to ground (Leave open for max brightness)
4	0V	Ground Input.

J2 output connector. 8 way Molex 51201		Description
1	K 1	CHANNEL 1 LED cathode connection -.
2	K 2	CHANNEL 2 LED cathode connection -.
3	K 3	CHANNEL 3 LED cathode connection -.
4	K 4	CHANNEL 4 LED cathode connection -.
5	A 1	CHANNEL 1 LED Anode connection +.
6	A 2	CHANNEL 2 LED Anode connection +.
7	A 3	CHANNEL 3 LED Anode connection +.
8	A 4	CHANNEL 4 LED Anode connection +.



Please refer to Texas Instruments TPS61500 specification for further detail.

## X-ON Electronics

Largest Supplier of Electrical and Electronic Components

*Click to view similar products for [midas](#) manufacturer:*

Other Similar products are found below :

[MCT070LA12W1024600LML](#) [MCOT128064BY-WM](#) [MCOB21609AV-EWP](#) [MC42004A6W-SPTLY](#) [MC22008B6W-SPR](#)

[MCT035G12W320240LML](#) [MC11605A6WR-SPTLY-V2](#) [MC21605H6W-BNMLW-V2](#) [MCOT048064A1V-YI](#)

[MCT101E0CW1280800LMLIPS](#) [MCT104A0W1024768LML](#) [MCT070Z0W800480LML](#) [MCIB-16-LVDS-CABLE](#) [MC41605A6W-FPTLA-V2](#) [MCOT128064UA1V-WM](#) [MCT101E0TW1280800LMLIPS](#) [MCT150B0W1024768LML](#) [MCT050HDMI-A-RTP](#) [MCT050HDMI-A-CTP](#)

[MCT070Z0TW1W800480LML](#) [MCT050ACA0CW800480LML](#) [MC42008A6W-SPTLY](#) [MC42005A12W-VNMLY](#) [MC42005A12W-](#)

[VNMLG](#) [MCT052A6W480128LML](#) [MC21605A6WK-BNMLW-V2](#) [MCOT256064A1A-BM](#) [MCOT22005A1V-EYM](#) [MC20805A12W-](#)

[VNMLG](#) [MC21605B6WD-BNMLW-V2](#) [MC22405A6WK-BNMLW-V2](#) [MC41605A6WK-FPTLW-V2](#) [MCT101HDMI-A-RTP](#)

[MCT024L6W240320PML](#) [MCCOG21605D6W-FPTLWI](#) [MC21605A6WD-SPTLY-V2](#) [MC22005A6WK-BNMLW-V2](#) [MC42004A6WK-](#)

[SPTLY-V2](#) [MC11609A6W-SPTLY-V2](#) [MC24005AA6W9-BNMLW-V2](#) [MCOT064048A1V-YM](#) [MCOT128064BY-BM](#)

[MCCOG128064B12W-FPTLRGB](#) [MC11609A6W-SPR-V2](#) [MC21605H6WK-BNMLW-V2](#) [MCOT128064E1V-BM](#) [MCT070HDMI-B-RTP](#)

[MDT5000C](#) [MCCOG42005A6W-BNMLWI](#) [MC11605A12W-VNMLB](#)