

LABFACILITY

TEMPERATURE & PROCESS TECHNOLOGY

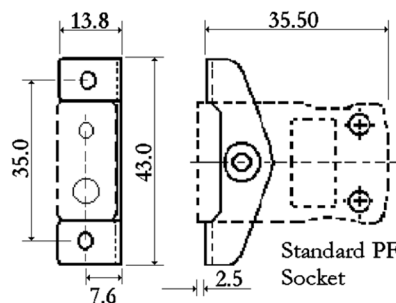
Standard Thermocouple Socket with Stainless Steel mounting bracket



'Maximum continuous operating temperature 220 deg°C'

- Standard size in-line Thermocouple Socket with stainless steel panel mounting bracket
- Intended for use in more industrial processes but can be used in all applications as desired
- Available in Thermocouple types K, J, T, E, N, R/S, B
- For Types K, J, T, E & N contacts are made from true Thermocouple alloys
- B type has compensating copper/copper contacts
- Colour coded in accordance with IEC specification

T/C Type	Colour Code (IEC)	+Positive Contact (alloy type)	-Negative Contact (alloy type)	Product Code	Farnell order Code
K	Green	+Nickel Chromium	-Nickel Alloy	IS-K-SSPF	234-0574
B	Grey	+Copper	-Copper	IS-B-SSPF	234-7082
E	Violet	+Nickel Chromium	-Copper Nickel	IS-E-SSPF	234-7083
J	Black	+Iron	-Copper Nickel	IS-J-SSPF	234-7084
N	Pink	+Nickel/Chro/Silicon	-Nickel Silicon	IS-N-SSPF	234-7085
R/S	Orange	+Copper	-Copper Alloy	IS-R/S-SSPF	234-7086
T	Brown	+Copper	-Copper Nickel	IS-T-SSPF	234-7087



FAR021/0313. Standard Thermocouple Socket with Stainless Steel mounting bracket

About Labfacility

Formed in 1971, Labfacility specialize in the field of Temperature and Process Measurement.

We are the largest UK manufacturer of both temperature sensors and thermocouple connectors

Quality & Service

Quality and Service are key elements in the continued growth of Labfacility.

Technical support is always freely available from our experienced technical sales teams and the company has ISO9001 accreditation.

Contact Details

Email sales@labfacility.com

Website www.labfacility.com



X-ON Electronics

Largest Supplier of Electrical and Electronic Components

Click to view similar products for [labfacility manufacturer](#):

Other Similar products are found below :

[CT-Z4-PFA-K-2](#) [FC-131](#) [MD-ISK-S45-250-P5-IEC](#) [MC-ISK-S60-300-KNS-I](#) [RAA-S3A-60-100-P1-2.0-C1-T](#) [WT-304-ANSI X 100M](#) [IM-B-PCB](#) [Z2-T-10.0-MP-1/0.315 PFA TTP+MP IEC](#) [WK-150/50M \(IEC\)](#) [XF-945-FAR](#) [XF-946-FAR](#) [XF-947-FAR](#) [XF-949-FAR](#) [XF-955-FAR](#) [XF-960-FAR](#) [XF-962-FAR](#) [XF-966-FAR](#) [XF-989-FAR](#) [XF-1074-FAR](#) [XF-1216-FAR](#) [XF-1172-FAR](#) [XF-1222-FAR](#) [XF-1238-FAR](#) [XF-1190-FAR](#) [XF-1109-FAR](#) [XF-1110-FAR](#) [XF-1140-FAR](#) [XF-1111-FAR](#) [XF-1112-FAR](#) [XF-1123-FAR](#) [XF-1136-FAR](#) [XF-1149-FAR](#) [XF-1150-FAR](#) [XF-1151-FAR](#) [XF-1146-FAR](#) [XF-1245-FAR](#) [XF-1249-FAR](#) [XF-1113-FAR](#) [XF-1178-FAR](#) [XF-1180-FAR](#) [XF-1183-FAR](#) [XF-1184-FAR](#) [XF-1255-FAR](#) [XF-1258-FAR](#) [XF-1265-FAR](#) [XF-1266-FAR](#) [XF-1274-FAR](#) [XF-1277-FAR](#) [XF-1283-FAR](#) [XF-1288-FAR](#)