

## ISG Series



- Regulated Single Output
- SMD Package
- Industry Standard Pinout
- 1000 VDC Isolation
- Short Circuit Protection
- MTBF >3.5 Mhrs
- 3 Year Warranty

### Specification

#### Input

- Input Voltage Range • Nominal  $\pm 5\%$
- Input Reverse Voltage Protection • None

#### Output

- Output Voltage • See table
- Minimum Load • 10%<sup>(2)</sup>
- Line Regulation •  $\pm 0.25\%$
- Load Regulation •  $\pm 1\%$ , 10-100% load change
- Setpoint Accuracy •  $\pm 3\%$  at 100% load
- Ripple & Noise • 100 mV pk-pk 20 MHz bandwidth
- Temperature Coefficient • 0.03%/°C
- Short Circuit Protection • Continuous

#### General

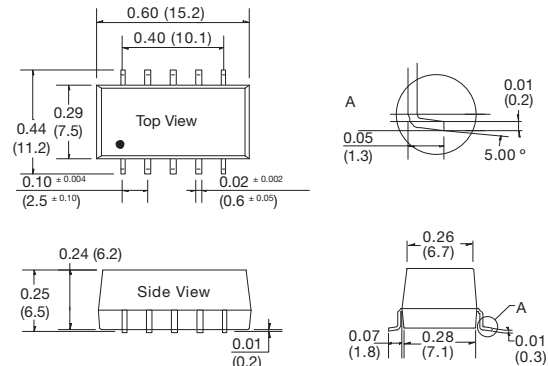
- Efficiency • See table
- Isolation Voltage • 1000 VDC
- Isolation Resistance •  $10^9 \Omega$
- Switching Frequency • 100 kHz typical at nominal input, full load
- MTBF • >3.5 Mhrs to MIL-HDBK-217F at 25 °C, GB

#### Environmental

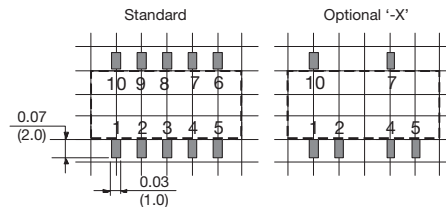
- Operating Temperature • -40 °C to +85 °C, derate from 100% load at 70 °C to 60% load at 85 °C
- Storage Temperature • -55 °C to +125 °C
- Case Temperature • 100 °C max
- Cooling • Convection-cooled
- Lead Temperature • 260 °C, 0.06 in (1.5 mm) from case, 10 s

Input Voltage	Output Voltage	Output Current	Efficiency (typical)	Model Number <sup>(1)</sup>
5 VDC	5 V	150 mA	68%	ISG0505A
	15 V	67 mA	69%	ISG0515A
12 VDC	15 V	67 mA	70%	ISG1215A

### Mechanical Details



Recommended footprint  
Top view grid: 0.1 x 0.1 in (2.54 x 2.54 mm)



Pin	Standard	'-X' Version
1	GND	GND
2	V <sub>in</sub>	V <sub>in</sub>
4	0 V	0 V
7	+V <sub>o</sub>	+V <sub>o</sub>
3, 6, 8, 9	N.C.	No Pin
5, 10	N.C.	N.C.

N.C. Not connected

#### Notes

- For optional '-X' pin configuration, add suffix '-X' to part number.
- Operation at no load will not damage device but may not meet all specifications.
- All dimensions in inches (mm)
- Tolerance:  $\pm 0.010$  ( $\pm 0.25$ )
- Weight: 0.003 lbs (1.7 g)
- Pin tolerance:  $\pm 0.004$  ( $\pm 0.10$  mm)

## X-ON Electronics

Largest Supplier of Electrical and Electronic Components

*Click to view similar products for [XP Power](#) manufacturer:*

Other Similar products are found below :

[E70](#) [IMA0105S3V3](#) [JCD0605S05](#) [DLE45PS36](#) [ECE60US09](#) [EML15US24-E](#) [IL0503S](#) [ITV2405SA](#) [JCD0412D05](#) [JCK1524D05](#)  
[SDH400PD1224](#) [SMH600PD1224-EF](#) [GSP500PS48-EF](#) [RDD0824D15](#) [MHP1000PS24](#) [JCA0305S15](#) [JCA0605S03](#) [JCD0424S15](#)  
[JCG1212S05](#) [JCK2012S15](#) [JCK6048S12](#) [DLG75PS36](#) [A025P-5](#) [JTL6048S12](#) [JTC0648D03](#) [ACS40-60](#) [LOOM](#) [JCK3048S05](#) [JCG1512D15](#)  
[IEQ0524S3V3](#) [AH05P-5](#) [EMH350PS48](#) [MTC3528S12](#) [ECM100US07](#) [A12N-5](#) [SDS120PT07B](#) [C06N](#) [HDS3000PS30](#) [HDS1500PS30](#)  
[IT4812SA](#) [IT4812S](#) [IT4803SA](#) [LDU4860S250-WD](#) [ISE2405A](#) [EML30US09-P](#) [EML15US05-P](#) [ECL15US24-T](#) [ECL15UD01-T](#)  
[SHP350PS28](#) [Q60N-5](#) [Q20N-5](#)