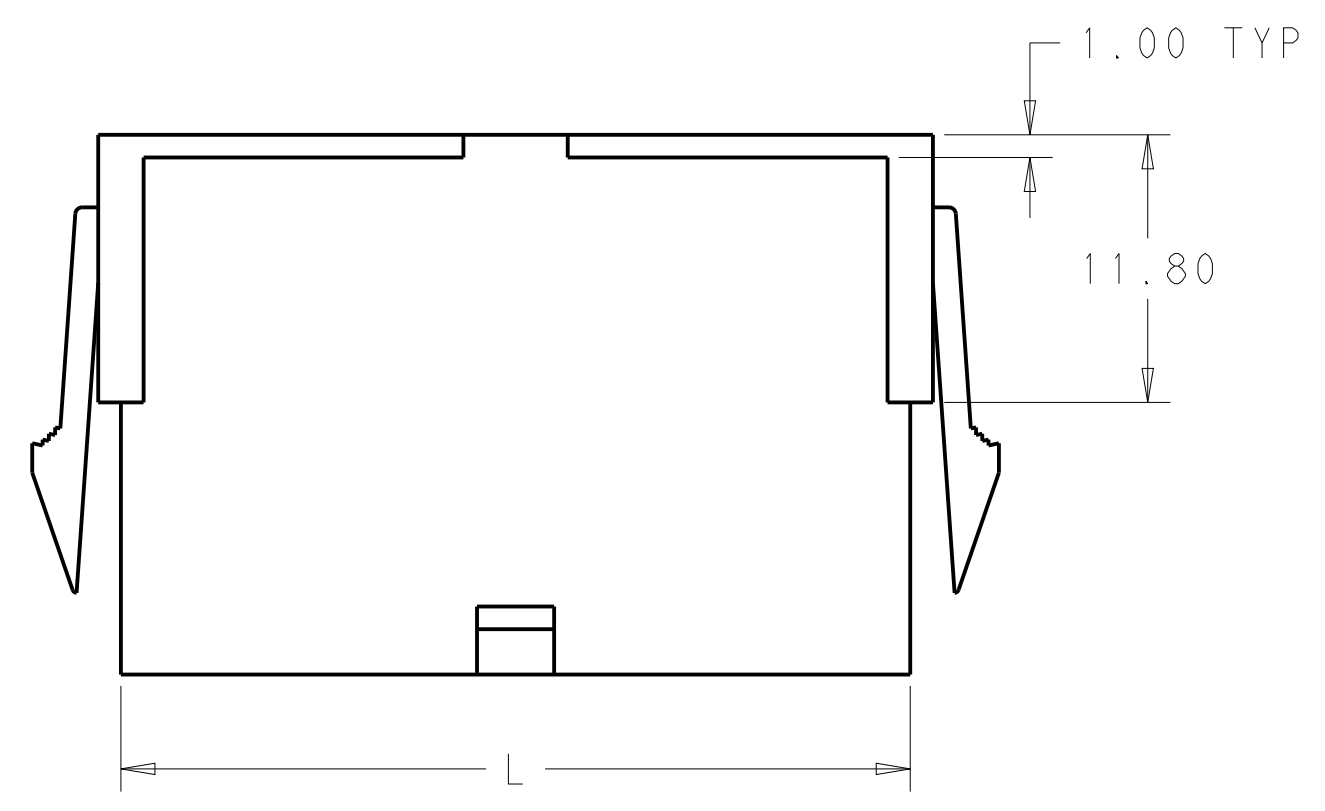
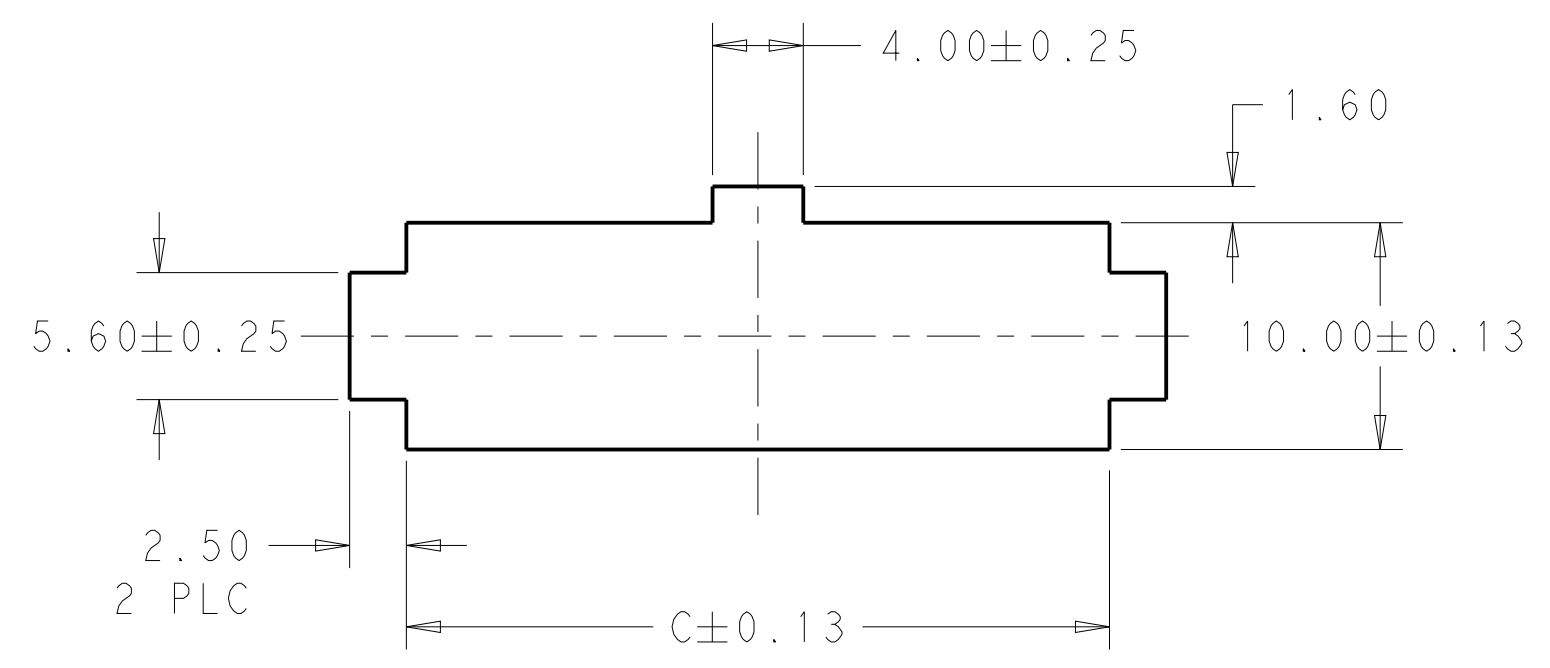
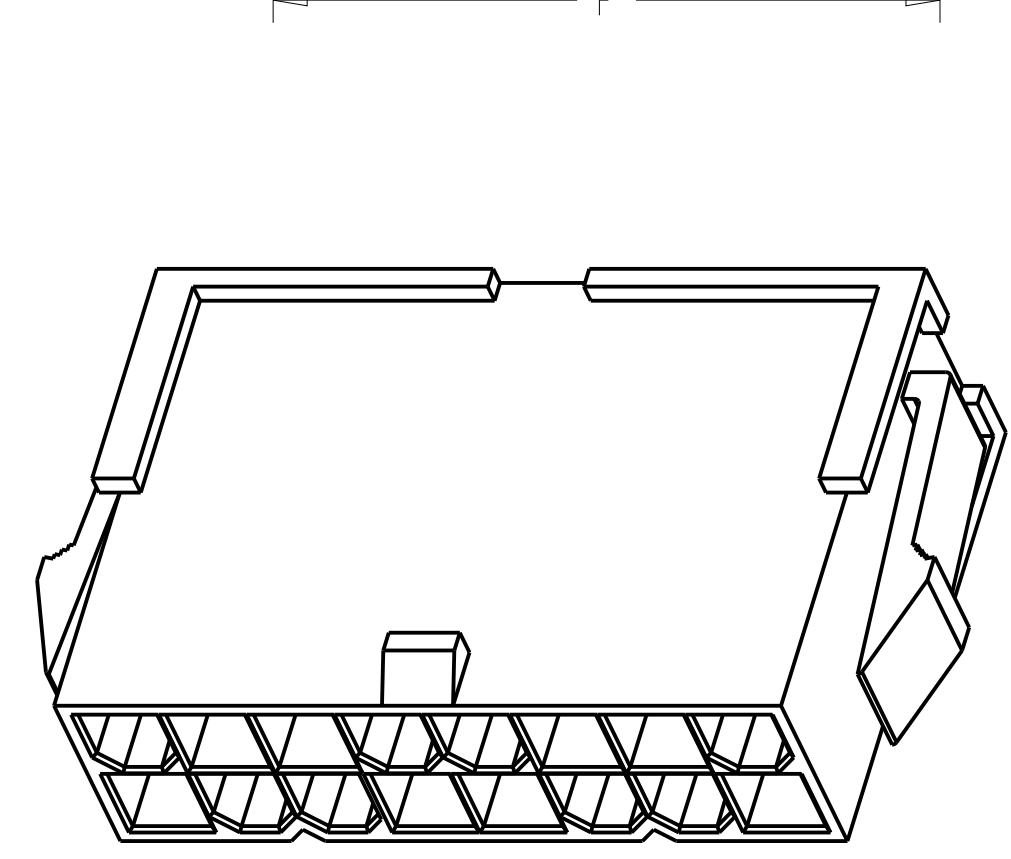
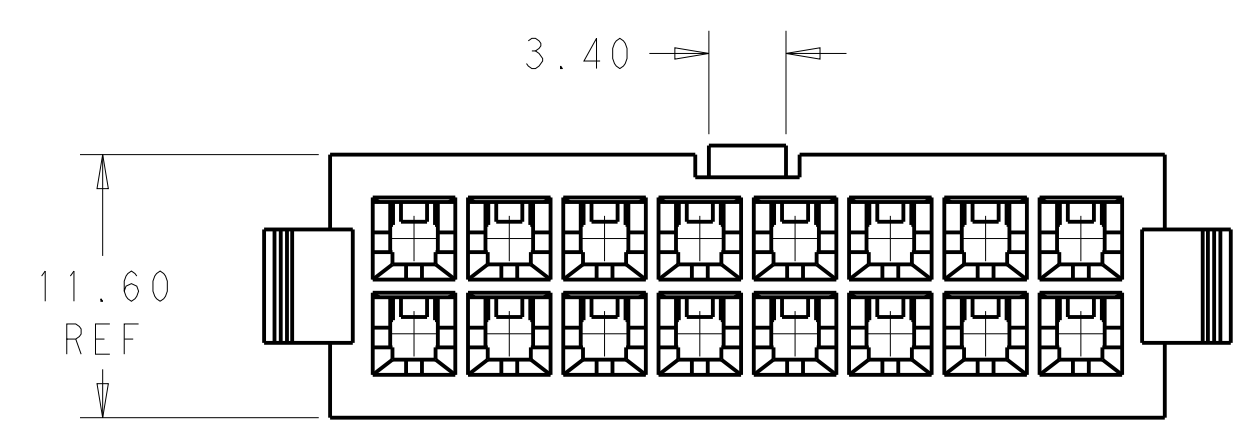
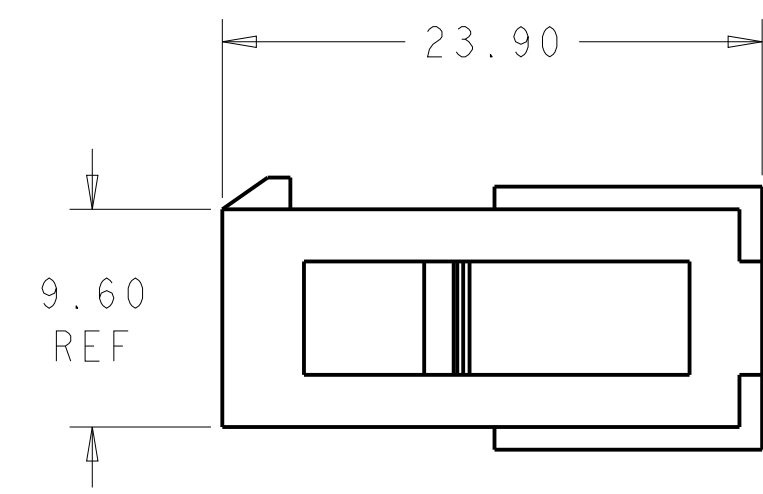
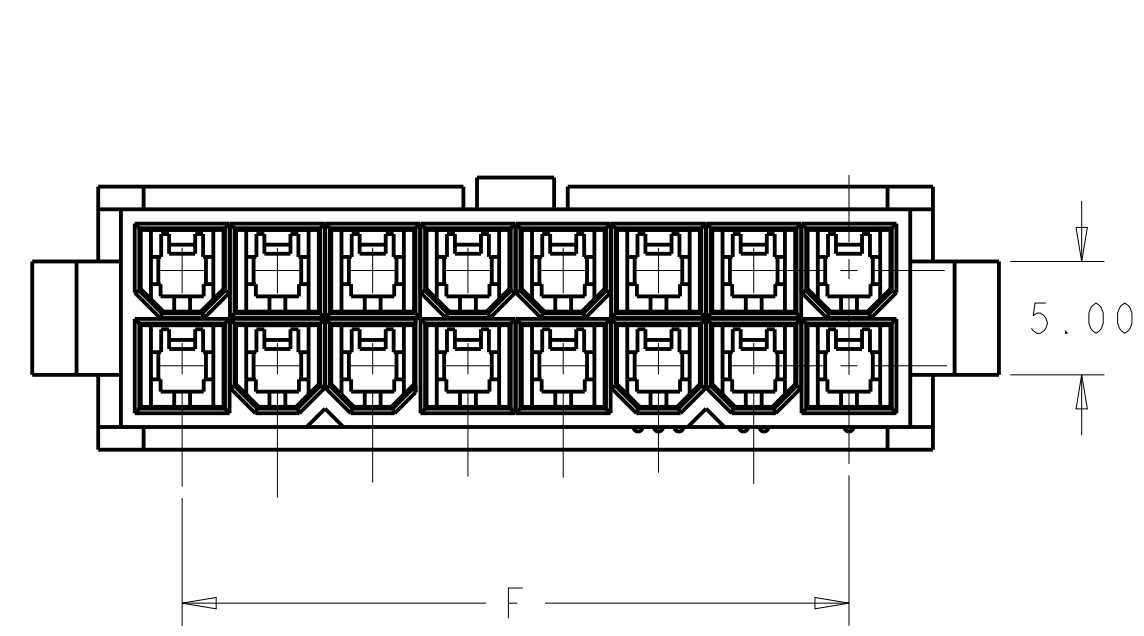


THIS DRAWING IS UNPUBLISHED. RELEASED FOR PUBLICATION 20  
 © COPYRIGHT 20 BY - ALL RIGHTS RESERVED.

LOC		DIST		REVISIONS			
P	LTR	DESCRIPTION	DATE	DWN	APVD		
AF	-	A1	REVISED PER ECR-14-004708	28MAR14	JR	KR	



- 1 POLYAMIDE, UL94V-2, COLOR- WHITE
- 2 FLAMMABILITY V2 FOR THICKNESS 0.38mm, 1.5mm NAD 3.0mm PER IEC 60695-11-10.
- 3 GLOW-WIRE FLAMMABILITY (GWFI) 800°C FOR THICKNESS 0.38mm AND 0.75mm PER IEC 60695-2-12.
- 4 GLOW-WIRE FLAMMABILITY (GWFI) 960°C FOR THICKNESS 1.5mm AND 3.0mm PER IEC 60695-2-12.
- 5 GLOW-WIRE IGNITION (GWIT) 825°C FOR THICKNESS 0.38mm, 0.75mm, 1.5mm AND 3.0mm PER IEC 60695-2-13.
- 6 COMPLY WITH GLOW WIRE REQUIREMENTS FOR PARTS OF NON-METALLIC MATERIAL SUPPORTING A CURRENT-CARRYING CONNECTION DETAILED IN IEC 60335-1, SECTION 30(GWT).



52.00	46.2	51.60	24	2-1969605-4
47.80	42.0	47.40	22	2-1969605-2
43.60	37.8	43.20	20	2-1969605-0
39.40	33.6	39.00	18	1-1969605-8
35.20	29.4	34.80	16	1-1969605-6
31.00	25.2	30.60	14	1-1969605-4
26.80	21.0	26.40	12	1-1969605-2
22.60	16.8	22.20	10	1-1969605-0
18.40	12.6	18.00	8	1969605-8
14.20	8.4	13.80	6	1969605-6
10.00	4.2	9.60	4	1969605-4
5.80	--	5.40	2	1969605-2
DIM C	DIM F	DIM L	NO. OF POS	PART NO.

RECOMMENDED CUT-OUT FOR 2.00 MAX THICK PANEL

PANEL MUST BE PUNCHED OUT SO THAT THE HOUSING ENTERS THE PANEL IN THE SAME DIRECTION AS THE PUNCH.

THIS DRAWING IS A CONTROLLED DOCUMENT.

DIMENSIONS: mm	TOLERANCES UNLESS OTHERWISE SPECIFIED:	DWN: JR RUTH 26SEPT13	TE Connectivity
	0 PLC ±	CHK: KURT RANDOLPH 26SEPT13	
	1 PLC ±	APVD: KURT RANDOLPH 26SEPT13	
	2 PLC ±0.25	NAME: KURT RANDOLPH	
	3 PLC ±	PRODUCT SPEC: -	PANEL MOUNT PLUG HOUSING VAL-U-LOK, GLOW WIRE
	4 PLC ±	APPLICATION SPEC: -	SIZE: A200779
	ANGLES ±	WEIGHT: -	DRAWING NO: C-1969605
MATERIAL:	FINISH: -	Customer Drawing	RESTRICTED TO: -
SCALE: 3:1			SHEET 1 OF 1
REV: A1			

## X-ON Electronics

Largest Supplier of Electrical and Electronic Components

*Click to view similar products for [Headers & Wire Housings](#) category:*

*Click to view products by [TE Connectivity](#) manufacturer:*

Other Similar products are found below :

[95000-104TRLF](#) [10135584-644402LF](#) [DF62W-EP2022PCA](#) [95000-106TRLF](#) [DF62W-2022SCA](#) [DF62W-EP2022PC](#) [2203348](#) [DF62W-2022SC](#) [1084018](#) [1029039](#) [1084017](#) [802-10-012-10-002000](#) [1112640](#) [1112639](#) [891-007-9SS-BST1T](#) [000-34000](#) [0008550134](#) [0009482033](#) [0009507031](#) [57102-F02-18ULF](#) [57102-S06-03LF](#) [57202-S52-04LF](#) [PCN6-15S-2.5E](#) [0039019024](#) [58102-G61-06LF](#) [582553-1](#) [0009485154](#) [0009508121](#) [0022285053](#) [0050291907](#) [018731A](#) [LY20-4P-DT1-P1E-BR](#) [02.125.8002.8](#) [60101931](#) [60598-1 \(Cut Strip\)](#) [M1625-3R/100](#) [61062-3](#) [61082-181009](#) [CSU011177004](#) [636-1427](#) [638009-1](#) [641938-9](#) [641991-4](#) [644168-1](#) [644827-2](#) [647662-1](#) [65039-019ELF](#) [65692-001LF](#) [65781-018](#) [65781-047](#)