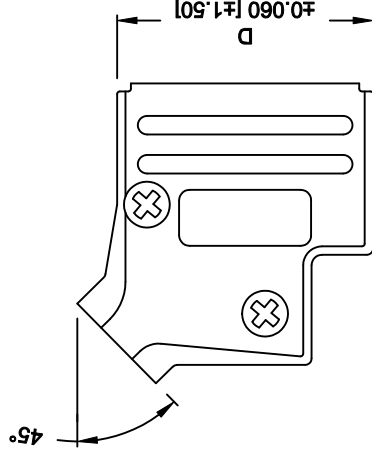
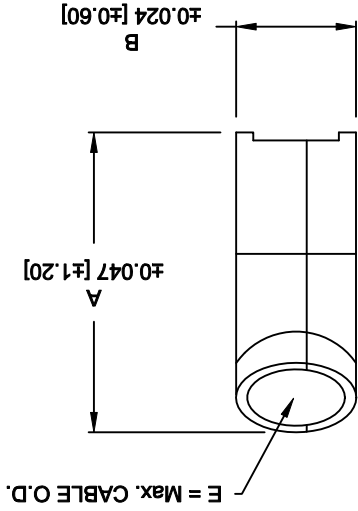
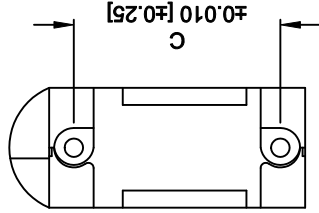


DESCRIPTION: 45° ENTRY - DIE CAST

DIMENSIONS (IN.)					
No. OF PINS	A	B	C	D	E
09	1.429	0.571	0.984	1.220	0.512
	36.30	14.50	24.99	31.00	13.00
15	1.587	0.571	1.312	1.555	0.512
	40.30	14.50	33.32	39.50	13.00
25	1.587	0.571	1.852	2.094	0.512
	40.30	14.50	47.04	53.20	13.00
37	1.587	0.571	2.500	2.744	0.512
	40.30	14.50	63.50	69.70	13.00

ROHS COMPLIANT



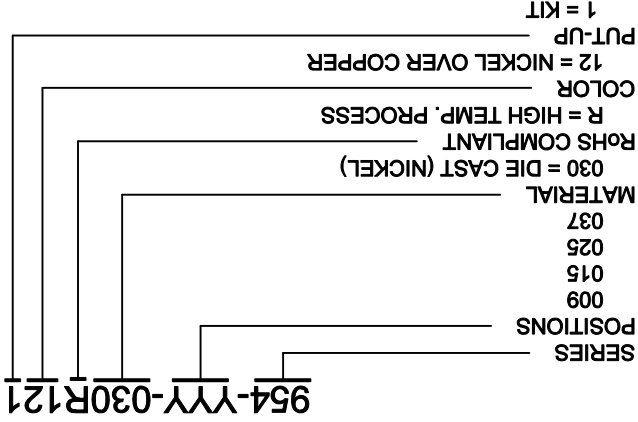
NorComp



THESE DRAWINGS AND SPECIFICATIONS ARE THE PROPERTY OF NorComp AND SHALL NOT BE REPRODUCED, COPIED OR USED AS THE BASIS FOR THE MANUFACTURE OF SALE OF APPARATUS WITHOUT WRITTEN PERMISSION.

DO NOT SCALE FROM DRAWING

DWG NO.:	954-YY-030R121
SCALE:	1:1
SHEET	1 OF 1
REV	2
CHECKED:	DATE:
DRAWN:	C. SMITH
DATE:	03-30-07



BACKSHELL KIT INCLUDES:

- (2) BACKSHELL HALVES
- (2) MOUNTING SCREWS
- (1) PLASTIC INSERTS TREE (4-SETS)

DIAMETERS: 0.157 [4.00], 0.167 [5.00], 0.276 [7.00], 0.354 [9.00]

OPERATING TEMPERATURE: -40°C TO +120°C

MATERIAL: ZINC, NICKEL PLATED, COPPER UNDER PLATE, STEEL, ZINC PLATED
 COMPRESSION INSERT: ABS, UL94-HB

SPECIFICATION:

X-ON Electronics

Largest Supplier of Electrical and Electronic Components

Click to view similar products for [D-Sub Backshells](#) category:

Click to view products by [NorComp](#) manufacturer:

Other Similar products are found below :

[173114-0084](#) [173112-1658](#) [600X51137X](#) [600X54009X](#) [66241-12A](#) [M85049/48-1-2](#) [M85049/48-3-5F](#) [M85049/6-38N](#) [M85049/86-12N03](#)
[70.350.0636.4](#) [70.350.2435.1](#) [72.350.1035.2](#) [72.352.2435.1](#) [73.359.4035.3](#) [799-015TMH07M](#) [799-015TMH08N](#) [FKH1RE](#) [829472-1](#) [F-](#)
[PHG-1E](#) [F-PHG-3E](#) [F-PHG-4E](#) [F-PHR-4E](#) [PCS-E20W](#) [8655MHRA0901KLF](#) [8655MHRA2501KLF](#) [958-009-010R011](#) [970-015-040R011](#)
[970-025-030R121](#) [970-025-040R011](#) [971-009-030R121](#) [971-009-040R011](#) [971-015-040R011](#) [971-025-040R011](#) [GS85049/38-25M](#) [975T009-](#)
[020R121](#) [975T015-020R121](#) [1-21986-2](#) [1-21986-5](#) [DB-20962](#) [DE-C8-J9-F4-1R](#) [DE-C8-J9-F5-1R](#) [DPH-B-003](#) [1437013-9](#) [1484402-8](#)
[MS3057-10A](#) [156-3025-EX](#) [MS3417-16C](#) [16-500800](#) [165X02659X](#) [165X03329A](#)