

CAMBLOCK

10mm Pitch Standard Profile Rising Clamp Terminal

- 2-12 pole interlocking terminal block with pin spacing of 10mm for high voltage operation
- Moulded in green UL94-V0 flame retardant PA66
- Professional rising clamp terminals
- 0.32-3.3 mm² (22-12 AWG)
- Guided pin alignment
- Captive screw

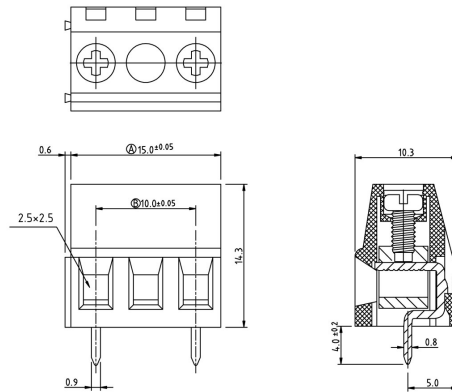
CTB0202



TYPE NO.	POLES	LENGTH
CTB0202/2	2	15.2mm
CTB0202/3	3	25mm
CTB0202/4	4	35mm
CTB0202/5	5	45mm
CTB0202/6	6	55mm
CTB0202/7	7	75mm
CTB0202/8	8	85mm
CTB0202/9	9	95mm
CTB0202/10	10	105mm
CTB0202/11	11	115mm
CTB0202/12	12	125mm

SPECIFICATION

Rating	10A 300V
Insulation resistance	5000MΩ/1000V
Withstand Voltage	AC1500V/1min
Contact Resistance	20mΩ
Working Temperature	-33°C to +120°C
Mouldings	UL94-V0 flame retardant PA66
Pin/Terminal	Tin plated brass
Wire Clamp	Nickel plated brass
Screw/Torque	M2.5 Steel, Nickel Plated 0.4Nm
Recommended PCB hole size	ø1.5mm



10mm Pitch Low Profile Rising Clamp Terminal

- 2-12 pole interlocking terminal block with pin spacing of 10mm for high voltage operation
- Professional rising clamp terminals
- Moulded in green UL94-V0 flame retardant PA66
- 0.13-1.31mm² (26-16 AWG)
- Guided pin alignment
- Captive screw

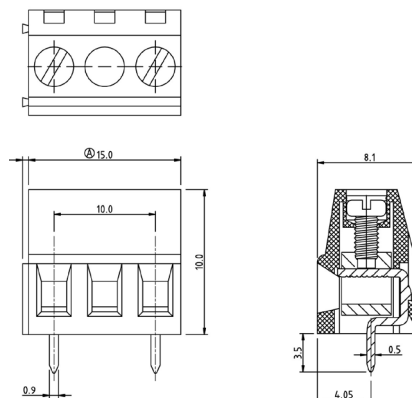
CTB0602



TYPE NO.	POLES	LENGTH
CTB0602/2	2	15.2mm
CTB0602/3	3	25mm
CTB0602/4	4	35mm
CTB0602/5	5	45mm
CTB0602/6	6	55mm
CTB0602/7	7	65mm
CTB0602/8	8	75mm
CTB0602/9	9	85mm
CTB0602/10	10	95mm
CTB0602/11	11	105mm
CTB0602/12	12	115mm

SPECIFICATION

Rating	10A/300V
Dielectric strength	≥2kV
Insulation resistance	5000MΩ/1000V
Working temperature	-33°C to +120°C
Moulding	UL94-V0 flame retardant PA66
Pin/terminal	Tin plated br
Wire clamp	Nickel plated brass
Screw/torque	M2.5 steel Ni plated
Recommended PCB hole size	ø1.4mm



X-ON Electronics

Largest Supplier of Electrical and Electronic Components

Click to view similar products for [camden manufacturer](#):

Other Similar products are found below :

[412689X](#) [CTBP92HE/10](#) [CTBP92VE/12R](#) [CTBP9350/12](#) [IND515205-240-T/GRN](#) [IND515205-240-T/RD](#) [IND5032405-240-T/GRN](#)
[CE10.00.EI](#) [C192SHAND](#) [RTM5006/16-PAT](#) [CNMB/6ST/2](#) [CNMB/4ST/2](#) [CSACST004](#) [CTBP9200/9](#) [CIME/M/BE2250SS](#) [CHH64E1BL](#)
[CIM/15W-DMFS](#) [CHHBAT2GY](#) [CFTBN/2](#) [CCB2S1/04](#) [CHDX6-222C](#) [CHDX8-224](#) [CHDASMP29](#) [CHDASMP34](#) [CHDX810DD](#)
[CHDX811DD](#) [CCTTM40LR](#) [CTBP92VJ/5S](#) [CTBP92VJ/8R](#) [CTSN431/12/M](#) [CTSN433/12/M](#) [CUABOX006](#) [IND513113-LED-RD](#)
[CE10.00.FM](#) [CBRPH-BLK](#) [RX2008/S-5-WH](#) [CBARD-CAR](#) [CRDCG0007](#) [CNMB/4/KIT](#) [CTB5050/5](#) [CTBP92HE/11](#) [CTBP9358/10AO](#)
[CHH66C2GY](#) [CHH456PBK](#) [CHH451ABK](#) [CIM/9W-DMFS](#) [CIM/25W-DMFS](#) [RTM5004/14-NC-BLK](#) [RTM5006/16-NC-BLK](#)
[IND5032405-125-T/AMB](#)