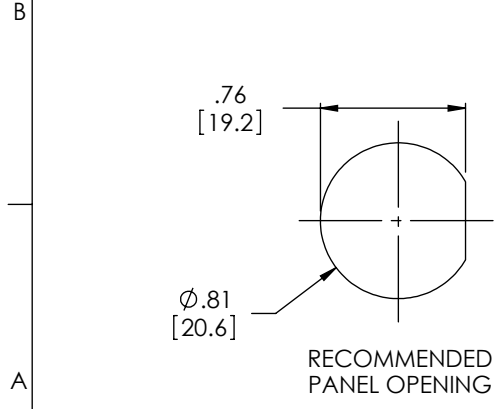
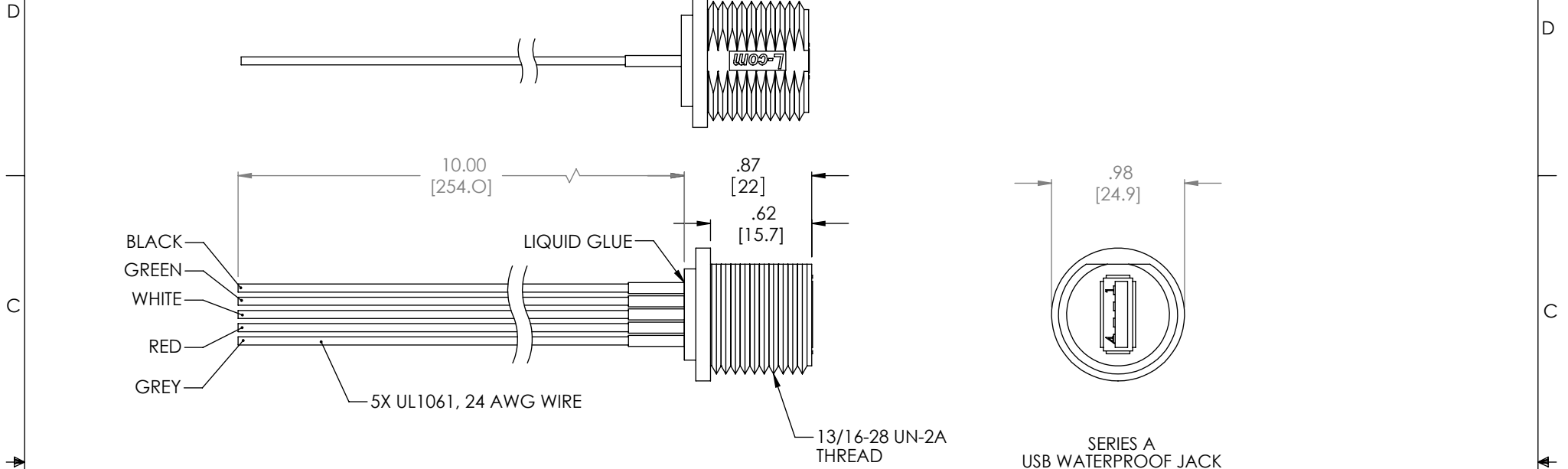
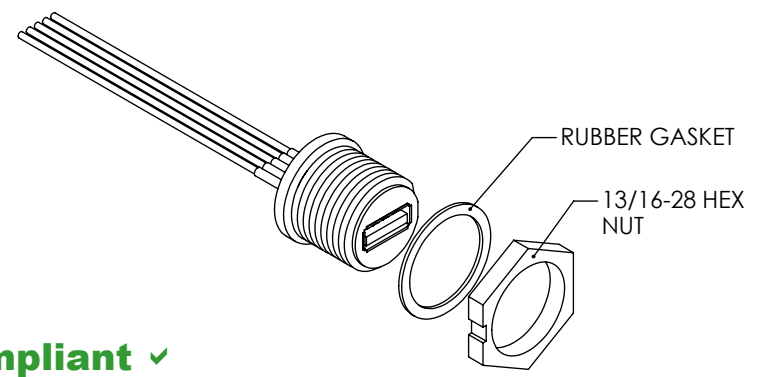


THE INFORMATION CONTAINED IN THIS DRAWING IS THE SOLE PROPERTY OF L-COM, INC. ANY REPRODUCTION IN PART OR WHOLE WITHOUT THE WRITTEN PERMISSION OF L-COM, INC. IS PROHIBITED.

REVISIONS			
REV	DESCRIPTION	DATE	APPROVED
H	ECN# 3543, .87 WAS .93	8/28/08	D.GRIFFIN
J	ECN 3739: RENAME WATERPROOF PLUG TO JACK	12/5/08	D.FRISIELLO



WIRING TABLE	
PIN #	COLOR
1	BLACK
2	GREEN
3	WHITE
4	RED
SHELL	GREY



RoHS Compliant ✓

UNLESS OTHERWISE SPECIFIED, DIMENSIONS ARE IN INCHES [mm] OVERALL CABLE LENGTH TOLERANCE: ≤12 [305] = +1 [25] / -0 >12 [305] ≤60 [1524] = +2 [51] / -0 >60 [1524] ≤120 [3048] = +4 [102] / -0 >120 [3048] ≤300 [7620] = +6 [152] / -0 >300 [7620] = +5% / -0%	APPROVALS	DATE		45 BEECHWOOD DRIVE NORTH ANDOVER, MA 01845
	DRAWN BY C.MCCORMICK	07/29/2003		
ALL OTHER DIMENSIONAL TOLERANCES: .X = .3 .XX = .15	CHECKED BY D.PARHAM	08/01/2003	CATEGORY HETEROGENEOUS DATA	
	APPROVED BY R.CARRICK	08/01/2003	PRODUCT DESCRIPTION USB WATERPROOF SERIES "A" JACK BULKHEAD TO BLUNT END	
PROJECTION 	CONFIGURATION DETAILS OF UNDIMENSIONED FEATURES MAY VARY	COLOR VARIATIONS MAY OCCUR	SIZE A	FSCM NO. 43321
REF	DWG. NO. WPUSBAF	SCALE: NONE	CAD FILE: WPUSBAF.SLDDRW	REV. J
			SHEET 1 OF 1	

X-ON Electronics

Largest Supplier of Electrical and Electronic Components

Click to view similar products for [HDMI, Displayport & DVI Connectors](#) category:

Click to view products by [L-Com](#) manufacturer:

Other Similar products are found below :

[1775247-3](#) [2-1932649-5](#) [30-1231](#) [30-528](#) [2069485-1](#) [30-504](#) [30-519](#) [30-542](#) [47648-2000](#) [2002-400](#) [1453G1](#) [769-103/021-000](#) [1932649-1](#)
[233-368NFG6-17NH](#) [G45A19071083HR](#) [233-360NF00-17NH](#) [CP30200GM3B](#) [HYC02-DVI29-371](#) [P136-06NHDV4KBP](#) [CP30116](#)
[LTWDID-29PFFS-SL8001](#) [46765-1301](#) [1211-0010-201-001](#) [47271-1004](#) [32-1121-BU](#) [DS1117-BN0-TME-002](#) [MHDR2A11004BP](#)
[EHHDMI2PKG](#) [1903015-3](#) [DS1114-BN0](#) [WPUSBAF](#) [500254-1931](#) [HDMR-19-01-F-SM](#) [47151-1071](#) [1747981-1](#) [0480372000](#) [0482580001](#)
[D121073-19](#) [472710111](#) [HDMI-S-RA6-SMT-MF-15](#) [P142-000-UP](#) [P134-003](#) [P120-08N](#) [KDMIX-FS1V-WS-B](#) [P142-000-UD](#) [10029449-](#)
[101RLF](#) [P132-000](#) [P130-000](#) [P142-06N-MICRO](#) [P142-000-MINI](#)