

### 5mm Pitch Low Profile 90° Rising Clamp Terminal

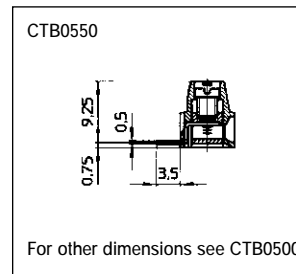
- 2 & 3 pole double interlocking mechanism for increased strength
- 4-12 pole solid block and end stackable
- Moulded in green UL94-V0 flame retardant PA
- Professional rising clamp terminals
- 1.5mm<sup>2</sup> cable entry
- CE, RoHS, REACH, approved
- Guided pin alignment
- Captive screw



Type No.	Poles	Length
CTB0550/2	2	10mm
CTB0550/3	3	15mm
CTB0550/4	4	20mm
CTB0550/5	5	25mm
CTB0550/6	6	30mm
CTB0550/7	7	35mm
CTB0550/8	8	40mm
CTB0550/9	9	45mm
CTB0550/10	10	50mm
CTB0550/11	11	55mm
CTB0550/12	12	60mm

#### Specification

Rating	14A/250V, UL=14A, CUL=14A. IMQ=14A, VDE=14A
Dielectric strength	≥2.5kV
Impulse withstand voltage	4kV
Working temperature	110°C
Moulding	UL94-V0 flame retardant PA
Pin/terminal	Tinned, nickel plated brass
Wire clamp	Nickel plated brass
Screw/torque	M3 steel, zinc colour plated/0.5Nm
Recommended PCB hole size	ø1.3mm

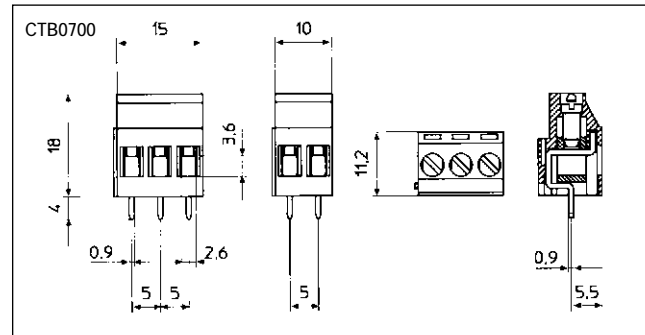


### 5mm Pitch High Current Rising Clamp Terminal

- 2 & 3 pole double interlocking mechanism for increased strength
- 4-12 pole pre-assembled
- Moulded in green UL94-V0 flame retardant PA
- Professional rising clamp terminals
- 4mm<sup>2</sup> cable entry
- CE, RoHS, REACH, approved
- Guided pin alignment
- Captive screw



Type No.	Poles	Length
CTB0700/2	2	10mm
CTB0700/3	3	15mm
CTB0700/4	4	20mm
CTB0700/5	5	25mm
CTB0700/6	6	30mm
CTB0700/7	7	35mm
CTB0700/8	8	40mm
CTB0700/9	9	45mm
CTB0700/10	10	50mm
CTB0700/11	11	55mm
CTB0700/12	12	60mm



#### Specification

Rating	24A/320V, UL=16A, CUL=16A. IMQ=24A, VDE=24A
Dielectric strength	3kV
Impulse withstand voltage	4kV
Working temperature	110°C
Moulding	UL94-V0 flame retardant PA
Pin/terminal	Tinned, nickel plated brass
Wire clamp	Nickel plated brass
Screw/torque	M3 steel, zinc colour plated/0.5Nm
Recommended PCB hole size	ø1.3mm

## X-ON Electronics

Largest Supplier of Electrical and Electronic Components

*Click to view similar products for [camden manufacturer](#):*

Other Similar products are found below :

[412689X](#) [CTBP92HE/10](#) [CTBP92VE/12R](#) [CTBP9350/12](#) [IND515205-240-T/GRN](#) [IND515205-240-T/RD](#) [IND5032405-240-T/GRN](#)  
[CE10.00.EI](#) [C192SHAND](#) [RTM5006/16-PAT](#) [CNMB/6ST/2](#) [CNMB/4ST/2](#) [CSACST004](#) [CTBP9200/9](#) [CIME/M/BE2250SS](#) [CHH64E1BL](#)  
[CIM/15W-DMFS](#) [CHHBAT2GY](#) [CFTBN/2](#) [CCB2S1/04](#) [CHDX6-222C](#) [CHDX8-224](#) [CHDASMP29](#) [CHDASMP34](#) [CHDX810DD](#)  
[CHDX811DD](#) [CCTTM40LR](#) [CTBP92VJ/5S](#) [CTBP92VJ/8R](#) [CTSN431/12/M](#) [CTSN433/12/M](#) [CUABOX006](#) [IND513113-LED-RD](#)  
[CE10.00.FM](#) [CBRPH-BLK](#) [RX2008/S-5-WH](#) [CBARD-CAR](#) [CRDCG0007](#) [CNMB/4/KIT](#) [CTB5050/5](#) [CTBP92HE/11](#) [CTBP9358/10AO](#)  
[CHH66C2GY](#) [CHH456PBK](#) [CHH451ABK](#) [CIM/9W-DMFS](#) [CIM/25W-DMFS](#) [RTM5004/14-NC-BLK](#) [RTM5006/16-NC-BLK](#)  
[IND5032405-125-T/AMB](#)