


CAMBLOCK

5.08mm Pitch Low Profile Rising Clamp Terminal

- 2-12 pole double interlocking mechanism for increased strength
- 4-12 solid block end stackable
- Moulded in green UL94-V0 flame retardant PA66
- Professional rising clamp terminals
- 0.13-1.31mm² (26-16 AWG)
- Guided pin alignment
- Captive screw
-  us approved

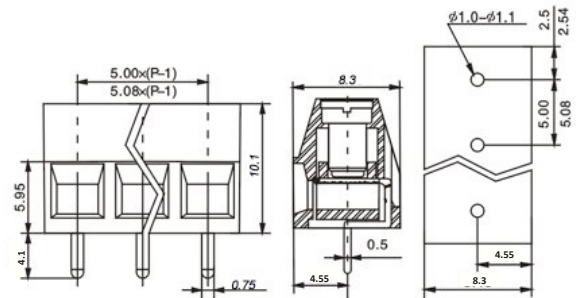
CTB0509




TYPE NO.	POLES	LENGTH
CTB0509/2	2	10.16mm
CTB0509/3	3	15.24mm
CTB0509/4	4	20.32mm
CTB0509/5	5	25.4mm
CTB0509/6	6	30.48mm
CTB0509/7	7	35.56mm
CTB0509/8	8	40.64mm
CTB0509/9	9	45.72mm
CTB0509/10	10	50.8mm
CTB0509/11	11	55.88mm
CTB0509/12	12	60.96mm

SPECIFICATION

Rating	10A 300V
Insulation resistance	5000MΩ/1000V
Withstand Voltage	AC2000V/1min
Contact Resistance	20mΩ
Working Temperature	-33°C to +120°C
Mouldings	UL94-V0 flame retardant PA66
Pin/Terminal	Tin plated brass
Wire clamp	Nickel plated brass
Screw/Torque	M2.5 Steel, Nickel Plated 0.4Nm
Recommended PCB hole size	ø1.2mm



5.08mm High Power Rising Clamp Terminal

- 2-12 pole interlocking
- Captive screw
- Moulded in green UL94-V0 flame retardant PA
- Professional rising clamp terminals
- 0.05-3.3mm² (30-12 AWG)
-  us approved

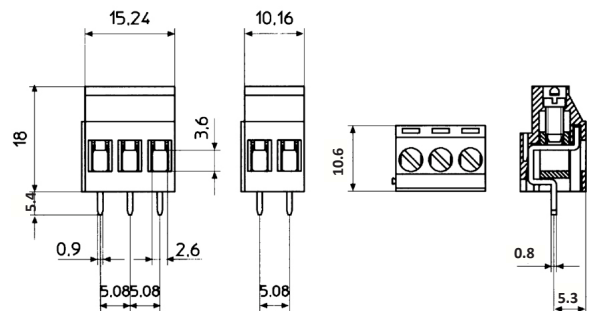
CTB0709



TYPE NO.	POLES	LENGTH
CTB0709/2	2	10.16mm
CTB0709/3	3	15.24mm
CTB0709/4	4	20.32mm
CTB0709/5	5	25.4mm
CTB0709/6	6	30.48mm
CTB0709/7	7	35.56mm
CTB0709/8	8	40.64mm
CTB0709/9	9	45.72mm
CTB0709/10	10	50.8mm
CTB0709/11	11	55.88mm
CTB0709/12	12	60.96mm

SPECIFICATION

Rating	20A 300V
Insulation resistance	5000MΩ/1000V
Withstand Voltage	AC2000V/1min
Contact Resistance	20mΩ
Working Temperature	-33°C to +120°C
Mouldings	UL94-V0 flame retardant PA66
Pin/Terminal	Tin plated brass
Wire clamp	Nickel plated brass
Screw/Torque	M3 Steel, Nickel Plated 0.4Nm
Recommended PCB hole size	ø1.6mm



X-ON Electronics

Largest Supplier of Electrical and Electronic Components

Click to view similar products for [camden manufacturer](#):

Other Similar products are found below :

[412689X](#) [CTBP92HE/10](#) [CTBP92VE/12R](#) [CTBP9350/12](#) [IND515205-240-T/GRN](#) [IND515205-240-T/RD](#) [IND5032405-240-T/GRN](#)
[CE10.00.EI](#) [C192SHAND](#) [RTM5006/16-PAT](#) [CNMB/6ST/2](#) [CNMB/4ST/2](#) [CSACST004](#) [CTBP9200/9](#) [CIME/M/BE2250SS](#) [CHH64E1BL](#)
[CIM/15W-DMFS](#) [CHHBAT2GY](#) [CFTBN/2](#) [CCB2S1/04](#) [CHDX6-222C](#) [CHDX8-224](#) [CHDASMP29](#) [CHDASMP34](#) [CHDX810DD](#)
[CHDX811DD](#) [CCTTM40LR](#) [CTBP92VJ/5S](#) [CTBP92VJ/8R](#) [CTSN431/12/M](#) [CTSN433/12/M](#) [CUABOX006](#) [IND513113-LED-RD](#)
[CE10.00.FM](#) [CBRPH-BLK](#) [RX2008/S-5-WH](#) [CBARD-CAR](#) [CRDCG0007](#) [CNMB/4/KIT](#) [CTB5050/5](#) [CTBP92HE/11](#) [CTBP9358/10AO](#)
[CHH66C2GY](#) [CHH456PBK](#) [CHH451ABK](#) [CIM/9W-DMFS](#) [CIM/25W-DMFS](#) [RTM5004/14-NC-BLK](#) [RTM5006/16-NC-BLK](#)
[IND5032405-125-T/AMB](#)