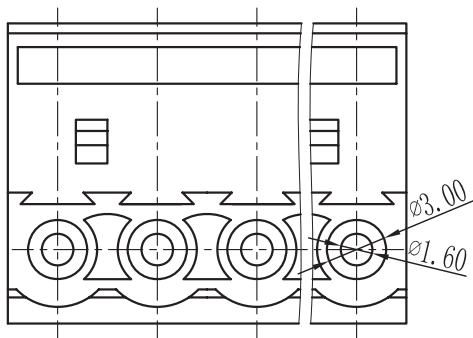


SECTION A-A



**Electrical**

Standard: UL IEC  
 Rated voltage: 300V 320V  
 Rated current: 15A 20A  
 Contact resistance:  $20m\Omega$   
 Wire range: 28-14AWG  $2.5mm^2$   
 Withstanding voltage: AC2000V/1Min  
 Insulation resistance:  $500M\Omega/DC500V$

**Mechanical**

Temp.Range:  $-40^\circ C \sim +105^\circ C$   
 Torque:  $0.5Nm (4.51b\text{'in})$   
 Strip length: 7-8mm

**Dimensions**

Pitch: 5.00mm, 5.08mm

Poles: 2P-24P

**Material**

Housing: PA66, UL94V-0  
 Screws: M3.0, steel Zinc plated  
 Wire guard: Brass, Ni plated  
 Clamp: Phosphor bronze, Ni plated

TOLERANCES EXCEPT AS NOTED

	linear dimension					fillet	chamfer		$\sphericalangle$ short angle sid				≡	-	$\square$	//	$\perp$
	to	over	over	over	over		to	over	to	over	over	over					
variable range	6	6	30	120	480	all	6	to	10	50	120	all	to	5	30	120	120
tolerance	$\pm 0.1$	$\pm 0.2$	$\pm 0.3$	$\pm 0.5$	$\pm 0.9$	$\pm 0.2$	$\pm 0.5$	$\pm 1$	1'	30'	20'	10'	0.5	0.025	0.06	0.12	0.4

UNITS	mm	SIZE	A4	SCALE		FIRST ANGLE PROJECTION	
<b>IMO</b>							
						NAME	20.950M-E / 21.950M-E

## X-ON Electronics

Largest Supplier of Electrical and Electronic Components

*Click to view similar products for [IMO manufacturer](#):*

Other Similar products are found below :

[MB12-S-1024](#) [MB09-S-10230](#) [CS20A-A2](#) [SRKE-1AT-SL-24VDC](#) [SRF-1C-SL-12VDC](#) [MB09-S-1024](#) [HYE41PN120AC](#) [HYE41PN240AC](#)  
[LDC18RRS](#) [LRC5A01](#) [IV07E-SECP](#) [SFSYE0111](#) [20.3304M/2-E](#) [21.95MHF/3-E](#) [MC24-S-00230](#) [MC18N-S-10230AC](#) [H69-0001](#) [CS20A-](#)  
[U1](#) [CS20A-U4](#) [VFC02](#) [20.95MHF/3-E](#) [MC14N-S-10110AC](#) [E69-0003](#) [DPS-1-060-24](#) [BS3P3REDO](#) [DPS-1-030-24](#) [ISOCON-6](#) [20.1550M/2](#)  
[FA4515-2DN](#) [U1216E4-MC](#) [MA05-S-0040110AC](#) [MA05-S-0040230AC](#) [20.950MF/5-E](#) [20.4101M/4-P](#) [BS3P34REDO](#) [21.95MH/12-E](#)  
[20.920M/5-E](#) [FA4501-2DN](#) [MC10N-S-10230AC](#) [MC10N-S-10110AC](#) [DPS-1-120-24](#) [CS20A-A3](#) [20.95MH/3-E](#) [21.95MV/3](#) [MA05-S-](#)  
[01230AC](#) [SRRHN-2CN-SL-5VDC](#) [LB69-4040](#) [20.3001M/6](#) [UFSRE0101](#) [MA05-R-S-10230AC](#)