

P	2	3	4	5	6	7	8	9	10	11	12	13
U	5.08	10.16	15.24	20.32	25.40	30.48	35.56	40.64	45.72	50.80	55.88	60.96
V	10.16	15.24	20.32	25.40	30.48	35.56	40.64	45.72	50.80	55.88	60.96	66.04
P	14	15	16	17	18	19	20	21	22	23	24	25
U	66.04	71.12	76.20	81.28	86.36	91.44	96.52	101.6	106.68	111.76	116.84	121.92
V	71.12	76.20	81.28	86.36	91.44	96.52	101.6	106.68	111.76	116.84	121.92	127.00

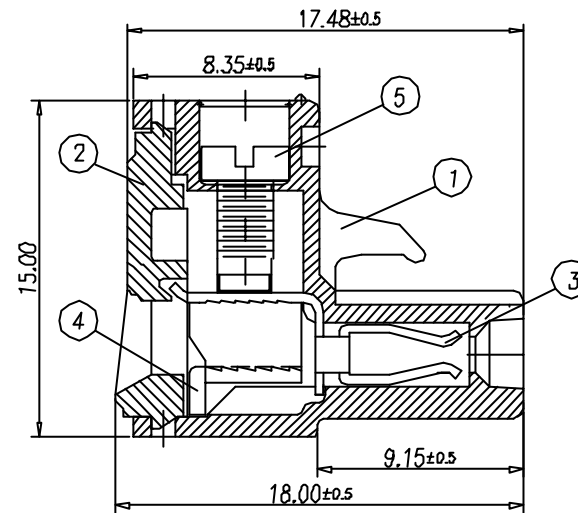
Tolerances for PITCH ERROR



△ NOTES:

- Rating: 300V 15A(IEC 250V 12A)  
PITCH: 5.08mm
- Insulation Withstands Voltage:  
AC 1500V/MIN
- Insulation Resistance:  
500MΩ or more at DC500V
- Using Temperature Range:  
-40°C~+105°C
- Screw Torque Value: 5kg-cm
- Suitable Electric Wire:  
AWG 28~12(IEC 4.0~5.6mm)  
~~24~12(IEC 2.5mm<sup>2</sup>)~~
- Undimensioned Tolerances:

□	∩	∇	0.05/10
⊥	//	≡	0.2/10
PITCH ERROR			0.02/10
UNDIMENSIONED TOLERANCES			±0.3



5	SCREW	S000003400	P	STEEL	M2.5x0.45
4	WIRE CAGE	X000000800	P	STEEL	Zn Plated
3	GLAMP	0120B00400	P	BRONZE	Tin Plated
2	SIDE COVER	0121L00000	1	PA66(V0)	GREEN
1	HOUSING	0121A00000	1	PA66(V0)	GREEN
ITEM	NAME OF PART	NO. OF PART	Q'TY	MATERIAL	NOTES
DWG.	ZHENG	DATE	98,11,20	UNITS	MM SHEET/OF 1/1
CHK.		DATE		SCALE	4:1 ( : )
APP.		DATE			



△	工程變更	XJIANG	01.04.06
△	工程變更	梁紅英	01.03.19
REV.	CONTENT	CHK.	DATE



NAME	21.950M
DWG NO.	

## X-ON Electronics

Largest Supplier of Electrical and Electronic Components

*Click to view similar products for [imo manufacturer](#):*

Other Similar products are found below :

[20.155MV/12-E](#) [MC14N-S-10110AC](#) [MB09-S-10=24](#) [DPS-1-030-24](#) [SRF-1C-SL-12VDC](#) [MB09-S-1024](#) [LDC18RRS](#) [SFSYE0111](#)  
[21.1500M/6-E](#) [20.3304M/2-E](#) [21.910M/5-E](#) [20.95MA/2-E](#) [21.95MHF/2-E](#) [PE69-4032](#) [DPS-1-060-24](#) [CS20A-A2](#) [CS20A-U1](#) [VFC02](#)  
[MSSTC11DA06](#) [20.95MHF/3-E](#) [B3T10](#) [XKL-040-21](#) [20.3304M/4-E](#) [SRDH-1A-SL-24VDC](#) [20.2500M/5-E](#) [21.155MH/12](#) [SRRHN-2CN-](#)  
[SL-12VDC](#) [QYE21XXF24DC](#) [20.920M/5-E](#) [MC10N-S-10110AC](#) [21.1550MF/8-E](#) [20.910M/6-E](#) [20.95MH/3-E](#) [21.95MV/3](#) [MA05-S-](#)  
[01230AC](#) [SRRHN-2CN-SL-5VDC](#) [LB69-4040](#) [20.3001M/6](#) [21.1500M/3-E](#) [SFSYE0311](#) [21.95MHF/6-E](#) [20.95MV/2-E](#) [20.155MV/4-E](#)  
[20.155MH/4-E](#) [20.950M/2-E](#) [MT5 1-50-FAR](#) [BS3P3REDO](#) [MB12-S-10=24](#) [MA05-S-1024DC](#) [20.155MVF/8-E](#)