

# CAMBLOCK

## 5mm Pitch Standard Profile Terminal Block

- 2-12 pole interlocking
- Moulded in black
- UL94V-0 PA (GF)
- Wire protector terminals
- 0.13-2mm<sup>2</sup> (26-14 AWG)
- Guided pin alignment
- cULus approved

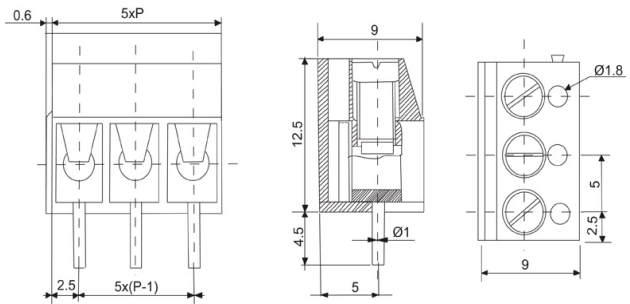
CTB1202



TYPE NO.	POLES	LENGTH
CTB1202/2BK	2	10mm
CTB1202/3BK	3	15mm
CTB1202/4BK	4	20mm
CTB1202/5BK	5	25mm
CTB1202/6BK	6	30mm
CTB1202/7BK	7	35mm
CTB1202/8BK	8	40mm
CTB1202/9BK	9	45mm
CTB1202/10BK	10	50mm
CTB1202/11BK	11	55mm
CTB1202/12BK	12	60mm

### SPECIFICATION

Rating	10A/300V
Insulation resistance	5000MΩ/1000V
Working temperature	-33°C to +120°C
Moulding	UL94-V0 flame retardant PA66
Pin/terminal	Brass. Tin plated
Wire clamp	Nickel plated brass
Recommended PCB hole size	ø1.3mm



## 5mm Pitch 45° Rising Clamp Terminal

- 2-12 pole interlocking
- Moulded in grey
- UL94V-0 PA (GF)
- Professional rising clamp terminal
- 0.2-3.3mm<sup>2</sup> (24-12 AWG)
- cULus approved

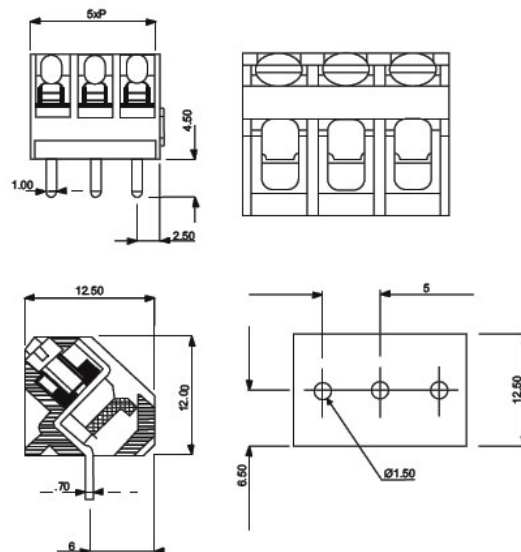
CTB3202



TYPE NO.	POLES	LENGTH
CTB3202/2	2	10mm
CTB3202/3	3	15mm
CTB3202/4	4	20mm
CTB3202/5	5	25mm
CTB3202/6	6	30mm
CTB3202/7	7	35mm
CTB3202/8	8	40mm
CTB3202/9	9	45mm
CTB3202/10	10	50mm
CTB3202/11	11	55mm
CTB3202/12	12	60mm

### SPECIFICATION

Rating	10A/300V
Insulation resistance	5000MΩ/1000V
Working temperature	-33°C to +120°C
Cable Entry	0.2-3,3mm <sup>2</sup>
Wire clamp	Nickel plated brass
Withstand Voltage	AC2000V/1min
Recommended PCB hole size	ø1.3mm



## X-ON Electronics

Largest Supplier of Electrical and Electronic Components

*Click to view similar products for [camden manufacturer](#):*

Other Similar products are found below :

[412689X](#) [CTBP92VE/12R](#) [CTBP9350/12](#) [IND515205-240-T/GRN](#) [IND515205-240-T/RD](#) [IND5032405-240-T/GRN](#) [CE10.00.EI](#)  
[C192SHAND](#) [CNMB/6ST/2](#) [CNMB/4ST/2](#) [CSACST004](#) [CTBP9200/9](#) [CIME/M/BE2250SS](#) [CHH64E1BL](#) [CIM/15W-DMFS](#) [CHHBAT2GY](#)  
[CFTBN/2](#) [CCB2S1/04](#) [CHDX6-221C](#) [CHDX8-224](#) [CHDASMP29](#) [CHDASMP34](#) [CHDX810DD](#) [CHDX811DD](#) [CCTTM40LR](#)  
[CTBP92VJ/5S](#) [CTBP92VJ/8R](#) [CTSN431/12/M](#) [CTSN433/12/M](#) [CUABOX006](#) [CE10.00.FM](#) [CBRPH-BLK](#) [BIM2003/13-WH/WH](#)  
[RX2008/S-5-WH](#) [CBARD-CAR](#) [CRDCG0007](#) [CNMB/4/KIT](#) [CTB5050/5](#) [CTBP92HE/11](#) [CTBP9358/10AO](#) [CHH66C2GY](#) [CHH456PBK](#)  
[CHH451ABK](#) [CIM/9W-DMFS](#) [CIM/25W-DMFS](#) [RTM5006/16-NC-BLK](#) [IND5032405-125-T/AMB](#) [CCB1S1/03](#) [CCD2S1/04](#) [CCE1S1/05](#)