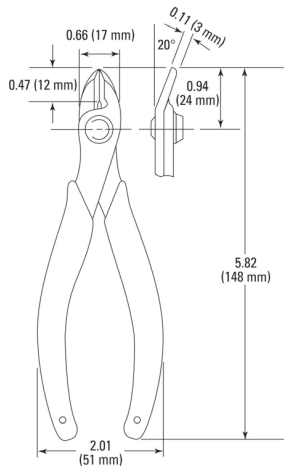




2175AS



Description:

Maxi-Shear™ Flush Cutter - ESD safe

Extremely durable and versatile wire cutter.

Tough enough for harnesses and cables with the precision to cut material less than 1 mm thick or work in high density areas.

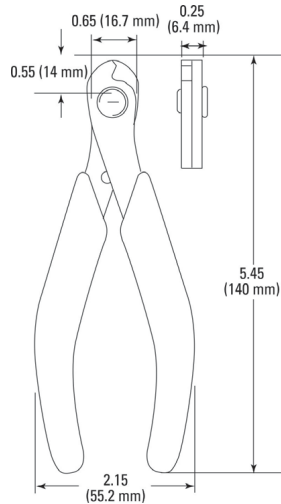
Cutting capacity: 12 AWG (2.0 mm) soft wire.

Specifications:

| | |
|-----------------------|---------|
| Overall Length | : 148mm |
| Cutter Type | : Wire |
| Cut Type | : Flush |
| Cutting Capacity Max. | : 2mm |
| Cutting Edge Hardness | : 20° |



2193AS



Description:

Music Wire Shear - ESD safe

Designed specifically for cutting music wire and other types of hardened wire.

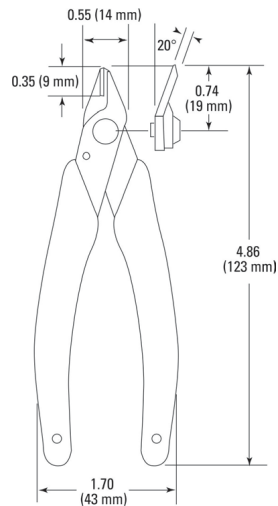
Used to cut hardened and tempered steel wire up to 12AWG.

Cuts music wire up to 0.040" (1.0 mm) diameter.

Cutting capacity: 12 AWG (2.0 mm) hard wire.

Specifications:

| | |
|-----------------------|---------|
| Overall Length | : 140mm |
| Cutter Type | : Wire |
| Cut Type | : Shear |
| Cutting Capacity Max. | : 2mm |



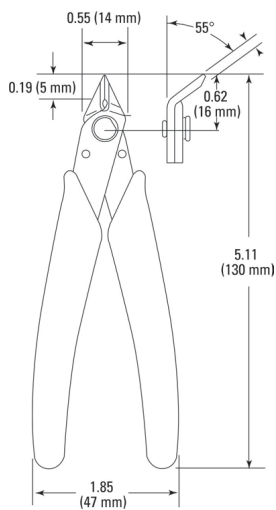
410AS

Description:

Micro-Shear® Flush Cutter - ESD safe
 Size and shape are optimized to work in high density areas.
 Rockwell hardness of 55-57 RC.
 Cutting capacity: 18 AWG (1.02 mm) soft wire.

Specifications:

| | |
|-----------------------|----------|
| Overall Length | : 123mm |
| Cutter Type | : Wire |
| Cut Type | : Flush |
| Cutting Capacity Max. | : 1.02mm |
| Cutting Edge Hardness | : 20° |



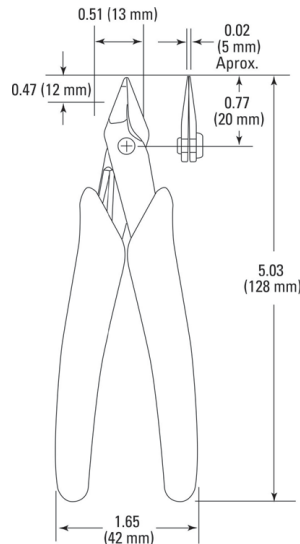
420AS

Description:

Angled Micro-Shear® Flush Cutter - ESD safe
 Slim profile for accessibility allows easier cutting in difficult areas.
 Angled head provides excellent sight lines when used in either the vertical or horizontal position.
 Cutting capacity: 20 AWG (0.8 mm) soft wire.

Specifications:

| | |
|-----------------------|---------|
| Overall Length | : 130mm |
| Cutter Type | : Wire |
| Cut Type | : Flush |
| Cutting Capacity Max. | : 0.8mm |
| Cutting Edge Hardness | : 55° |



440AS

Description:

Mini-Shear - ESD safe

Ultra precise scissor, cuts fine or delicate items with a clean, square edge.

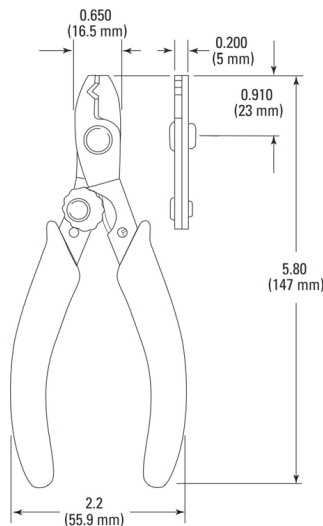
Innovative design, advantageous for users with arthritic hands.

Cutting capacity: 20 AWG (0.8 mm) soft wire.

0.005" (0.127 mm) mylar, plastic and shielded cable.

Specifications:

| | |
|--------------|----------------|
| Blade Length | : 20mm |
| Scissor Type | : Wire Cutting |



501AS

Description:

Wire Stripper/Cutter - ESD safe

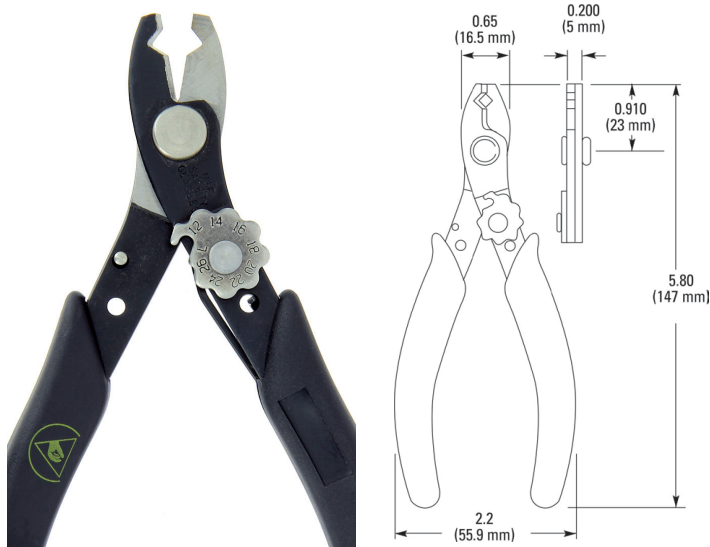
Designed to cut and strip all wire sizes from 10-26 AWG.

Can be used for both solid and stranded wire.

Cutting capacity: 10 - 26 AWG (2.59 - 0.405 mm) stranded wire.

Specifications:

| | |
|------------------------|-------------------------------------|
| Stripping Capacity AWG | : 10AWG |
| Strip Length | : 147mm |
| For Use With | : 26-10AWG Solid and Stranded Wires |



505AS

Description:

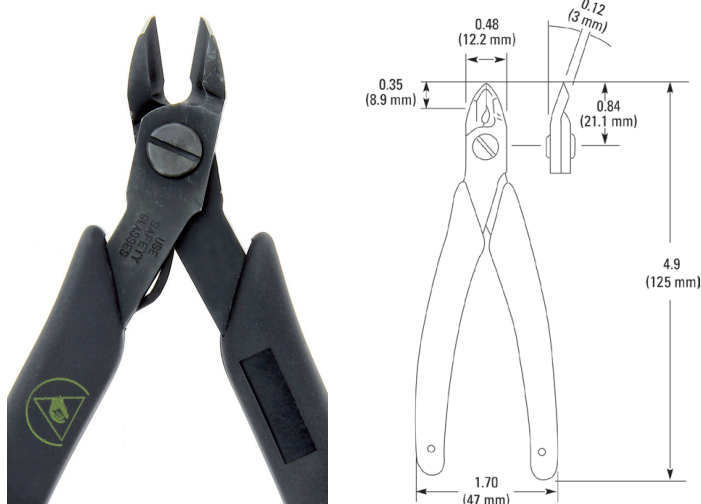
Wire Stripper/Cutter - ESD safe

Similar to 501AS, but with the added benefit of having wire gauge markings on the cam and a handy closure "hook" that keeps the tool in a closed position when not in use.

Model 505AS is designed for solid wire from 12-26 AWG (2.0-0.405 mm).

Specifications:

| | |
|------------------------|------------------------|
| Stripping Capacity AWG | : 12AWG |
| Strip Length | : 147mm |
| For Use With | : 26-12AWG Solid Wires |



9100AS

Description:

Oval Head Micro-Shear® Flush Cutter - ESD safe

Strong and Durable. Size and shape reflect the latest advances in enhanced ergonomics.

Cutting edges are an ultra durable 56-58 RC.

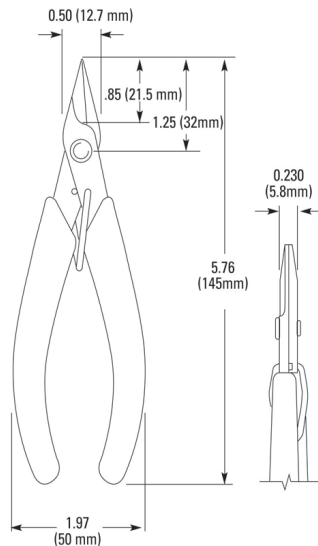
Cutting capacity: 12 AWG (2.0 mm) soft wire.

Specifications:

| | |
|----------------------|---------|
| Overall Length | : 125mm |
| Cutter Type | : Wire |
| Cut Type | : Flush |
| Cutting Capacity Max | : 2mm |



9180AS



Description:

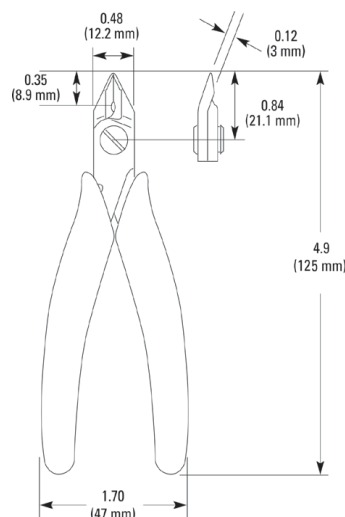
Kevlar® Fiber Shear - ESD safe
 Designed and manufactured specifically for cutting the Kevlar® fiber strength component of fiber optic cables. Serrated edge prevents the fibers from sliding out the front of the shear while cutting. Cutting edges 58-60 RC.
 Cutting capacity: 12 AWG (2.0 mm) soft wire.
 030" (0.8mm) soft sheet metal.

Specifications:

Blade Length : 32mm
 Scissor Type : Kevlar



9200AS



Description:

Tapered Head Micro-Shear® Flush Cutter - ESD safe
 Tapered Head version of 9100AS. Improved access in high density areas and added precision. Precision-ground Micro-Shear® cutting edges guarantee a clean cut.
 Cutting capacity: 14 AWG (1.6 mm) soft wire.

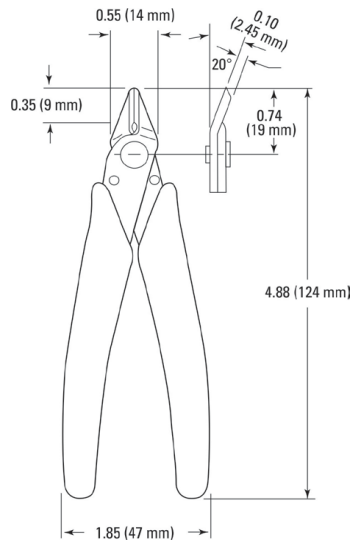
Specifications:

Overall Length : 125mm
 Cutter Type : Wire
 Cut Type : Flush
 Cutting Capacity Max : 1.6mm

ESD Micro-Shear Cutters



LXAS



Description:

Micro-Shear® Flush Cutter - ESD safe
 Ultra slim profile for access in high density areas.
 Extra tough high carbon steel blades.
 Sized for smaller hands and maximum maneuverability.
 Cutting capacity: 16 AWG (1.29 mm) soft wire.

Specifications:

| | |
|-----------------------|----------|
| Overall Length | : 124mm |
| Cutter Type | : Wire |
| Cut Type | : Flush |
| Cutting Capacity Max | : 1.29mm |
| Cutting Edge Hardness | : 20° |

Part Number Table

| Description | Part Number |
|--------------------------------------|-------------|
| Cutter, Flush Cutting, 2mm, 148mm | 2175AS |
| Cutter, Shear Cutting, 2mm, 140mm | 2193AS |
| Cutter, Flush Cutting, 1.02mm, 123mm | 410AS |
| Cutter, Flush Cutting, 0.8mm, 130mm | 420AS |
| Scissor, Mini Shear, 128mm | 440AS |
| Stripper, Wire, 26-10Awg, 147mm | 501AS |
| Stripper, Wire, 26-12Awg, 147mm | 505AS |
| Cutter, Flush Cutting, 2mm, 125mm | 9100AS |
| Scissor, Kevlar Fiber Shear, 145mm | 9180AS |
| Cutter, Flush Cutting, 1.6mm, 125mm | 9200AS |
| Cutter, Flush Cutting, 1.29mm, 124mm | LXAS |

Important Notice : This data sheet and its contents (the "Information") belong to the members of the Premier Farnell group of companies (the "Group") or are licensed to it. No licence is granted for the use of it other than for information purposes in connection with the products to which it relates. No licence of any intellectual property rights is granted. The Information is subject to change without notice and replaces all data sheets previously supplied. The Information supplied is believed to be accurate but the Group assumes no responsibility for its accuracy or completeness, any error in or omission from it or for any use made of it. Users of this data sheet should check for themselves the Information and the suitability of the products for their purpose and not make any assumptions based on information included or omitted. Liability for loss or damage resulting from any reliance on the Information or use of it (including liability resulting from negligence or where the Group was aware of the possibility of such loss or damage arising) is excluded. This will not operate to limit or restrict the Group's liability for death or personal injury resulting from its negligence. DURATOOL is the registered trademark of the Group. © Premier Farnell plc 2012.



X-ON Electronics

Authorized Distributor

Click to view similar products for [Duratool](#) manufacturer.

Other Similar products are found below :

[D01894](#) [D01998](#) [D02153](#) [D03011](#) [D00080](#) [D02167](#) [D02286](#) [793902](#) [MC23781](#)

[DTRSR2032W](#) [DTRPGSB1519A](#) [DTRNSE1207M38](#) [DTRNSE1207M225](#)

[DTRNSE1207M220](#) [DTRHTSAM6252](#) [9750010](#) [NUTCAPTIVENO8PK100](#)

[M10N5STZ100](#) [793905](#) [793929](#) [9700010](#) [DTRMSPS301](#) [DTRRLCBSRE601](#) [49900300](#)

[17038N008GPB](#)