

**THERMOSTAT CONTROLLER**

**FEATURES**

- Saves energy, reduces filter replacement frequency and extends filter fan life
- Terminal block connection
- 38-mm DIN rail mounting bracket (according to EN 60715) and screws included

**FINISH**

- RAL7035 light gray
- Plastic housing UL94 V-0

**NOTES**

**Caution:** When setting the temperature of the break contact (NC) and the changeover contact (CO) to use it as a break contact, care must be taken to add the maximum hysteresis (that consists of the switching difference and the operating tolerance) to the required minimum temperature. For instance, if the temperature in the enclosure may not fall below 5 C, the controller must be set to 5+7+3=15 C (with a switching) difference of 4-7 k and tolerance of +/- 3 k.

**Performance Data Thermostat Controller**

CATALOG NUMBERS	
	TWR60
<b>DESIGN DATA</b>	
Control Range (°F / °C)	-4 / -20 to 104 / 40 or 32 / 0 to 140 / 60 or 68 / 20 to 176 / 80 (see type plate)
Switching Differences:	
Bimetal controllers	Approx. 1 k, approx. 3 k, 4-7 k (see type plate)
Capillary controllers	less than 7 k
Contact	Snap contact as break contact = NC Make contact = NO Changeover contact = CO (see type plate)
Switching Capacity:	
Break contact/make contact	100V...250V / 10(2)A, at 4 max. 30 W
Changeover contact - heating	100V...250V / 10(2)A, at 4 max. 30 W
Changeover contact - cooling	100V...250V / 15(2)A, at 4 max. 30 W
<b>Supply Voltage</b>	<b>Controller (CO) requires 230V</b>
Protection	IP20
Switchpoint Tolerance	+/- 3k
Sensor	Bimetal
Power Connection	Terminal screws 0.5 to 2.5 mm <sup>2</sup>
Bimetal Controller Ambient Temperature:	
T40	-4 / -20 to 104 / 40
T60	32 / 0 to 140 / 60
T80	68 / 20 to 176 / 80
Storage Temperature (°F / °C)	-4 / -20 to 140 / 60
<b>UNIT CONSTRUCTION</b>	
Unit Dimensions - H x W x D (in. / mm)	2.52 x 1.46 x 1.81 / 64 x 37 x 46
Weight (oz / g)	1.8 / 50

**DUAL THERMOSTAT**



**INDUSTRY STANDARDS**

cURus; File No. E164102

CSA File No. 215952  
CE

**APPLICATION**

Two thermostats in one, the Dual Thermostat independently controls equipment heating and cooling systems.

**FEATURES**

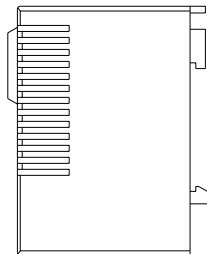
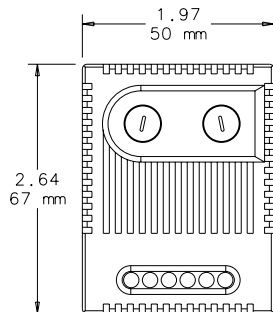
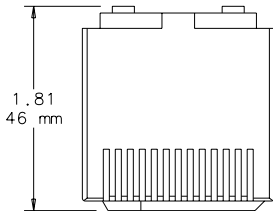
- Two thermostats; one normally closed (NC), red, and one normally open (NO), blue, in one casing
- Wide adjustable temperature range (32 -140 F)
- Thermostatic bimetallic sensor element
- Connection: 4-pole terminal for AWG 14 max (2.5 mm<sup>2</sup>)
- Mounting clip for 35-mm DIN rail

**FINISH**

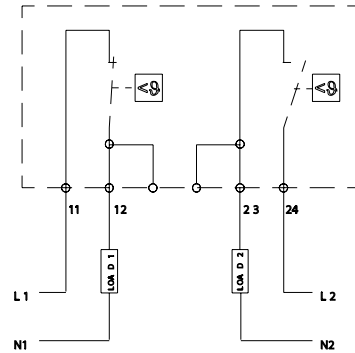
- Light-gray plastic, UL94V-0

Performance Data **Dual Thermostat**

CATALOG NUMBERS	
<b>ELECTRICAL DATA</b>	ADLTEMP
Switching Capacity (Normally Closed)	10 A resistive/2 A inductive @250 VAC, DC 30 W
Switching Capacity - Normally Open	5 A resistive/2 A inductive @250 VAC, DC 30 W
Setting Range - Normally Closed (°F/C°)	32/0 to 140/60
Setting Range - Normally Open (°F/C°)	32/0 to 140/60
<b>UNIT CONSTRUCTION</b>	
Unit Dimensions - H x W x D (in./mm)	2.64/67 x 1.97/50 x 1.81/46



87939707



CONNECTION DIAGRAM

**ELECTRONIC HYGROTHERM**

**APPLICATION**

The Electronic Hygrotherm senses ambient temperature and relative air humidity and adjusts a connected device to maintain temperature and humidity set points.

**FEATURES**

- Temperature (32-140 F) and humidity (50%-90% RH) adjustment
- High switching capacity
- Optical function displays (LED) in each control
- Mounting clip for 35-mm DIN rail
- Change-over contact (relay)
- Connection: 5-pole terminal for AWG 14 max (2.5-mm square). Clamping torque .5 Nm (4.4 in-lbs) maximum.
- Plastic housing UL94V-0
- Vertical mounting
- Operating voltage is AC 100-240 V with maximum switching capacity of 10 A resistive / 1.6 A inductive at AC 240 V

**FINISH**

- Light-gray plastic UL94V-0

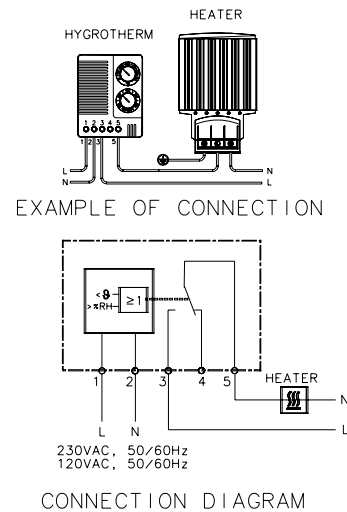
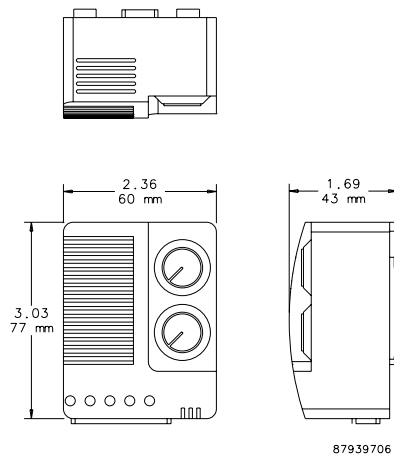
**INDUSTRY STANDARDS**

cURus; File No. E164102

CE

**Performance Data Electronic Hygrotherm**

CATALOG NUMBERS	
	ATEMHUM
ELECTRICAL DATA	
Hysteresis	~ 3.6 F (2K) ± 1.8 F (1K) tolerance
Humidity Set Point (adjustable)	50-90% RH
Temperature Set Point (adjustable) (°F/°C)	32/0 to 140/60
Operating Temperature Range (°F/°C)	-40 to 140/-40 to 60
Storage Temperature (°F/°C)	-40 to 140/-40 to 60
CONTACTS	
3 and 5	
Close at...	humidity rise or temperature drop
Open at...	humidity drop or temperature rise
Use for...	heaters, dehumidifiers, low-temp alarms
4 and 5	
Close at...	humidity drop or temperature rise
Open at...	humidity rise or temperature drop
Use for...	cooling, humidifiers, high-temp alarms
UNIT CONSTRUCTION	
Unit Dimensions - H x W x D (in./mm)	3.03/77 x 2.36/60 x 1.69/43



**MECHANICAL HYGROSTAT**



**INDUSTRY STANDARDS**

cURus; File No. E164102

CE

**APPLICATION**

The Mechanical Hygrostat controls relative air humidity inside an enclosure to prevent condensation and corrosion that can damage components. It can also be connected to an enclosure heater, cooling fans, warning lights or other devices.

*The critical relative humidity (RH) level for most components is 65 percent. Above 65 percent RH, condensation can form and cause electronic equipment to malfunction.*

**FEATURES**

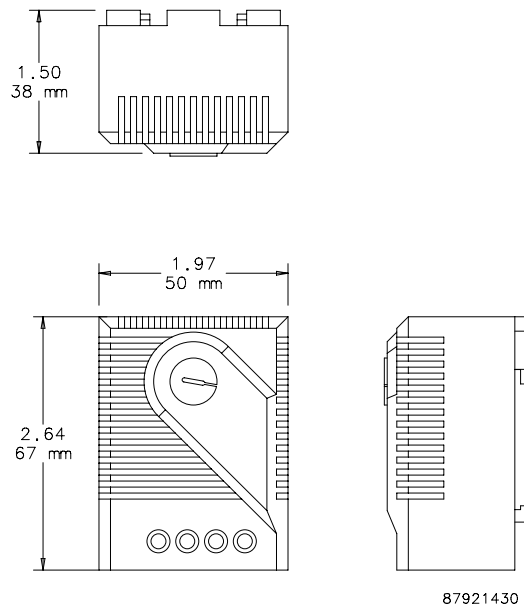
- Adjustable relative humidity range
- High switching capacity
- Long service life (>100,000 cycles)
- Maximum permissible air velocity of 50 ft./sec. (15 m/s)
- Maximum switching voltage = 250 VAC  
*250 V should be switched only in a non-condensing environment*
- Change-over contact
- Mounting clip for 35-mm DIN rail
- Connection: 3-pole terminal for AWG 14 max. (2.5-mm squared)
- Contact resistance less than 10 mΩ

**FINISH**

- Light-gray plastic, UL94V-0

Performance Data **Mechanical Hygrostat**

CATALOG NUMBERS	
	AMHUM
ELECTRICAL DATA	
Switching Capacity (Minimum)	100mA @ AC/DC 20 V
Switching Capacity (Maximum)	5A @ AC 250 V (resistive load) 0.2A @ AC 250 V (inductive load at cos 0 = 0.8) DC 20W
Operating Temperature Adjustable (°F/°C)	32/0 to 140/60
Storage Temperature (°F/°C)	-40/-40 to 140/60
UNIT CONSTRUCTION	
Unit Dimensions - H x W x D (in./mm)	2.64/67 x 1.97/50 x 1.5/38
Weight (oz/g)	2/60



## TEMPERATURE CONTROL SWITCH



### FEATURES

- Additional label for conversion to Celsius scale and blank label to cover set point range label when adjustment after initial setting is not desired are included
- Bimetal temperature sensor
- Plastic housing
- Connections consist of tubular screw terminals for AWG 14 (.04 sq. in.)
- Provision for both panel mounting and DIN rail mounting

### FINISH

- Molded plastic housing is black

### INDUSTRY STANDARDS

cURus; File No. E164102 UL94-V0
------------------------------------

Protection rating IEC IP30  
CSA Certified, File Number 215952  
CE

### APPLICATION

These easy-to-install thermostats regulate and monitor air temperature in enclosures that contain heat-emitting equipment. Thermostats prolong heater and fan life expectancy by controlling operation time and increase electrical component working efficiency by exposing them to fewer environmental contaminants.

### Performance Data **Temperature Control Switch**

CATALOG NUMBERS		
	ATEMNC	ATEMNO
<b>ELECTRICAL DATA</b>		
Maximum Load (Switching Capacity)		
120 VAC	15 A resistive / 2 A inductive @ 120 VAC	
250 VAC	10 A resistive / 2 A inductive @ 250 VAC	
DC	DC 30 W	
Minimum load	20 mA (all voltages)	
Contact Type	NC (normally closed), quick acting	NO (normally open), quick acting
Control Application	Heater	Fan
<b>UNIT CONSTRUCTION</b>		
Unit Dimensions - H x W x D (in./mm)	2.37/60 x 1.31/33 x 1.55/39	

**PANEL-MOUNT FAN SPEED CONTROLS**



**INDUSTRY STANDARDS**

UL 508 Listed; File No. E249700  
 cUL Listed per CSA C22.2 No. 14; File No. E249700

**APPLICATION**

Perfect for offices, classrooms and other noise-sensitive areas. Fan Speed Control optimizes airflow in a cabinet or rack, balancing air volume requirements with noise level and power use.

**FEATURES**

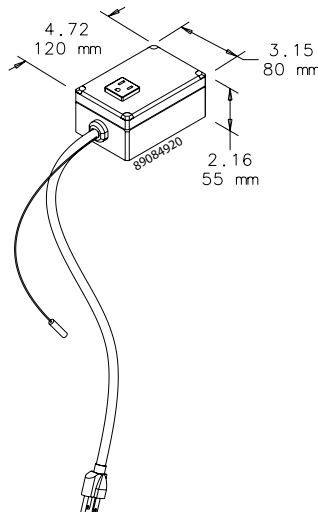
- Automatically adjusts fan speed depending on remote temperature sensor input
- Temperature set point is field adjustable; preset at 35 C (95 F)
- Idle speed and temperature slope are field-adjustable
- Push-to-reset thermal circuit breaker inside control housing
- Compact polycarbonate control housing can be mounted in any position
- NEMA 5-15R outlet provides power to fan
- Six-foot (1.83-m) power cord plugs into standard 120 V, 50 or 60 Hz outlet
- Remote temperature sensor with 10-ft. (3.05-m) lead mounts in airflow
- Mounting brackets included

**FINISH**

- AFANTSC: Light-gray polycarbonate control housing

Performance Data **Panel-Mount Fan Speed Controls**

CATALOG NUMBERS	
	AFANTSC
ELECTRICAL DATA	
<b>Rated Voltage</b>	<b>120 VAC</b>
Maximum Nominal Current (Amps)	2
Temperature Settings (°F)	86, 95, 104, 113
Temperature Settings (°C)	30, 35, 40, 45
DESIGN DATA	
Description	Panel-Mount Fan Speed Control
Application	Fan speed controlled automatically with remote temperature sensor



## HAZARDOUS LOCATION THERMOSTAT



### INDUSTRY STANDARDS

CE  
 Conformity Certificate LCIE (Laboratoire Central des Industries Electriques) LCIE 01 ATEX 6074

EEx d IIC T6/II 2 GD, IP6x T85 °C  
 IEC 60529, IP65/1 (grounded)

### APPLICATION

Compact mechanical thermostat for temperature control of heaters or low-temperature alarms in enclosures that are used in explosion-hazardous areas.

### FEATURES

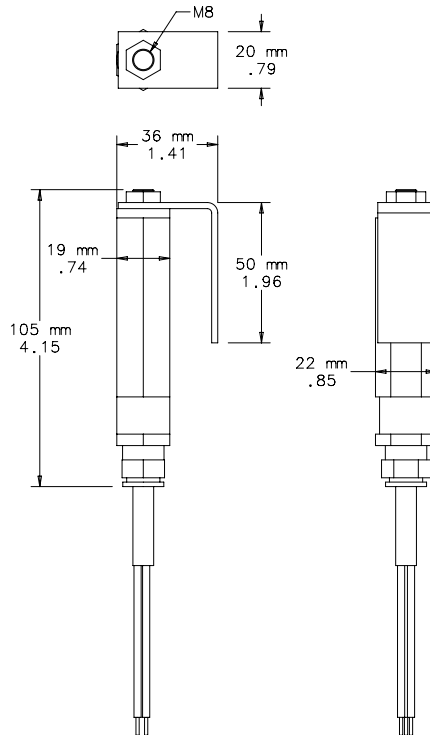
- Compact design
- Set temperature
- High switching capacity
- Small hysteresis (switching difference)
- Long service life (greater than 100,000 cycles)
- Can usually be connected directly and switched without the need for additional relays
- Thermostatic bimetallic sensor element
- One-pole contact opens with rising temperature
- Mounting bracket and DIN clip for mounting
- Connection cable: Si HF - JZ 3 x AWG 18 x 3.3 ft. (0.75 mm<sup>2</sup> x 1 m)

### FINISH

- Black anodized aluminum

### Performance Data Hazardous Location Thermostat

CATALOG NUMBERS	
	HLTHERMNC
DESIGN DATA	
Maximum Operating Voltage (AC)	250 V
Maximum Operating Voltage (DC)	100 V
Switching Capacity @ 250 VAC	4A resistive; 1A ind. (cos f = 0.6)
Switch Off (Open) Temperature (°F)	77 +/- 6
Switch Off (Open) Temperature (°C)	25 +/- 3K
Switch On (Closed) Temperature below Switch Off Temperature (°F)	7.2 +/- 2
Switch On (Closed) Temperature below Switch Off Temperature (°C)	4 +/- 1K



87921425

## Notes



## X-ON Electronics

Largest Supplier of Electrical and Electronic Components

*Click to view similar products for [hoffman manufacturer](#):*

Other Similar products are found below :

[A-1412CHQR](#) [CSD201610](#) [CSD20168SS](#) [CSD20206](#) [CSD20208SS](#) [CSD24168](#) [CSD36248](#) [CSD36308](#) [PCU7](#) [PT126](#) [A1008CHNFSS](#)  
[A10106CH](#) [A10106CHFL](#) [A10106PHCW](#) [A1066JFGQRR](#) [A1210CHNF](#) [A1212SC](#) [A1412CHNFSS](#) [A161208LP](#) [A161410CH](#) [A16H12ALP](#)  
[A16P14](#) [A16P16G](#) [A18P16AL](#) [A20H16BLP](#) [A20P16](#) [A24H2408SSLP](#) [Q13138PCE](#) [A404CH](#) [A606CHNF](#) [A606NF](#) [A806SC](#) [A845JFGR](#)  
[A864CHQRFGW](#) [A90P36F1](#) [HJ1412HWPL2LG](#) [HJ1816HWPL2LG](#) [RHJ1210HWPL2LG](#) [AS125SS](#) [ASE10X10X4](#) [ASE12X12X4](#) [E1PBG](#)  
[E2PBG](#) [E3PB](#) [LED24V15](#) [LF230VD](#) [A10106PHC](#) [A10P8SS](#) [A1210CHEMC](#) [A1210CHFL](#)