


# PCB TERMINAL BLOCKS

## 3.5mm Pitch Pluggable Rising Clamp Terminal

- 2-20 pole solid block
- Pluggable male-female connectors
- Closed headers
- Horizontal female plug style
- Vertical female plug style available on request
- Polarised mouldings
- Moulded in green UL94-V0 flame retardant PA
- Professional rising clamp terminals
- 0.2-1.0mm<sup>2</sup> (30-16AWG) solid & stranded cable
- Anti solder wicking
- Captive screws
- Guided pin alignment
-  approved

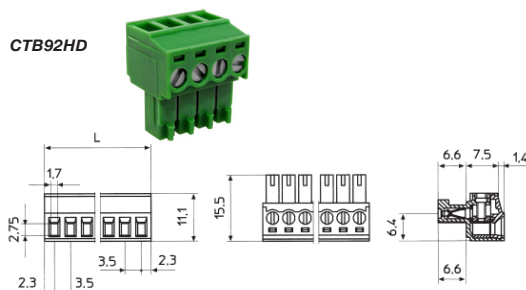
### SPECIFICATION

Rating	10A/200V UL=8A/300V, VDE&IMQ=10A/200V
Dielectric strength	≥2.5kV
Working temperature	110°C
Moulding	UL94-V0 flame retardant PA
Pin/terminal	Tinned phosphor bronze
Rising clamp	Nickel copper flash brass
Screw/torque	M2 steel zinc plated, 0.3Nm
Recommended PCB hole size	ø1.2mm

### Female connector

TYPE NO.	POLES	LENGTH
CTB92HD/2	2	7mm
CTB92HD/3	3	10.5mm
CTB92HD/4	4	14mm
CTB92HD/5	5	17.5mm
CTB92HD/6	6	21mm
CTB92HD/7	7	24.5mm
CTB92HD/8	8	28mm
CTB92HD/9	9	31.5mm
CTB92HD/10	10	35mm
CTB92HD/11	11	38.5mm

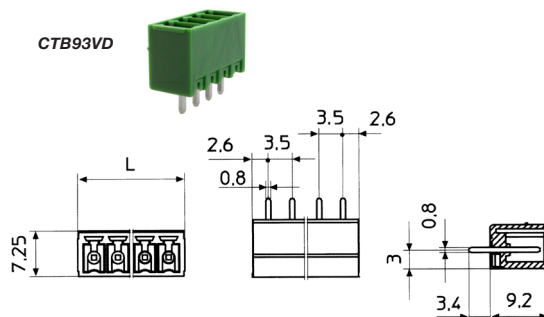
TYPE NO.	POLES	LENGTH
CTB92HD/12	12	42mm
CTB92HD/13	13	45.5mm
CTB92HD/14	14	49mm
CTB92HD/15	15	52.5mm
CTB92HD/16	16	56mm
CTB92HD/17	17	59.5mm
CTB92HD/18	18	56mm
CTB92HD/19	19	66.5mm
CTB92HD/20	20	70mm



### PCB mounting male vertical (closed ended)

TYPE NO.	POLES	LENGTH
CTB93VD/2	2	8.4mm
CTB93VD/3	3	11.9mm
CTB93VD/4	4	15.4mm
CTB93VD/5	5	18.9mm
CTB93VD/6	6	22.4mm
CTB93VD/7	7	25.9mm
CTB93VD/8	8	29.4mm
CTB93VD/9	9	32.9mm
CTB93VD/10	10	36.4mm
CTB93VD/11	11	39.9mm

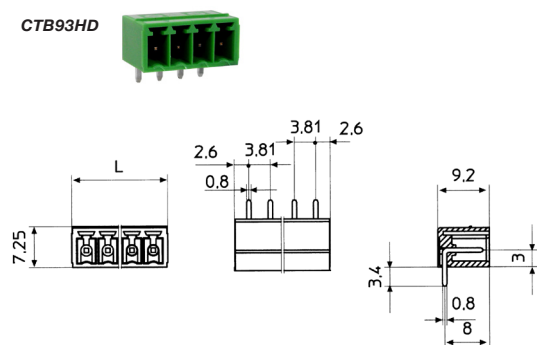
TYPE NO.	POLES	LENGTH
CTB93VD/12	12	43.4mm
CTB93VD/13	13	46.9mm
CTB93VD/14	14	50.4mm
CTB93VD/15	15	53.9mm
CTB93VD/16	16	57.4mm
CTB93VD/17	17	60.9mm
CTB93VD/18	18	64.4mm
CTB93VD/19	19	67.9mm
CTB93VD/20	20	71.4mm



### PCB mounting male horizontal (closed ended)

TYPE NO.	POLES	LENGTH
CTB93HD/2	2	8.4mm
CTB93HD/3	3	11.9mm
CTB93HD/4	4	15.4mm
CTB93HD/5	5	18.9mm
CTB93HD/6	6	22.4mm
CTB93HD/7	7	25.9mm
CTB93HD/8	8	29.4mm
CTB93HD/9	9	32.9mm
CTB93HD/10	10	36.4mm
CTB93HD/11	11	39.9mm

TYPE NO.	POLES	LENGTH
CTB93HD/12	12	43.4mm
CTB93HD/13	13	46.9mm
CTB93HD/14	14	50.4mm
CTB93HD/15	15	53.9mm
CTB93HD/16	16	57.4mm
CTB93HD/17	17	60.9mm
CTB93HD/18	18	64.4mm
CTB93HD/19	19	67.9mm
CTB93HD/20	20	71.4mm



PCB  
TERMINAL  
BLOCKS

INTER-  
CONNECTION

FUSES &  
FUSE-  
HOLDERS

LEDs &  
INDICATORS

MINIATURE  
SWITCHES

LIMIT &  
SAFETY  
SWITCHES

CONTROL  
PRODUCTS

INTERFACE  
MODULES &  
SUPPORTS

RELAY  
BASES

ENCLOSURES

BATTERIES

TRANS-  
FORMERS

## X-ON Electronics

Largest Supplier of Electrical and Electronic Components

*Click to view similar products for [camden manufacturer](#):*

Other Similar products are found below :

[412689X](#) [CTBP92VE/12R](#) [CTBP9350/12](#) [IND515205-240-T/GRN](#) [IND515205-240-T/RD](#) [IND5032405-240-T/GRN](#) [CE10.00.EI](#)  
[C192SHAND](#) [CNMB/6ST/2](#) [CNMB/4ST/2](#) [CSACST004](#) [CTBP9200/9](#) [CIME/M/BE2250SS](#) [CHH64E1BL](#) [CIM/15W-DMFS](#) [CHHBAT2GY](#)  
[CFTBN/2](#) [CCB2S1/04](#) [CHDX6-221C](#) [CHDX8-224](#) [CHDASMP29](#) [CHDASMP34](#) [CHDX810DD](#) [CHDX811DD](#) [CCTTM40LR](#)  
[CTBP92VJ/5S](#) [CTBP92VJ/8R](#) [CTSN431/12/M](#) [CTSN433/12/M](#) [CUABOX006](#) [CE10.00.FM](#) [CBRPH-BLK](#) [BIM2003/13-WH/WH](#)  
[RX2008/S-5-WH](#) [CBARD-CAR](#) [CRDCG0007](#) [CNMB/4/KIT](#) [CTB5050/5](#) [CTBP92HE/11](#) [CTBP9358/10AO](#) [CHH66C2GY](#) [CHH456PBK](#)  
[CHH451ABK](#) [CIM/9W-DMFS](#) [CIM/25W-DMFS](#) [RTM5006/16-NC-BLK](#) [IND5032405-125-T/AMB](#) [CCB1S1/03](#) [CCD2S1/04](#) [CCE1S1/05](#)