



High Performance LED MR16 Lamp

LuxDot™ combines LedEngin's industry-leading high performance LED technology with patented precision optics to deliver both the performance of a conventional halogen light source and the benefits of solid state lighting. LuxDot delivers the quality and quantity of light required for a broad range of spot, accent, track and downlighting applications in standard spot, narrow flood and flood beam patterns.

Accent and Downlighting Applications:

- Retail
- Hospitality
- Museum
- General lighting

Features

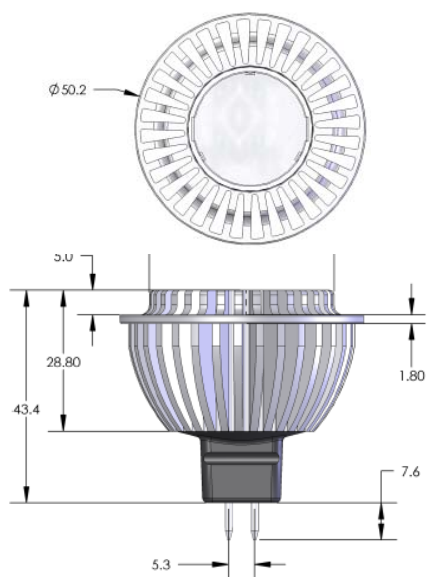
- Performance equivalent to 20W halogen MR16
- 70% power savings over 20W halogen MR16 and >10 times the service life
- Smooth light gradient eliminates hot spots and rings for better illumination throughout beam
- Form factor meets GU5.3/GX5.3 MR16 package standards
- Power factor > 0.9 for commercial installations
- Industry leading lumen maintenance
- Color point stability better than 10X Energy Star requirements
- UL, cUL, and CE certified
- 3 year limited warranty
- Compatible with many electronic transformers; compliance with UL2108 for short protection required
- For recommended transformers visit: [http://www.ledengin.com/luxdot/LuxDot Transformer Compatability List.xls](http://www.ledengin.com/luxdot/LuxDot%20Transformer%20Compatibility%20List.xls)

Product Options and Optical Specifications – Typical Values @ T_a=25° C

Beam	Part Number	Color Temperature (K)	Center Beam Candlepower (cd)	Illuminance at 9' (Fc)	Light Output (Lumens)	Color Rendering Index (CRI)
Spot 12°	LD16-021W27	Warm White 2700K	1480	18	175	85
	LD16-021W29	Warm White 2900K	1560	19	185	85
	LD16-021W31	Warm White 3100K	1700	21	200	85
	LD16-021N41	Neutral White 4100K	2020	25	245	75
	LD16-021D55	Daylight White 5500K	2300	28	280	75
Narrow Flood 23°	LD16-022W27	Warm White 2700K	940	12	175	85
	LD16-022W29	Warm White 2900K	990	12	185	85
	LD16-022W31	Warm White 3100K	1060	13	200	85
	LD16-022N41	Neutral White 4100K	1290	16	245	75
	LD16-022D55	Daylight White 5500K	1430	18	280	75
Flood 37°	LD16-023W27	Warm White 2700K	470	6	175	85
	LD16-023W29	Warm White 2900K	500	6	185	85
	LD16-023W31	Warm White 3100K	530	7	200	85
	LD16-023N41	Neutral White 4100K	630	8	245	75
	LD16-023D55	Daylight White 5500K	720	9	280	75

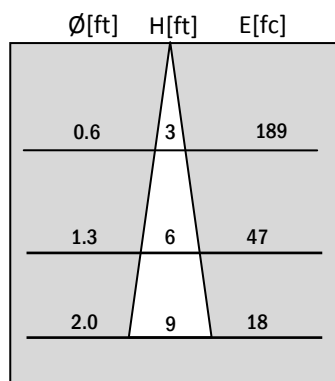
Operating Specifications

Outline Dimensions

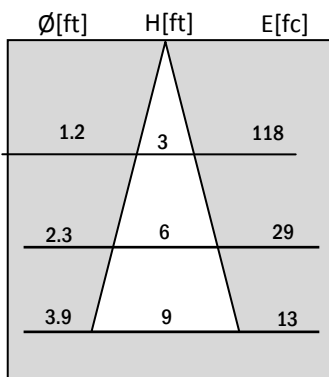


Parameter	Value
Maximum Input Voltage	12V AC/ 9V DC
Power Consumption	5.7W
Ambient Temperature	-20°C to +40°C
Storage Temperature	-40°C to +85°C
Lumen Maintenance	Average >70% at 50K hours, T _A 25°C

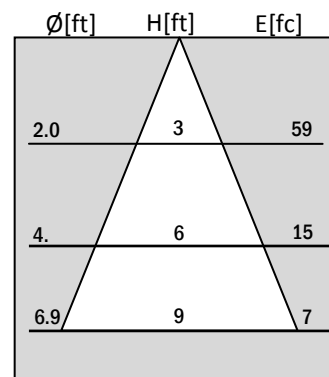
Beam Spread Chart



3100K Spot Beam



3100K Narrow Flood Beam



3100K Flood Beam

LUXDOT™
LUX ON TARGET



High Performance
LED MR16 Lamp

LedEngin, Inc.

Tel: +1 (408) 492-0620
3350 Scott Blvd. Bldg. 9
Santa Clara, CA 95054 USA
Email: luxdot@ledengin.com
www.luxdot.net

CAUTION – Risk of Electric Shock – Use in Dry Locations Only.

Not for use where exposed to the weather.

Not for use in totally enclosed recessed fixtures.

This device is not intended for use with emergency fixtures or emergency exit lights.

Use only with transformers with short protection compliant with UL2108. Compatible transformers are listed on our website at: [www.ledengin.com/luxdot/LuxDot Transformer Compatability List.xls](http://www.ledengin.com/luxdot/LuxDot%20Transformer%20Compatibility%20List.xls)

X-ON Electronics

Largest Supplier of Electrical and Electronic Components

Click to view similar products for [ledengin](#) manufacturer:

Other Similar products are found below :

[LS17-002W27](#) [LZ4-00MA00](#)