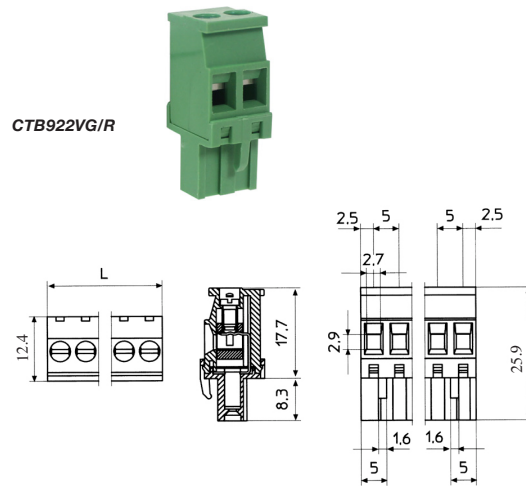


CAMBLOCK

Female connector vertical (reversed)

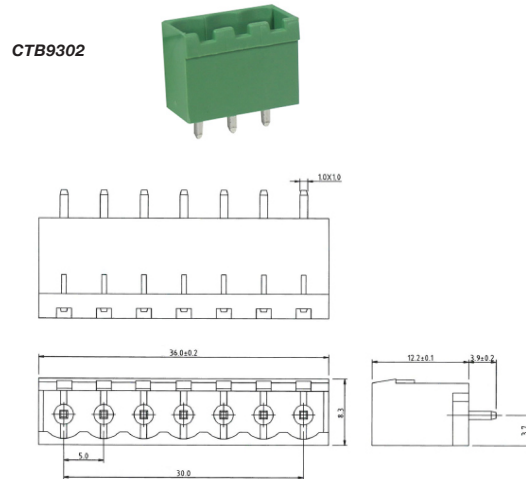
TYPE NO.	POLES	LENGTH	TYPE NO.	POLES	LENGTH
CTB922VG/2R	2	10mm	CTB922VG/14R	14	70mm
CTB922VG/3R	3	15mm	CTB922VG/15R	15	75mm
CTB922VG/4R	4	20mm	CTB922VG/16R	16	80mm
CTB922VG/5R	5	25mm	CTB922VG/17R	17	85mm
CTB922VG/6R	6	30mm	CTB922VG/18R	18	90mm
CTB922VG/7R	7	35mm	CTB922VG/19R	19	95mm
CTB922VG/8R	8	40mm	CTB922VG/20R	20	100mm
CTB922VG/9R	9	45mm	CTB922VG/21R	21	105mm
CTB922VG/10R	10	50mm	CTB922VG/22R	22	110mm
CTB922VG/11R	11	55mm	CTB922VG/23R	23	115mm
CTB922VG/12R	12	60mm	CTB922VG/24R	24	120mm
CTB922VG/13R	13	65mm			



PCB
TERMINAL
BLOCKS

PCB mounting male vertical (closed ended)

TYPE NO.	POLES	LENGTH	TYPE NO.	POLES	LENGTH
CTB9302/2	2	11.2mm	CTB9302/14	14	71.2mm
CTB9302/3	3	16.2mm	CTB9302/15	15	76.2mm
CTB9302/4	4	21.2mm	CTB9302/16	16	81.2mm
CTB9302/5	5	26.2mm	CTB9302/17	17	86.2mm
CTB9302/6	6	31.2mm	CTB9302/18	18	91.2mm
CTB9302/7	7	36.2mm	CTB9302/19	19	96.2mm
CTB9302/8	8	41.2mm	CTB9302/20	20	101.2mm
CTB9302/9	9	46.2mm	CTB9302/21	21	106.2mm
CTB9302/10	10	51.2mm	CTB9302/22	22	111.2mm
CTB9302/11	11	56.2	CTB9302/23	23	116.2mm
CTB9302/12	12	61.2mm	CTB9302/24	24	121.2mm
CTB9302/13	13	66.2mm			



X-ON Electronics

Largest Supplier of Electrical and Electronic Components

Click to view similar products for [camden manufacturer](#):

Other Similar products are found below :

[412689X](#) [CTBP92VE/12R](#) [CTBP9350/12](#) [IND515205-240-T/GRN](#) [IND515205-240-T/RD](#) [IND5032405-240-T/GRN](#) [CE10.00.EI](#)
[C192SHAND](#) [CNMB/6ST/2](#) [CNMB/4ST/2](#) [CSACST004](#) [CTBP9200/9](#) [CIME/M/BE2250SS](#) [CHH64E1BL](#) [CIM/15W-DMFS](#) [CHHBAT2GY](#)
[CFTBN/2](#) [CCB2S1/04](#) [CHDX6-221C](#) [CHDX8-224](#) [CHDASMP29](#) [CHDASMP34](#) [CHDX810DD](#) [CHDX811DD](#) [CCTTM40LR](#)
[CTBP92VJ/5S](#) [CTBP92VJ/8R](#) [CTSN431/12/M](#) [CTSN433/12/M](#) [CUABOX006](#) [CE10.00.FM](#) [CBRPH-BLK](#) [BIM2003/13-WH/WH](#)
[RX2008/S-5-WH](#) [CBARD-CAR](#) [CRDCG0007](#) [CNMB/4/KIT](#) [CTB5050/5](#) [CTBP92HE/11](#) [CTBP9358/10AO](#) [CHH66C2GY](#) [CHH456PBK](#)
[CHH451ABK](#) [CIM/9W-DMFS](#) [CIM/25W-DMFS](#) [RTM5006/16-NC-BLK](#) [IND5032405-125-T/AMB](#) [CCB1S1/03](#) [CCD2S1/04](#) [CCE1S1/05](#)