


CAMBLOCK PLUS

7.5mm Pitch Standard Profile Rising Clamp Terminal Blocks

- 2 & 3 pole double interlocking mechanism for increased strength
- Moulded in green UL94-V0 flame retardant PA66
- Professional rising clamp terminals
- 2.5mm² (22-12AWG)
- Guided pin alignment
-  approved

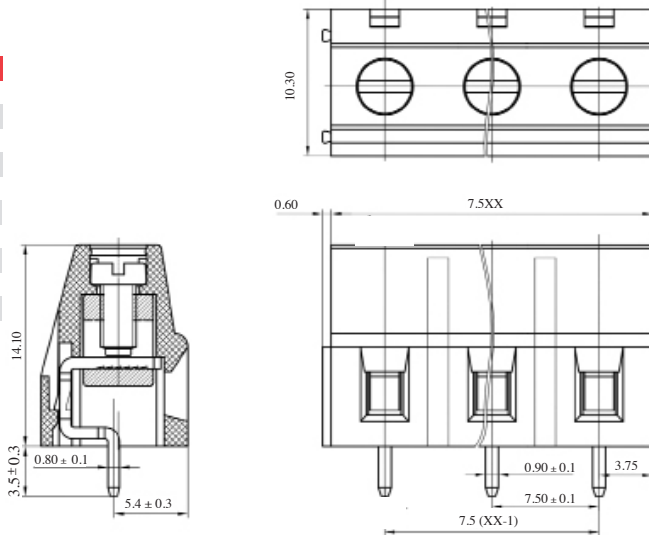
CTBP0110




| TYPE NO. | POLES | LENGTH |
|-------------|-------|--------|
| CTBP0110/2 | 2 | 15mm |
| CTBP0110/3 | 3 | 22.5mm |
| CTBP0110/4 | 4 | 30mm |
| CTBP0110/5 | 5 | 37.5mm |
| CTBP0110/6 | 6 | 45mm |
| CTBP0110/7 | 7 | 52.5mm |
| CTBP0110/8 | 8 | 60mm |
| CTBP0110/9 | 9 | 67.5mm |
| CTBP0110/10 | 10 | 75mm |
| CTBP0110/11 | 11 | 82.5mm |
| CTBP0110/12 | 12 | 90mm |

SPECIFICATION

| | |
|---------------------------|-------------------------------|
| Rating | 10A/300V |
| Insulation resistance | 500MΩ/500V |
| Withstand Voltage | AC2000V/1min |
| Contact Resistance | 20mΩ (max) |
| Working Temperature | -40°C to 105+°C |
| Mouldings | UL94-V0 Flame retardant PA66 |
| Pin/Terminal | Tin plated brass |
| Rising Clamp | Brass, nickel plated |
| Screw/Torque | M2.5 Steel, zinc plated 0.4Nm |
| Recommended PCB hole size | ø1.5mm |



7.5mm Pitch Standard Profile 90° Rising Clamp Terminal Blocks

- 2 & 3 pole double interlocking mechanism for increased strength
- Moulded in green UL94-V0 flame retardant PA66
- Professional rising clamp terminals
- 2.5mm² (22-12AWG)
- Guided pin alignment
-  approved

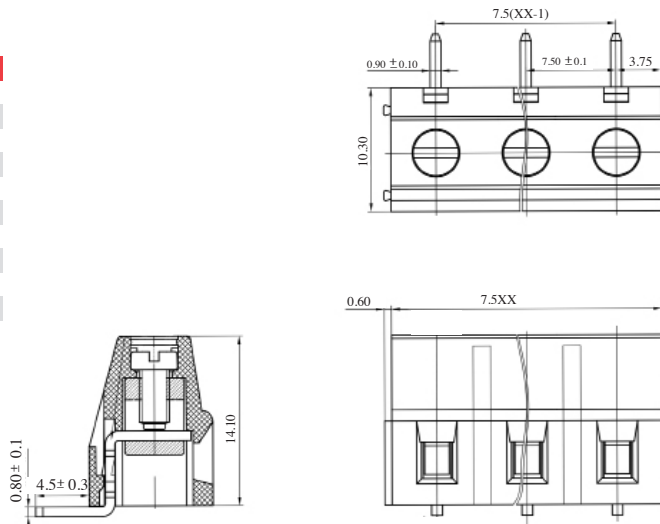
CTBP0115



| TYPE NO. | POLES | LENGTH |
|-------------|-------|--------|
| CTBP0115/2 | 2 | 15mm |
| CTBP0115/3 | 3 | 22.5mm |
| CTBP0115/4 | 4 | 30mm |
| CTBP0115/5 | 5 | 37.5mm |
| CTBP0115/6 | 6 | 45mm |
| CTBP0115/7 | 7 | 52.5mm |
| CTBP0115/8 | 8 | 60mm |
| CTBP0115/9 | 9 | 67.5mm |
| CTBP0115/10 | 10 | 75mm |
| CTBP0115/11 | 11 | 82.5mm |
| CTBP0115/12 | 12 | 90mm |

SPECIFICATION

| | |
|---------------------------|-------------------------------|
| Rating | 10A/300V |
| Insulation resistance | 500MΩ/500V |
| Withstand Voltage | AC2000V/1min |
| Contact Resistance | 20mΩ (max) |
| Working Temperature | -40°C to 105+°C |
| Mouldings | UL94-V0 Flame retardant PA66 |
| Pin/Terminal | Tin plated brass |
| Rising Clamp | Brass, nickel plated |
| Screw/Torque | M2.5 Steel, zinc plated 0.4Nm |
| Recommended PCB hole size | ø1.5mm |



X-ON Electronics

Largest Supplier of Electrical and Electronic Components

Click to view similar products for [camden manufacturer](#):

Other Similar products are found below :

[412689X](#) [CTBP92HE/10](#) [CTBP92VE/12R](#) [CTBP9350/12](#) [IND515205-240-T/GRN](#) [IND515205-240-T/RD](#) [IND5032405-240-T/GRN](#)
[CE10.00.EI](#) [C192SHAND](#) [RTM5006/16-PAT](#) [CNMB/6ST/2](#) [CNMB/4ST/2](#) [CSACST004](#) [CTBP9200/9](#) [CIME/M/BE2250SS](#) [CHH64E1BL](#)
[CIM/15W-DMFS](#) [CHHBAT2GY](#) [CFTBN/2](#) [CCB2S1/04](#) [CHDX6-222C](#) [CHDX8-224](#) [CHDASMP29](#) [CHDASMP34](#) [CHDX810DD](#)
[CHDX811DD](#) [CCTTM40LR](#) [CTBP92VJ/5S](#) [CTBP92VJ/8R](#) [CTSN431/12/M](#) [CTSN433/12/M](#) [CUABOX006](#) [IND513113-LED-RD](#)
[CE10.00.FM](#) [CBRPH-BLK](#) [RX2008/S-5-WH](#) [CBARD-CAR](#) [CRDCG0007](#) [CNMB/4/KIT](#) [CTB5050/5](#) [CTBP92HE/11](#) [CTBP9358/10AO](#)
[CHH66C2GY](#) [CHH456PBK](#) [CHH451ABK](#) [CIM/9W-DMFS](#) [CIM/25W-DMFS](#) [RTM5004/14-NC-BLK](#) [RTM5006/16-NC-BLK](#)
[IND5032405-125-T/AMB](#)