

CAMBLOCK PLUS

5mm Pitch Standard Profile Rising Clamp Terminal Blocks

PCB
TERMINAL
BLOCKS

- 2 & 3 pole double interlocking mechanism for increased strength
- Moulded in green UL94-V0 flame retardant PA66
- 2.5mm² (22-12AWG)
- Professional rising clamp terminals
- Guided pin alignment
- Captive screws
- cULus & CE approved

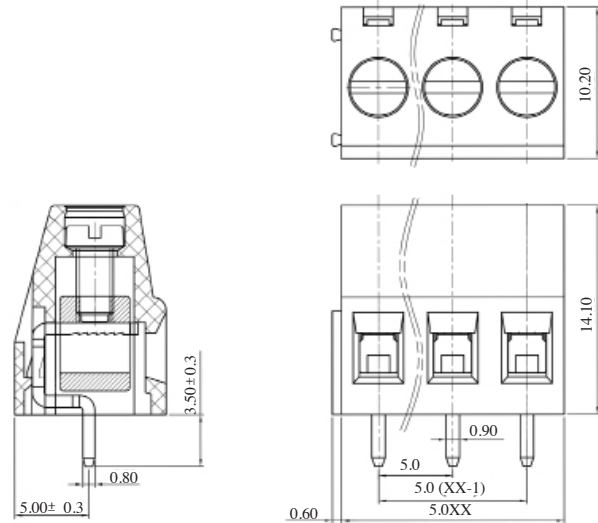
CTBP0100



SPECIFICATION

Rating	16A/300V
Insulation resistance	500MΩ/500V
Withstand Voltage	AC2000V/1min
Contact Resistance	20mΩ (max)
Working Temperature	-40°C to 105+°C
Mouldings	UL94-V0 Flame retardant PA66
Pin/Terminal	Tin plated brass
Rising Clamp	Brass, nickel plated
Screw/Torque	M2.5 Steel, zinc plated 0.4Nm
Recommended PCB hole size	ø1.5mm

TYPE NO.	POLES	LENGTH
CTBP0100/2	2	10mm
CTBP0100/3	3	15mm
CTBP0100/4	4	20mm
CTBP0100/5	5	25mm
CTBP0100/6	6	30mm
CTBP0100/7	7	35mm
CTBP0100/8	8	40mm
CTBP0100/9	9	45mm
CTBP0100/10	10	50mm
CTBP0100/11	11	55mm
CTBP0100/12	12	60mm



5mm Pitch Standard Profile 90° Rising Clamp Terminal Blocks

- 2 & 3 pole double interlocking mechanism for increased strength
- Moulded in green UL94-V0 flame retardant PA66
- Professional rising clamp terminals
- 2.5mm² (22-12AWG)
- Guided pin alignment
- Captive screws
- cULus & CE approved

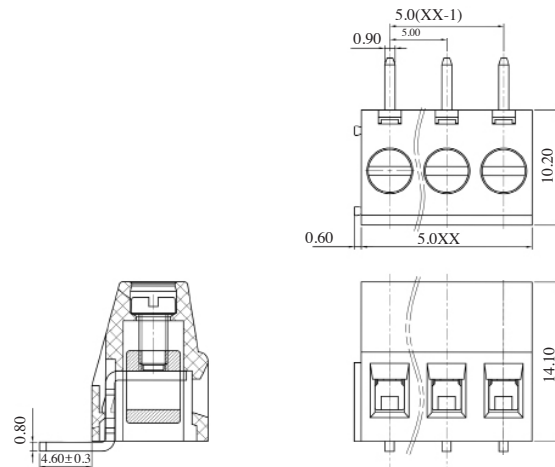
CTBP0150



SPECIFICATION

Rating	16A/300V
Insulation resistance	500MΩ/500V
Withstand Voltage	AC2000V/1min
Contact Resistance	20mΩ (max)
Working Temperature	-40°C to 105+°C
Mouldings	UL94-V0 Flame retardant PA66
Pin/Terminal	Tin plated brass
Rising Clamp	Brass, nickel plated
Screw/Torque	M2.5 Steel, zinc plated 0.4Nm
Recommended PCB hole size	ø1.5mm

TYPE NO.	POLES	LENGTH
CTBP0150/2	2	10mm
CTBP0150/3	3	15mm
CTBP0150/4	4	20mm
CTBP0150/5	5	25mm
CTBP0150/6	6	30mm
CTBP0150/7	7	35mm
CTBP0150/8	8	40mm
CTBP0150/9	9	45mm
CTBP0150/10	10	50mm
CTBP0150/11	11	55mm
CTBP0150/12	12	60mm



X-ON Electronics

Largest Supplier of Electrical and Electronic Components

Click to view similar products for [camden manufacturer](#):

Other Similar products are found below :

[412689X](#) [CTBP92HE/10](#) [CTBP92VE/12R](#) [CTBP9350/12](#) [IND515205-240-T/GRN](#) [IND515205-240-T/RD](#) [IND5032405-240-T/GRN](#)
[CE10.00.EI](#) [C192SHAND](#) [RTM5006/16-PAT](#) [CNMB/6ST/2](#) [CNMB/4ST/2](#) [CSACST004](#) [CTBP9200/9](#) [CIME/M/BE2250SS](#) [CHH64E1BL](#)
[CIM/15W-DMFS](#) [CHHBAT2GY](#) [CFTBN/2](#) [CCB2S1/04](#) [CHDX6-222C](#) [CHDX8-224](#) [CHDASMP29](#) [CHDASMP34](#) [CHDX810DD](#)
[CHDX811DD](#) [CCTTM40LR](#) [CTBP92VJ/5S](#) [CTBP92VJ/8R](#) [CTSN431/12/M](#) [CTSN433/12/M](#) [CUABOX006](#) [IND513113-LED-RD](#)
[CE10.00.FM](#) [CBRPH-BLK](#) [RX2008/S-5-WH](#) [CBARD-CAR](#) [CRDCG0007](#) [CNMB/4/KIT](#) [CTB5050/5](#) [CTBP92HE/11](#) [CTBP9358/10AO](#)
[CHH66C2GY](#) [CHH456PBK](#) [CHH451ABK](#) [CIM/9W-DMFS](#) [CIM/25W-DMFS](#) [RTM5004/14-NC-BLK](#) [RTM5006/16-NC-BLK](#)
[IND5032405-125-T/AMB](#)