


CAMBLOCK PLUS

3.5mm Pitch Ultra Low Profile Commercial Screw Terminal Blocks

CTBP3051

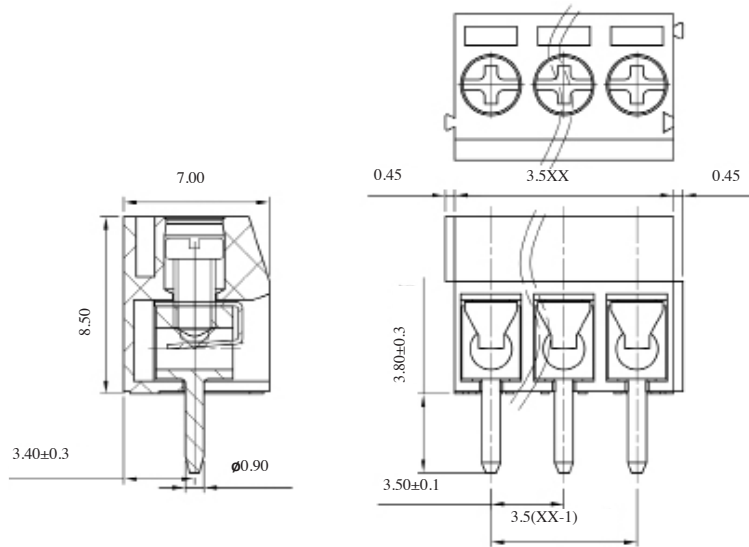
- Ultra low profile
- 2-12 pole interlocking
- UL94-V0 flame retardant PA66
- Double interlock mechanism for increased strength
- 0.5-1.0mm² (24-18AWG)
- Captive screws
- Guided pin alignment
-  approved



SPECIFICATION

Rating	UL= 10A/300V, VDE =10A/250V
Insulation resistance	500MΩ/500V
Withstand Voltage	AC2000V/1min
Contact Resistance	20mΩ (max)
Working Temperature	-40°C to 105+°C
Mouldings	UL94-V0 Flame retardant PA66
Pin/Terminal	Tin plated brass
Wire Protector	Phosphor bronze, nickel plated
Screw/Torque	M2 Steel, zinc plated 0.2Nm
Recommended PCB hole size	ø1.1mm

TYPE NO.	POLES	LENGTH
CTBP3051/2	2	7mm
CTBP3051/3	3	10.5mm
CTBP3051/4	4	14mm
CTBP3051/5	5	17.5mm
CTBP3051/6	6	21mm
CTBP3051/7	7	24.5mm
CTBP3051/8	8	28mm
CTBP3051/9	9	31.5mm
CTBP3051/10	10	35mm
CTBP3051/11	11	38.5mm
CTBP3051/12	12	42mm



X-ON Electronics

Largest Supplier of Electrical and Electronic Components

Click to view similar products for [camden manufacturer](#):

Other Similar products are found below :

[412689X](#) [CTBP92VE/12R](#) [CTBP9350/12](#) [IND515205-240-T/GRN](#) [IND515205-240-T/RD](#) [IND5032405-240-T/GRN](#) [CE10.00.EI](#)
[C192SHAND](#) [CNMB/6ST/2](#) [CNMB/4ST/2](#) [CSACST004](#) [CTBP9200/9](#) [CIME/M/BE2250SS](#) [CHH64E1BL](#) [CIM/15W-DMFS](#) [CHHBAT2GY](#)
[CFTBN/2](#) [CCB2S1/04](#) [CHDX6-221C](#) [CHDX8-224](#) [CHDASMP29](#) [CHDASMP34](#) [CHDX810DD](#) [CHDX811DD](#) [CCTTM40LR](#)
[CTBP92VJ/5S](#) [CTBP92VJ/8R](#) [CTSN431/12/M](#) [CTSN433/12/M](#) [CUABOX006](#) [CE10.00.FM](#) [CBRPH-BLK](#) [BIM2003/13-WH/WH](#)
[RX2008/S-5-WH](#) [CBARD-CAR](#) [CRDCG0007](#) [CNMB/4/KIT](#) [CTB5050/5](#) [CTBP92HE/11](#) [CTBP9358/10AO](#) [CHH66C2GY](#) [CHH456PBK](#)
[CHH451ABK](#) [CIM/9W-DMFS](#) [CIM/25W-DMFS](#) [RTM5006/16-NC-BLK](#) [IND5032405-125-T/AMB](#) [CCB1S1/03](#) [CCD2S1/04](#) [CCE1S1/05](#)