

4

3

2

1

THIS DRAWING IS UNPUBLISHED.

RELEASED FOR PUBLICATION

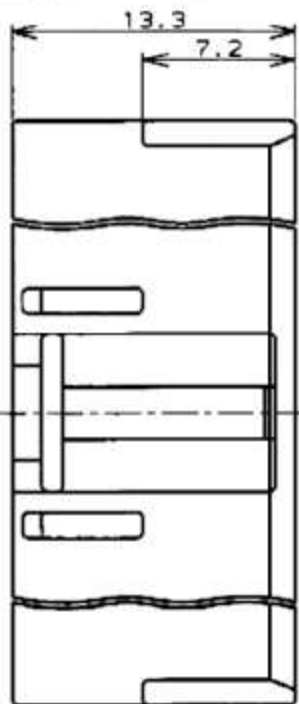
© COPYRIGHT

注記:

- 1. 適用コンタクト : 0-1123721-1
- 2. 嵌合相手製品型番 : □-1123723-□
□-1123724-□

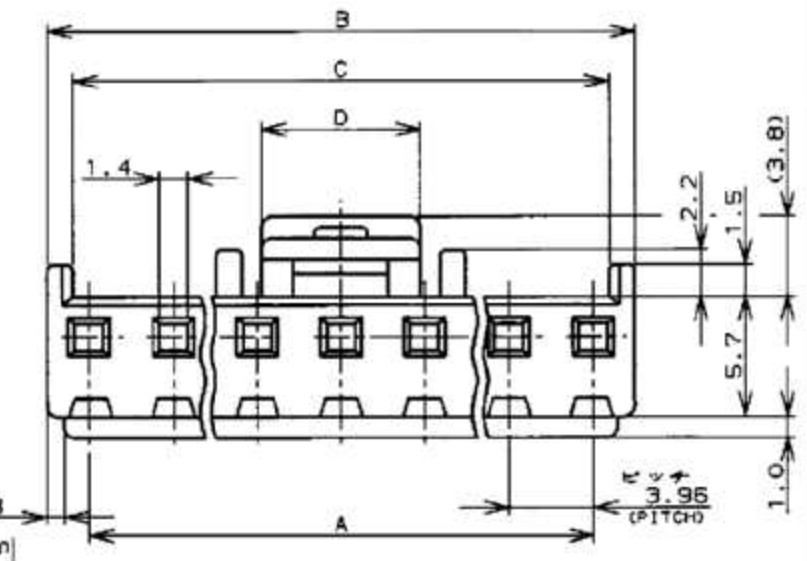
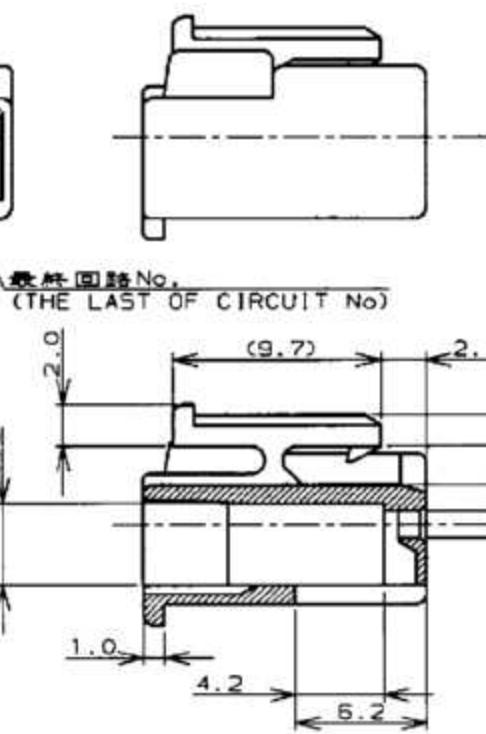
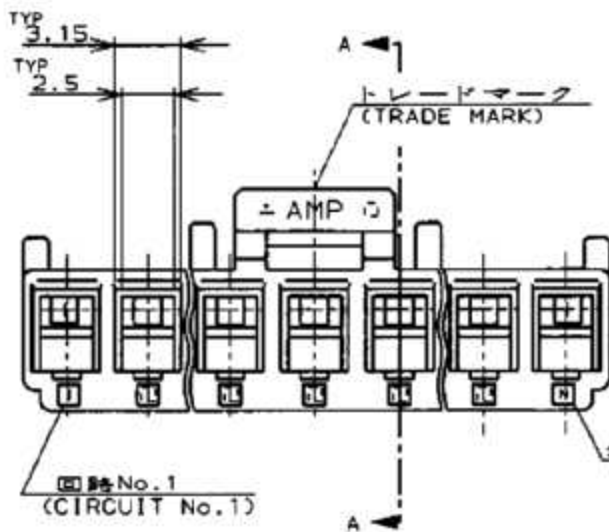
NOTES:

- 1. APPLICABLE CONTACT P/N : 0-1123721-1
- 2. MATING CONN P/N: □-1123723-□
□-1123724-□
- 3. 7-1123722-□ MEET GWT(GLOW WIRE TEST)
750 DEGREE SPEC



| | | | | | | |
|----------------|-------|-------|-------|-------------------------|-------------|----------|
| | 41.10 | 43.50 | 39.60 | ■ 自然色 (NATURAL) | 7-1123722-1 | |
| | | | | ■ 緑 (GREEN) | 6- - -1 | |
| | | | | ■ 黒 (BLACK) | 5- - -1 | |
| | | | | ■ 赤 (RED) | 4- - -1 | |
| | | | | ■ 青 (BLUE) | 3- - -1 | |
| | | | | ■ 黄 (YELLOW) | 2- - -1 | |
| | | | | ■ 自然色 (NATURAL) | 1- - -1 | |
| 7.50 | | | | ■ 自然色 (NATURAL) | 7- - -0 | |
| | | | | ■ 緑 (GREEN) | 6- - -0 | |
| | | | | ■ 黒 (BLACK) | 5- - -0 | |
| | | | | ■ 赤 (RED) | 4- - -0 | |
| | | | | ■ 青 (BLUE) | 3- - -0 | |
| | | | | ■ 黄 (YELLOW) | 2- - -0 | |
| | | | | ■ 自然色 (NATURAL) | 1- - -0 | |
| | 33.18 | 35.58 | 31.68 | ■ 自然色 (NATURAL) | 9 | 7- - -9 |
| D | C | B | A | ハウジング色調 (HOUSING COLOR) | 極数 (POS) | 型番 (P/N) |
| 寸法 (DIMENSION) | | | | | | |

| | | | | | | |
|----------------|-------|-------|-------|-------------------------|-------------|----------|
| | 33.18 | 35.58 | 31.68 | ■ 緑 (GREEN) | 6- - -9 | |
| | | | | ■ 黒 (BLACK) | 5- - -9 | |
| | | | | ■ 赤 (RED) | 4- - -9 | |
| | | | | ■ 青 (BLUE) | 3- - -9 | |
| | | | | ■ 黄 (YELLOW) | 2- - -9 | |
| | | | | ■ 自然色 (NATURAL) | 1- - -9 | |
| | | | | ■ 自然色 (NATURAL) | 7- - -8 | |
| | | | | ■ 緑 (GREEN) | 6- - -8 | |
| | | | | ■ 黒 (BLACK) | 5- - -8 | |
| | | | | ■ 赤 (RED) | 4- - -8 | |
| | | | | ■ 青 (BLUE) | 3- - -8 | |
| | | | | ■ 黄 (YELLOW) | 2- - -8 | |
| | | | | ■ 自然色 (NATURAL) | 1- - -8 | |
| 29.22 | 31.62 | 27.72 | | ■ 自然色 (NATURAL) | 7- - -7 | |
| | | | | ■ 緑 (GREEN) | 6- - -7 | |
| | | | | ■ 黒 (BLACK) | 5- - -7 | |
| | | | | ■ 赤 (RED) | 4- - -7 | |
| | | | | ■ 青 (BLUE) | 3- - -7 | |
| | | | | ■ 黄 (YELLOW) | 2- - -7 | |
| | | | | ■ 自然色 (NATURAL) | 1- - -7 | |
| | | | | ■ 自然色 (NATURAL) | 7- - -6 | |
| | | | | ■ 緑 (GREEN) | 6- - -6 | |
| | | | | ■ 黒 (BLACK) | 5- - -6 | |
| | | | | ■ 赤 (RED) | 4- - -6 | |
| | | | | ■ 青 (BLUE) | 3- - -6 | |
| | | | | ■ 黄 (YELLOW) | 2- - -6 | |
| | | | | ■ 自然色 (NATURAL) | 1- - -6 | |
| | | | | ■ 自然色 (NATURAL) | 7- - -5 | |
| | | | | ■ 緑 (GREEN) | 6- - -5 | |
| | | | | ■ 黒 (BLACK) | 5- - -5 | |
| | | | | ■ 赤 (RED) | 4- - -5 | |
| | | | | ■ 青 (BLUE) | 3- - -5 | |
| | | | | ■ 黄 (YELLOW) | 2- - -5 | |
| | | | | ■ 自然色 (NATURAL) | 1- - -5 | |
| | | | | ■ 自然色 (NATURAL) | 7- - -4 | |
| | | | | ■ 緑 (GREEN) | 6- - -4 | |
| | | | | ■ 黒 (BLACK) | 5- - -4 | |
| | | | | ■ 赤 (RED) | 4- - -4 | |
| | | | | ■ 青 (BLUE) | 3- - -4 | |
| | | | | ■ 黄 (YELLOW) | 2- - -4 | |
| | | | | ■ 自然色 (NATURAL) | 1- - -4 | |
| | | | | ■ 自然色 (NATURAL) | 7- - -3 | |
| | | | | ■ 緑 (GREEN) | 6- - -3 | |
| | | | | ■ 黒 (BLACK) | 5- - -3 | |
| | | | | ■ 赤 (RED) | 4- - -3 | |
| | | | | ■ 青 (BLUE) | 3- - -3 | |
| | | | | ■ 黄 (YELLOW) | 2- - -3 | |
| | | | | ■ 自然色 (NATURAL) | 1- - -3 | |
| | | | | ■ 自然色 (NATURAL) | 7- - -2 | |
| | | | | ■ 緑 (GREEN) | 6- - -2 | |
| | | | | ■ 黒 (BLACK) | 5- - -2 | |
| | | | | ■ 赤 (RED) | 4- - -2 | |
| | | | | ■ 青 (BLUE) | 3- - -2 | |
| | | | | ■ 黄 (YELLOW) | 2- - -2 | |
| | | | | ■ 自然色 (NATURAL) | 1-1123722-2 | |
| | 3.60 | 5.46 | 7.86 | 3.96 | | |
| D | C | B | A | ハウジング色調 (HOUSING COLOR) | 極数 (POS) | 型番 (P/N) |
| 寸法 (DIMENSION) | | | | | | |



| REV | DATE | BY | CHK | DESCRIPTION |
|-----|---------|-----|-----|---------------------------|
| D1 | 14JUN12 | A.Z | F.M | REVISED PER ECR-12-010630 |
| D | 11APR12 | L.L | F.M | REVISED PER ECR-12-006506 |
| C1 | 21MAR11 | RK | HMR | REVISED PER ECO-11-005030 |

| | | | | | | | |
|----------------------------------------------------------|--|---------------------------------------------------------------------|--|-------------------------------------------------------------------------------------------------|--|-----------------------------------------------------------------------------------------------|--|
| DIMENSIONS: 単位・種 mm | | TOLERANCES UNLESS OTHERWISE SPECIFIED 一般公差 寸法 ±0.3 寸法 ±0.4 | | DWG: 24 JUN '98 CHK: N. YAMASAKI 24 JUN '98 M. SHINDO APVD: 24 JUN '98 M. SHINDO | | | |
| MATERIAL: 66ナイロン UL94V-0 (66NYLON UL94V-0) FINISH: 仕上 | | WEIGHT: // | | PRODUCT SPEC: 108-5609 APPLICATION SPEC: // | | NAME: 3.96mm PITCH ECONOMY POWER (EP) CONN. PLUG HSG 3.96mm ピッチエコノミーパワー (EP) コネクタ プラグハウジング | |
| REVISIONS 変更 | | CUSTOMER DRAWING | | SIZE: A3 CAGE CODE: 00779 DRAWING NO: 1123722 | | RESTRICTED TO: | |
| | | SCALE: 尺実 1:1 | | SHEET: 1 OF 1 | | REV: D1 | |

参考図面

X-ON Electronics

Largest Supplier of Electrical and Electronic Components

Click to view similar products for [Headers & Wire Housings](#) category:

Click to view products by [TE Connectivity](#) manufacturer:

Other Similar products are found below :

[95000-104TRLF](#) [10135584-644402LF](#) [DF62W-EP2022PCA](#) [95000-106TRLF](#) [DF62W-2022SCA](#) [DF62W-EP2022PC](#) [2203348](#) [DF62W-2022SC](#) [1084018](#) [1029039](#) [1084017](#) [802-10-012-10-002000](#) [1112640](#) [1112639](#) [891-007-9SS-BST1T](#) [000-34000](#) [0008550134](#) [0009482033](#) [0009507031](#) [57102-F02-18ULF](#) [57102-S06-03LF](#) [57202-S52-04LF](#) [PCN6-15S-2.5E](#) [0039019024](#) [58102-G61-06LF](#) [582553-1](#) [0009485154](#) [0009508121](#) [0022285053](#) [0050291907](#) [018731A](#) [LY20-4P-DT1-P1E-BR](#) [02.125.8002.8](#) [60101931](#) [60598-1 \(Cut Strip\)](#) [M1625-3R/100](#) [61062-3](#) [61082-181009](#) [CSU011177004](#) [636-1427](#) [638009-1](#) [641938-9](#) [641991-4](#) [644168-1](#) [644827-2](#) [647662-1](#) [65039-019ELF](#) [65692-001LF](#) [65781-018](#) [65781-047](#)