



CAMBLOCK PLUS

7.5mm & 7.62mm Pitch Pluggable Rising Clamp Terminal Blocks

- 2-12 pole solid block
- Pluggable male-female connectors
- Open & closed headers
- Horizontal female plug style
- Polarised mouldings
- Moulded in green UL94-V0 flame retardant PA66
- Professional rising clamp terminals
- 1.5mm² (28-14AWG) solid & stranded cable
- Anti solder wicking
- Captive screws
- Guided pin alignment
-   approved

SPECIFICATION

Rating	15A/300V
Insulation resistance	500MΩ/500V
Withstand Voltage	AC2000V/1min
Contact Resistance	20mΩ (max)
Working Temperature	-40°C to 105+°C
Mouldings	UL94-V0 Flame retardant PA66
Pin/Terminal	Brass, Tin plated
Rising Clamp	Brass, nickel plated
Screw/Torque	M3 Steel, zinc plated 0.5Nm
Recommended PCB hole size	ø1.7mm

PCB
TERMINAL
BLOCKS

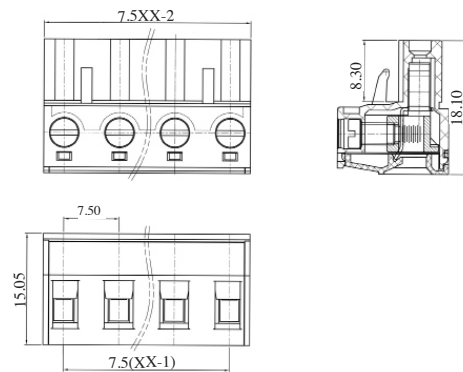
7.5mm

TYPE NO.	POLES	LENGTH
CTBP9400/2	2	13mm
CTBP9400/3	3	20.5mm
CTBP9400/4	4	28mm
CTBP9400/5	5	35.5mm
CTBP9400/6	6	43mm
CTBP9400/7	7	50.5mm
CTBP9400/8	8	58mm
CTBP9400/9	9	65.5mm
CTBP9400/10	10	73mm
CTBP9400/11	11	80.5mm
CTBP9400/12	12	88mm

7.62mm

TYPE NO.	POLES	LENGTH
CTBP9408/2	2	13.2mm
CTBP9408/3	3	20.9mm
CTBP9408/4	4	28.5mm
CTBP9408/5	5	36.1mm
CTBP9408/6	6	43.7mm
CTBP9408/7	7	51.3mm
CTBP9408/8	8	59mm
CTBP9408/9	9	66.6mm
CTBP9408/10	10	74.2mm
CTBP9408/11	11	81.8mm
CTBP9408/12	12	89.4mm

CTBP9400



PCB mounting male vertical (closed ended)

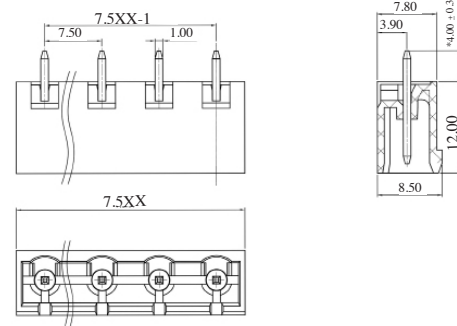
7.5mm

TYPE NO.	POLES	LENGTH
CTBP9500/2	2	15mm
CTBP9500/3	3	22.5mm
CTBP9500/4	4	30mm
CTBP9500/5	5	37.5mm
CTBP9500/6	6	45mm
CTBP9500/7	7	52.5mm
CTBP9500/8	8	60mm
CTBP9500/9	9	67.5mm
CTBP9500/10	10	75mm
CTBP9500/11	11	82.5mm
CTBP9500/12	12	90mm

7.62mm

TYPE NO.	POLES	LENGTH
CTBP9508/2	2	15.2mm
CTBP9508/3	3	22.8mm
CTBP9508/4	4	30.4mm
CTBP9508/5	5	38.1mm
CTBP9508/6	6	45.7mm
CTBP9508/7	7	53.3mm
CTBP9508/8	8	60.9mm
CTBP9508/9	9	68.6mm
CTBP9508/10	10	76.2mm
CTBP9508/11	11	83.8mm
CTBP9508/12	12	91.4mm

CTBP9500



PCB mounting male horizontal (closed ended)

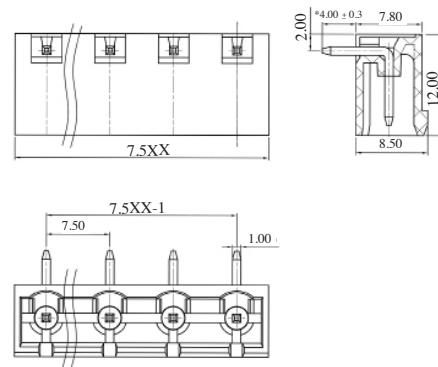
7.5mm

TYPE NO.	POLES	LENGTH
CTBP9550/2	2	15mm
CTBP9550/3	3	22.5mm
CTBP9550/4	4	30mm
CTBP9550/5	5	37.5mm
CTBP9550/6	6	45mm
CTBP9550/7	7	52.5mm
CTBP9550/8	8	60mm
CTBP9550/9	9	67.5mm
CTBP9550/10	10	75mm
CTBP9550/11	11	82.5mm
CTBP9550/12	12	90mm

7.62mm

TYPE NO.	POLES	LENGTH
CTBP9558/2	2	15.2mm
CTBP9558/3	3	22.8mm
CTBP9558/4	4	30.4mm
CTBP9558/5	5	38.1mm
CTBP9558/6	6	45.7mm
CTBP9558/7	7	53.3mm
CTBP9558/8	8	60.2mm
CTBP9558/9	9	68.5mm
CTBP9558/10	10	76.2mm
CTBP9558/11	11	83.8mm
CTBP9558/12	12	91.4mm

CTBP9550



+44 (0)1638 716101
info@camdenboss.com
www.camdenboss.com

We operate a constant improvement policy, our products are subject to change without notice.

Ver 1.0

CAMDENBOSS
ELECTRONICS & ENCLOSURES

X-ON Electronics

Largest Supplier of Electrical and Electronic Components

Click to view similar products for [Camden manufacturer](#):

Other Similar products are found below :

[CCTTR30RD](#) [412689X](#) [CTBP92VE/12R](#) [CTBP9350/12](#) [IND515205-240-T/GRN](#) [IND515205-240-T/RD](#) [CDIC00002](#) [CCTTBES](#)
[C192SHAND](#) [RX510A](#) [RTM5006/16-PAT](#) [CTB9350/12FL](#) [CTBP9308/6AO](#) [CTBP9358/11](#) [CTBP9208/8](#) [CIME/M/BE2250SS](#)
[CHH64E1BL](#) [CHD774004](#) [CHHBAT1BK](#) [CFTBN/2](#) [RTM5003/13-NAT](#) [CCB2S1/04](#) [CCM1S1/05](#) [CHDX7-224C](#) [CHDX8-221](#) [CHDX8-222](#) [CHDX8-231C](#) [CHDX810DD](#) [CHDX811DD](#) [CHDX814DD](#) [CTB9300/2A](#) [CTBP92VD/5R](#) [CTBP92VJ/8R](#) [CTSN431/12/M](#)
[CTSN433/12/M](#) [CUABOX012](#) [CDIC00005](#) [CBRPH-BLK](#) [BIM2004/LUG-GY/GY](#) [RTM5005/15-WH](#) [RTM108-BLK](#) [CNMB/4/KIT](#)
[CTB5050/5](#) [CTBP9358/10AO](#) [CTBP93VE/9](#) [CHH66C2GY](#) [CIM/9W-DMFS](#) [RTM5006/16-NC-BLK](#) [IND5032405-125-T/AMB](#) [CHTB4/3N](#)