


# CAMBLOCK PLUS

## 5.08mm Inverted/Reverse Terminal Blocks

- Horizontal & vertical orientations
- Polarized moldings
- Dual low pins for extra stability
- Also available in 5mm pitch
- Also match able with CTBP9308 and 358 headers
- Molded in green UL94-V0 flame retardant PA 66
- 1.5mm<sup>2</sup> (28-14AWG)
-  approved

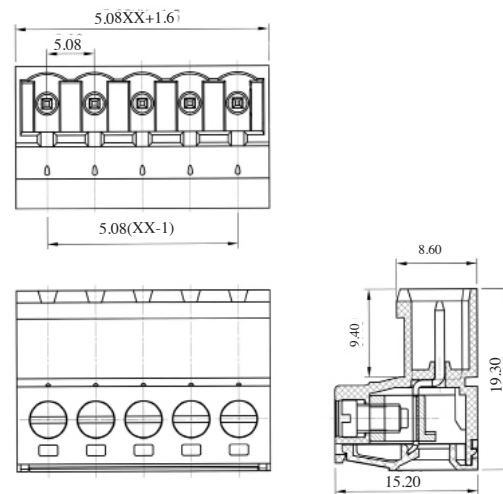
### SPECIFICATION

Rating	UL=15A/300V
Insulation resistance	500MΩ/500V
Withstand Voltage	AC2000V/1min
Contact Resistance	20mΩ (max)
Working Temperature	-40°C to 105+°C
Mouldings	UL94-V0 Flame retardant PA66
Pin/Terminal	Brass, Tin plated
Rising Clamp	Brass, nickel plated
Screw/Torque	M3 Steel, zinc plated 0.5Nm
Recommended PCB hole size	ø1.4mm

### Male Vertical Connector

TYPE NO.	POLES	LENGTH
CTBP96HJ/2	2	11.76mm
CTBP96HJ/3	3	16.84mm
CTBP96HJ/4	4	21.92mm
CTBP96HJ/5	5	27mm
CTBP96HJ/6	6	32.08mm
CTBP96HJ/7	7	37.16mm
CTBP96HJ/8	8	42.24mm
CTBP96HJ/9	9	47.32mm
CTBP96HJ/10	10	52.4mm
CTBP96HJ/11	11	57.48mm
CTBP96HJ/12	12	62.56mm

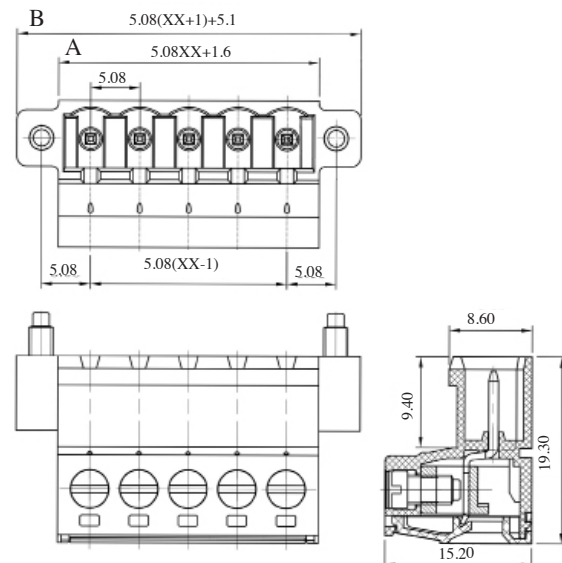
CTBP96HJ



### Male Vertical Connector, Flanged

TYPE NO.	POLES	LENGTH A	LENGTH B
CTBP96HJ/2FL	2	11.76mm	16.26mm
CTBP96HJ/3FL	3	16.84mm	21.34mm
CTBP96HJ/4FL	4	21.92mm	26.42mm
CTBP96HJ/5FL	5	27mm	31.5mm
CTBP96HJ/6FL	6	32.08mm	36.58mm
CTBP96HJ/7FL	7	37.16mm	41.66mm
CTBP96HJ/8FL	8	42.24mm	46.74mm
CTBP96HJ/9FL	9	47.32mm	51.82mm
CTBP96HJ/10FL	10	52.4mm	56.9mm
CTBP96HJ/11FL	11	57.48mm	61.98mm
CTBP96HJ/12FL	12	62.56mm	67.06mm

CTBP96HJ/FL



## X-ON Electronics

Largest Supplier of Electrical and Electronic Components

*Click to view similar products for [camden manufacturer](#):*

Other Similar products are found below :

[412689X](#) [CTBP92VE/12R](#) [CTBP9350/12](#) [IND515205-240-T/GRN](#) [IND515205-240-T/RD](#) [IND5032405-240-T/GRN](#) [CE10.00.EI](#)  
[C192SHAND](#) [CNMB/6ST/2](#) [CNMB/4ST/2](#) [CSACST004](#) [CTBP9200/9](#) [CIME/M/BE2250SS](#) [CHH64E1BL](#) [CIM/15W-DMFS](#) [CHHBAT2GY](#)  
[CFTBN/2](#) [CCB2S1/04](#) [CHDX6-221C](#) [CHDX8-224](#) [CHDASMP29](#) [CHDASMP34](#) [CHDX810DD](#) [CHDX811DD](#) [CCTTM40LR](#)  
[CTBP92VJ/5S](#) [CTBP92VJ/8R](#) [CTSN431/12/M](#) [CTSN433/12/M](#) [CUABOX006](#) [CE10.00.FM](#) [CBRPH-BLK](#) [BIM2003/13-WH/WH](#)  
[RX2008/S-5-WH](#) [CBARD-CAR](#) [CRDCG0007](#) [CNMB/4/KIT](#) [CTB5050/5](#) [CTBP92HE/11](#) [CTBP9358/10AO](#) [CHH66C2GY](#) [CHH456PBK](#)  
[CHH451ABK](#) [CIM/9W-DMFS](#) [CIM/25W-DMFS](#) [RTM5006/16-NC-BLK](#) [IND5032405-125-T/AMB](#) [CCB1S1/03](#) [CCD2S1/04](#) [CCE1S1/05](#)