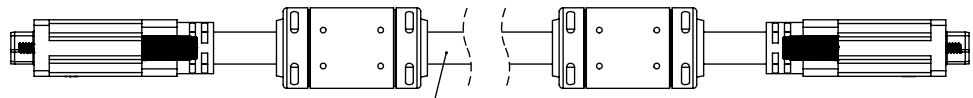
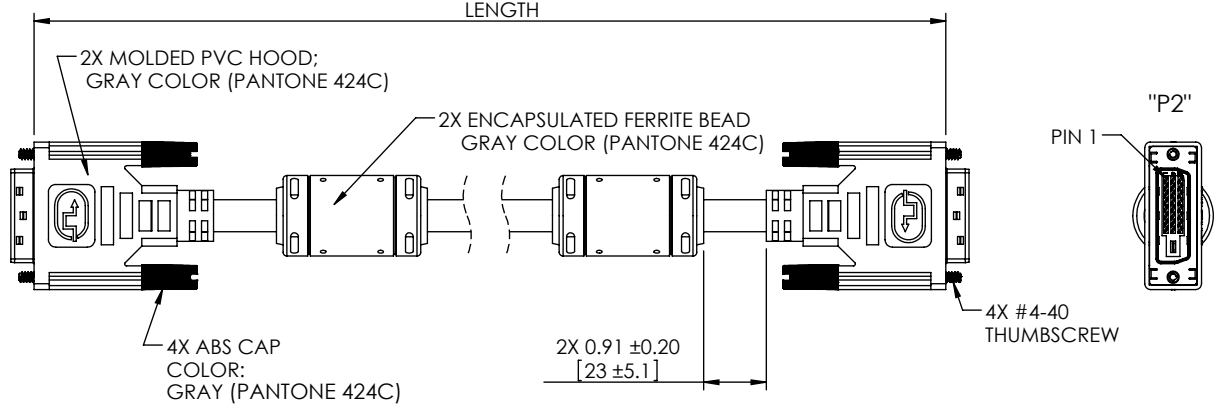
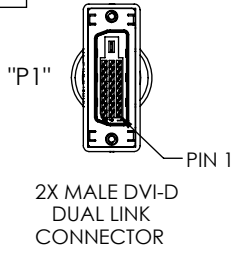


THE INFORMATION CONTAINED IN THIS DRAWING IS THE SOLE PROPERTY OF L-COM, INC. ANY REPRODUCTION IN PART OR WHOLE WITHOUT THE WRITTEN PERMISSION OF L-COM, INC. IS PROHIBITED.

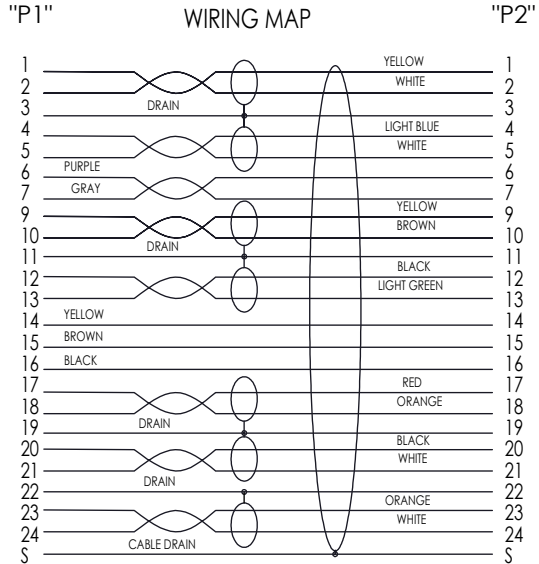
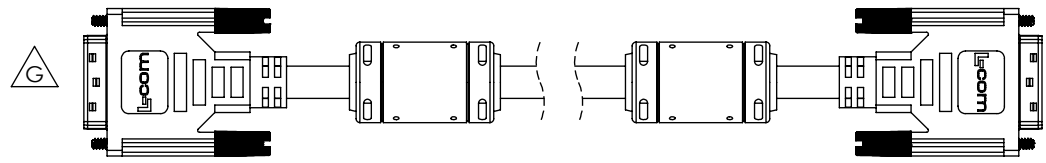
RoHS Compliant ✓

REVISIONS			
REV	DESCRIPTION	DATE	APPROVED
G	ECN 5837: ADDED LOGO	11/15/11	D. CASTRO
-	-	-	-
-	-	-	-
-	-	-	-

P/N	LENGTH	
	FEET	METERS
CTLDVI-DL-MM-3	3.0	.92
CTLDVI-DL-MM-5	5.0	1.52
CTLDVI-DL-MM-10	10.0	3.05
CTLDVI-DL-MM-15	15.0	4.57



UL STYLE 20276,
 (7) SHIELDED TWISTED PAIR, 28AWG, STRANDED TINNED COPPER,
 (1) UNSHIELDED TWISTED PAIR, 28AWG, STRANDED TINNED COPPER,
 (3) CONDUCTORS, 28AWG, STRANDED TINNED COPPER,
 SHIELDING(BRAIDED): 36AWG TINNED COPPER
 SHIELDING: ALUMINUM/POLYESTER
 OUTER JACKET: PVC; GRAY COLOR (PANTONE 424C)



PIN 8: NO CONNECTION

- NOTES:**
1. CABLES TO BE TESTED FOR CONTINUITY
 2. CABLES TO BE INDIVIDUALLY PACKAGED IN ACCORDANCE WITH L-COM SPEC. PS-0031
 3. DUST COVERS INSTALLED FOR SHIPPING (NOT SHOWN).

UNLESS OTHERWISE SPECIFIED, DIMENSIONS ARE IN INCHES [mm] OVERALL CABLE LENGTH TOLERANCE: ≤12 [305] = +1 [25] / -0 >12 [305] ≤60 [1524] = +2 [51] / -0 >60 [1524] ≤120 [3048] = +4 [102] / -0 >120 [3048] ≤300 [7620] = +6 [152] / -0 >300 [7620] = +3% / -0%	APPROVALS	DATE	L-com Global Connectivity 45 BEECHWOOD DRIVE NORTH ANDOVER, MA 01845
	DRAWN BY Bill_Zhang	10/15-'08	
ALL OTHER DIMENSIONAL TOLERANCES: .X = ±.2 .XX = ±.02 .XXX = ±.005	CHECKED BY Frank_Mao	10/15-'08	PRODUCT DESCRIPTION DVI-DL M/DVI-DL M W/FERRITE
PROJECTION 	APPROVED BY Thomas_Lu	10/15-'08	
CONFIGURATION DETAILS OF UNDIMENSIONED FEATURES MAY VARY	COLOR VARIATIONS MAY OCCUR	SIZE A	FSCM NO. 43321
REF	SCALE: NONE	CAD FILE: CTLDVI-DL-MM.SLDDRW	DWG. NO. CTLDVI-DL-MM
			REV. G
			SHEET 1 OF 1

X-ON Electronics

Largest Supplier of Electrical and Electronic Components

Click to view similar products for [l-com](#) manufacturer:

Other Similar products are found below :

[FOA-550A](#) [SDRA15AG](#) [UMC-201](#) [CSMN50MF-5](#) [CSMNB15MF-15](#) [TRD815RA2BL-5](#) [CA3N050](#) [CA3A-90DA-1M](#) [U3A00003-03M](#)
[CTLF3VGAMM-20](#) [HDCAMM-3](#) [U3A00014-03M](#) [ECF-SK-25](#) [CSMT15MF-10](#) [CSMT15MM-15](#) [CSMT15MM-25](#) [CSPL15MF-50](#)
[CSPL25MF-25](#) [CSPL9MF-10](#) [CSPL9MF-5](#) [CSPL25MF-5](#) [CSPL25MF-2.5](#) [AL-IPEPS](#) [NB201611-10F-1](#) [TDG1026KC5-MNL](#) [NB121005-](#)
[10F](#) [TRD855SRA6DBL-05M](#) [TRD855SRA6DBL-10M](#) [TRD855SRA7DBL-1M](#) [TRD855SRA7DBL-10M](#) [PR175SCDLCQ24](#) [TRG508-T4T-](#)
[3M](#) [TRA5261-15F](#) [TRA5261S-1F](#) [TRA6261-1F](#) [TRA6261-10F](#) [USBBFT](#) [DGB25M](#) [UJ5T568S](#) [CASATAL-18](#) [CSM25MM-10](#) [CSM37MF-](#)
[10](#) [CSUSB-100](#) [CA3A-90RA-1M](#) [CA3A-90RMICB-1M](#) [U2A00003-3M](#) [U3A00003-05M](#) [U2A00008-12I](#) [U3A00056-03M](#) [U3A00007-075M](#)