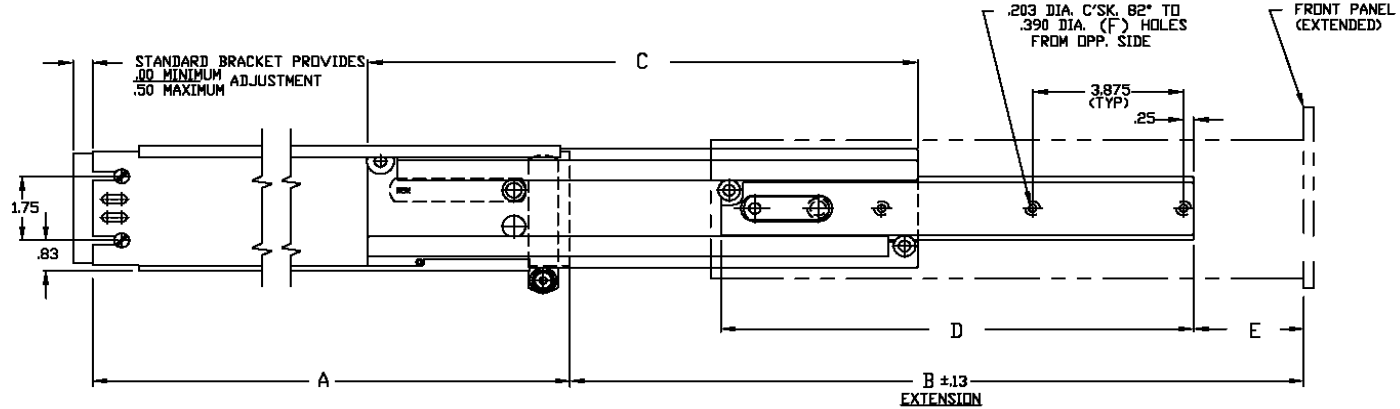
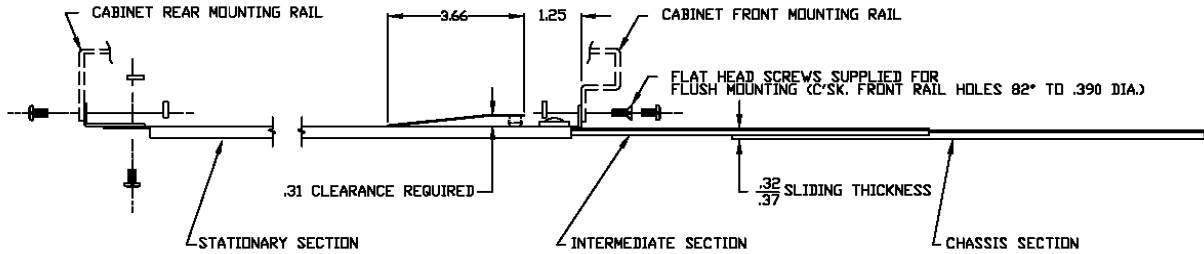


# CTRS Slide



Catalog Number	A	B (min)	B (max)	C	D	E (min)	E (max)	F	Load Capacity
CTRS-110	10.00	9.44	11.19	9.00	8.25	0.00	1.75	2	175 LBS.
CTRS-112	12.00	10.81	14.56	11.00	8.25	0.00	3.75	2	175 LBS.
CTRS-114	14.00	14.88	16.75	13.00	12.13	0.00	1.88	2	175 LBS.
CTRS-116	16.00	15.75	19.63	15.00	12.13	0.00	3.88	3	175 LBS.
CTRS-118	18.00	21.63	23.63	17.00	16.00	0.00	2.00	4	175 LBS.
CTRS-120	20.00	23.63	27.63	19.00	16.00	0.00	4.00	4	175 LBS.
CTRS-122	22.00	26.24	31.63	21.00	16.00	0.63	6.00	4	175 LBS.
CTRS-124	24.00	28.24	34.63	23.00	16.00	1.63	8.00	4	175 LBS.

## TO ORDER, SPECIFY

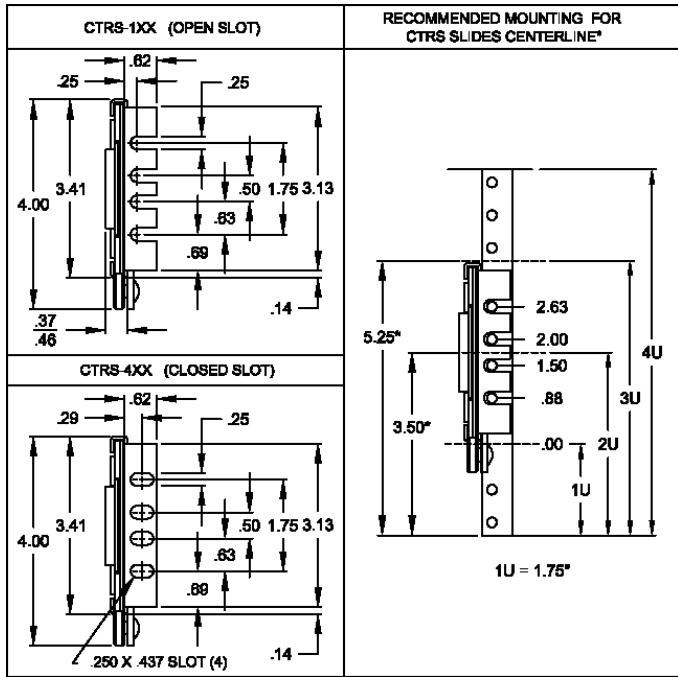


Stationary Section  
 1 - Cabinet Mount  
 2 - Strap Mount  
 4 - Closed Slot

Length

AR - Automatic Release if desired

For information on mounting slides to Off-Set mounting rail see page 26.  
 For information on Strap Mount option see page 28.



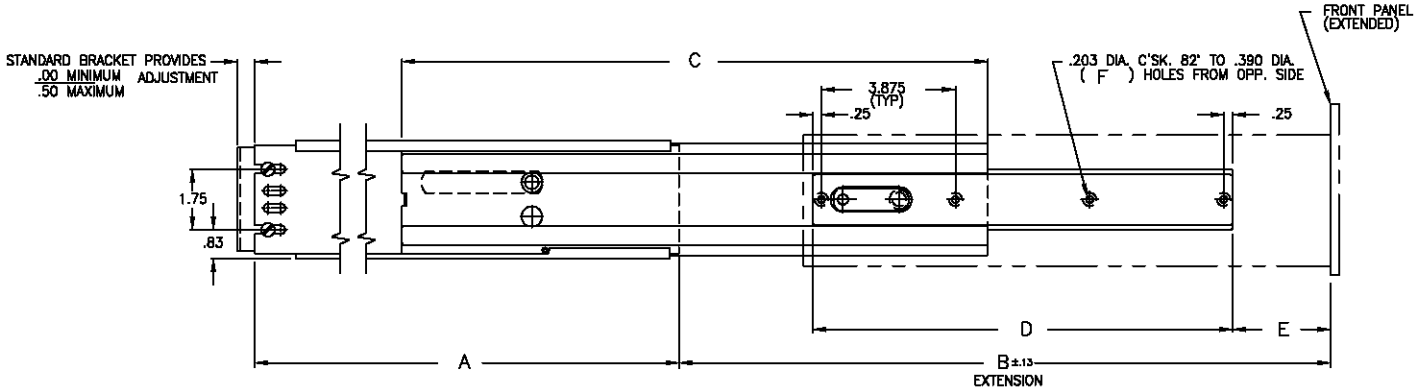
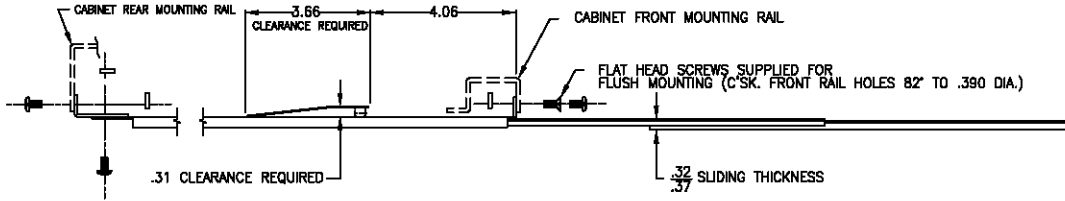
## Notes

- Right hand shown, left hand opposite.
- Finish: All standard slides are coated with Poxylube™ dry film lubricant.
- All standard slides are designed to lock-out in the extended position and are available with an optional automatic release if lock-out is not desirable.
- Standard hardware packages include all the hardware necessary to mount your Chassis Trak® slides:
  - Rear mounting bracket (B-131) included
  - Bar Nuts (CA8056-06-0020)
  - #10-32 screws and keps nuts
- All sliding members of the standard slide are made from cold rolled steel.
- All Chassis Trak® solid bearing slides are supplied with a quick disconnect feature.
- Optional mounting patterns, slide lengths and extensions are available.
- Pickup tab available for units without a front panel.
- For optional mounting brackets see page 35.

# CTS and CTRS Special Application



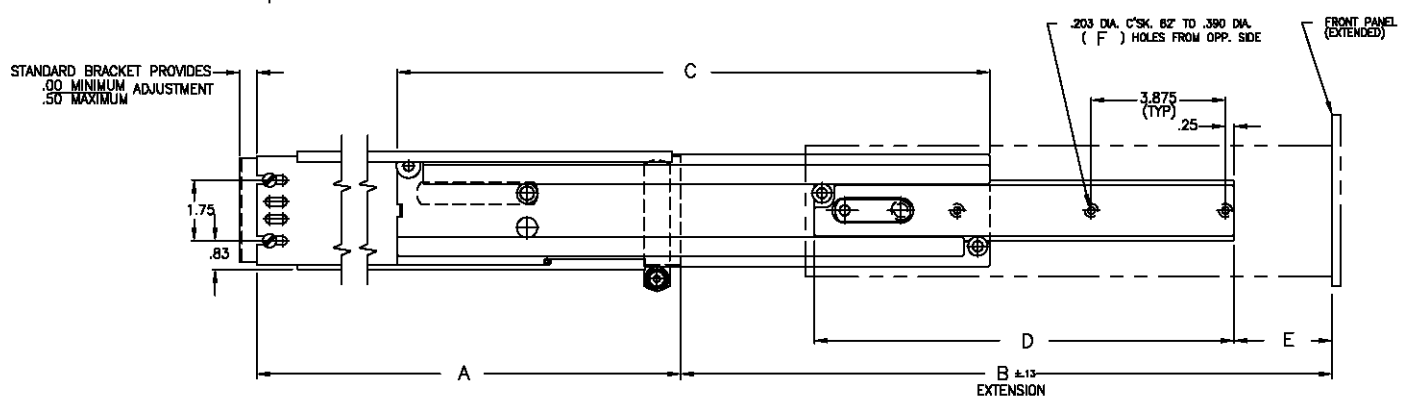
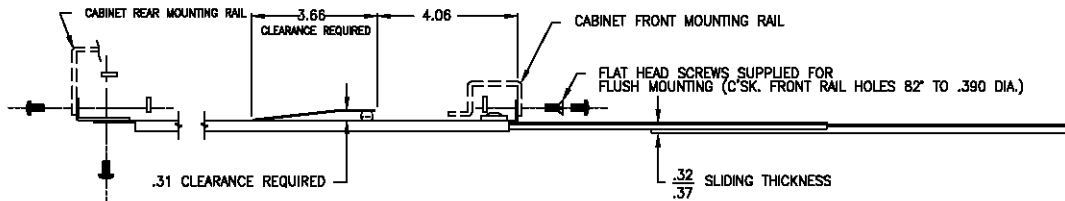
## Slide for Off-Set Leg Mounting Rail



Catalog Number	A	B (min)	B (max)	C	D	E (min)	E (max)	F	Load Capacity
CTS-SA-114	14.00	13.50	14.25	13.00	12.13	0.0	.75	4	175 LBS.
CTS-SA-116	16.00	14.06	16.81	15.00	12.13	0.0	2.75	4	175 LBS.
CTS-SA-118	18.00	18.81	19.69	17.00	16.00	0.0	.88	5	175 LBS.
CTS-SA-120	20.00	20.81	23.69	19.00	16.00	0.0	2.88	5	175 LBS.
CTS-SA-122	22.00	23.31	27.69	21.00	16.00	.50	4.88	5	175 LBS.
CTS-SA-124	24.00	25.31	30.69	23.00	16.00	1.50	6.88	5	175 LBS.

**TO ORDER, SPECIFY**  
**CTS-SA** - [ ] - [ ]

Stationary Section  
 1 - Cabinet Mount      Length      AR - Automatic Release if desired  
 4 - Closed Slot



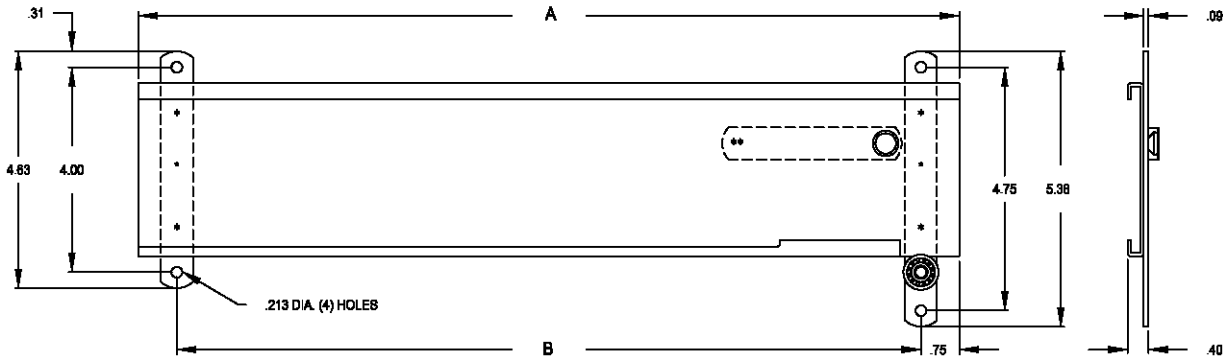
**TO ORDER, SPECIFY**  
**CTRS-SA** - [ ] - [ ]

Stationary Section  
 1 - Cabinet Mount      Length      AR - Automatic Release if desired  
 4 - Closed Slot

Catalog Number	A	B (min)	B (max)	C	D	E (min)	E (max)	F	Load Capacity
CTRS-SA-114	14.00	13.50	14.25	13.00	12.13	0.0	.75	4	175 LBS.
CTRS-SA-116	16.00	14.06	16.81	15.00	12.13	0.0	2.75	4	175 LBS.
CTRS-SA-118	18.00	18.81	19.69	17.00	16.00	0.0	.88	5	175 LBS.
CTRS-SA-120	20.00	20.81	23.69	19.00	16.00	0.0	2.88	5	175 LBS.
CTRS-SA-122	22.00	23.31	27.69	21.00	16.00	.50	4.88	5	175 LBS.
CTRS-SA-124	24.00	25.31	30.69	23.00	16.00	1.50	6.88	5	175 LBS.

# Strap Mounting Option

## CTRS Strap Mount

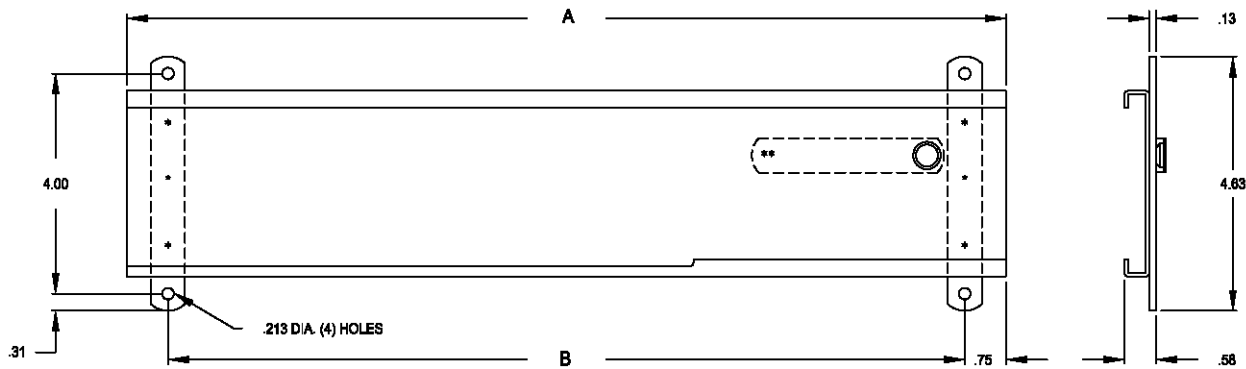


A	B
12.00	10.50
14.00	12.50
16.00	14.50
18.00	16.50
20.00	18.50
22.00	20.50
24.00	22.50

### Notes

1. To order, specify **CTRS-2XX** see pages 20-21 for more information.
2. Strap mount slides are not designed to accommodate the standard EIA hole pattern.
3. All slides requires a .31" clearance behind the spring and button assembly for proper operation.

## CTHS Strap Mount

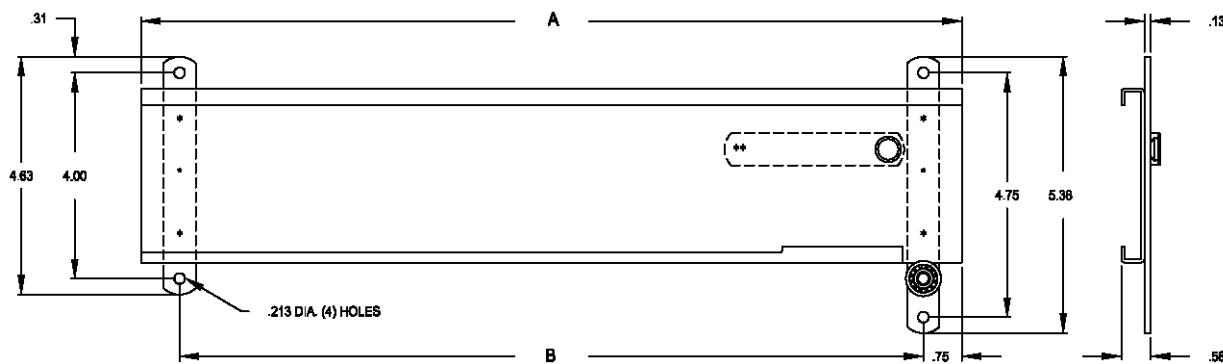


A	B
12.00	10.50
14.00	12.50
16.00	14.50
18.00	16.50
20.00	18.50
22.00	20.50
24.00	22.50

### Notes

1. To order, specify **CTHS-2XX** see pages 22-23 for more information.
2. Strap mount slides are not designed to accommodate the standard EIA hole pattern.
3. All slides requires a .31" clearance behind the spring and button assembly for proper operation.

## CTHRS Strap Mount



A	B
12.00	10.50
14.00	12.50
16.00	14.50
18.00	16.50
20.00	18.50
22.00	20.50
24.00	22.50

### Notes

1. To order, specify **CTHRS-2XX** see pages 24-25 for more information.
2. Strap mount slides are not designed to accommodate the standard EIA hole pattern.
3. All slides requires a .31" clearance behind the spring and button assembly for proper operation.

# Optional Mounting Brackets



Matrix For Solid Bearing Slides & Appropriate Rear Mounting Brackets with Range of Extension										
	B-131*	B-131-2	B-131-2.5	B-131-3	B-131-3.5	B-131-4	B-307-1 B-814-1	B-307-2 B-814-2	B-810-1	B-810-2
C-230-D	0 to .50	.44 to 1.06	.94 to 1.56	1.44 to 2.06	1.94 to 2.56	2.44 to 3.06	0 to 4.00	0 to 8.00		
C-230-S	0 to .50	.44 to 1.06	.94 to 1.56	1.44 to 2.06	1.94 to 2.56	2.44 to 3.06	0 to 4.00	0 to 8.00		
CTD	0 to .50	.44 to 1.06	.94 to 1.56	1.44 to 2.06	1.94 to 2.56	2.44 to 3.06	0 to 4.00	0 to 8.00		
CTS	0 to .50	.44 to 1.06	.94 to 1.56	1.44 to 2.06	1.94 to 2.56	2.44 to 3.06	0 to 4.00	0 to 8.00		
CTR D	0 to .50	.44 to 1.06	.94 to 1.56	1.44 to 2.06	1.94 to 2.56	2.44 to 3.06	0 to 4.00	0 to 8.00		
CTR S	0 to .50	.44 to 1.06	.94 to 1.56	1.44 to 2.06	1.94 to 2.56	2.44 to 3.06	0 to 4.00	0 to 8.00		
CTHD	0 to .50	.44 to 1.06	.94 to 1.56	1.44 to 2.06	1.94 to 2.56	2.44 to 3.06			0 to 4.00	0 to 8.00
CTHS	0 to .50	.44 to 1.06	.94 to 1.56	1.44 to 2.06	1.94 to 2.56	2.44 to 3.06			0 to 4.00	0 to 8.00
CTHR D	0 to .50	.44 to 1.06	.94 to 1.56	1.44 to 2.06	1.94 to 2.56	2.44 to 3.06			0 to 4.00	0 to 8.00
CTHR S	0 to .50	.44 to 1.06	.94 to 1.56	1.44 to 2.06	1.94 to 2.56	2.44 to 3.06			0 to 4.00	0 to 8.00
C-857	0 to .50	.44 to 1.06	.94 to 1.56	1.44 to 2.06	1.94 to 2.56	2.44 to 3.06				

Note brackets are made from 16 gauge C.R.S. — Standard finish: clear zinc commercial plating

\*Supplied with standard slides

CATALOG NUMBER	A
B-131	1.56
B-131-2	2.00
B-131-2.5	2.50
B-131-3	3.00
B-131-3.5	3.50
B-131-4	4.00

CATALOG NUMBER	A	B	C
B-307-1 / B-810-1 / B-814-1	5.94	4.38	16
B-307-2 / B-810-2 / B-814-2	9.69	8.13	28

## **X-ON Electronics**

Largest Supplier of Electrical and Electronic Components

*Click to view similar products for [General Devices](#) manufacturer:*

Other Similar products are found below :

[C-300-S-116](#) [CLB-305-20](#) [CTRS-112](#) [CTRS-124](#) [CM5](#) [CTHS-124](#) [C-300-S-112](#) [CLB-203-20](#) [C-874-22](#) [C-938-28-LI/LO](#) [C-874-28](#) [C-4017](#)  
[PCA-8](#) [B-217](#) [CM14](#) [D-4455](#) [B-810-2](#) [C-938-12](#) [PCA-17](#) [D-4080-1](#) [C-230-S-124](#) [C-938-20-LI-LO](#) [CLB-203-28](#) [B-307-1](#) [CLB-203-22](#) [C-](#)  
[230-S-116](#) [CLB-203-24](#) [CM3](#) [CTS-122](#) [B-217-2.5](#) [C-230-S-122](#) [C-300-S-128](#) [CTS-120](#) [D-4456](#) [C-300-S-210](#) [B-793](#) [C-300-S-424](#) [C-300-](#)  
[S-118-RC](#) [C-300-S-126-RC](#) [C-300-S-122-RC-3S](#) [B-131-3.5](#) [B-217-2](#) [C-300-S-120-RC-3S](#) [C-300-S-424-RC-3S](#) [C-3700-18](#) [C-300-S-422](#) [C-](#)  
[300-S-120-RC](#) [CTS-124](#) [C-300-S-420](#) [B-307-2](#)