

# SPLIT-CORE CURRENT TRANSFORMERS CLIP-TOGETHER RANGE

# HOBUT

## DESCRIPTION

Split-core transformer, with a unique clip-together feature. Supplied in a moulded case with 1 metre flying leads. Suitable for primary ranges up to 800A with 5A secondary.

## APPLICATION

For installation into existing networks without disconnecting cable circuits. The fast action clip function ensures a high speed permanent installation.



## SPECIFICATIONS

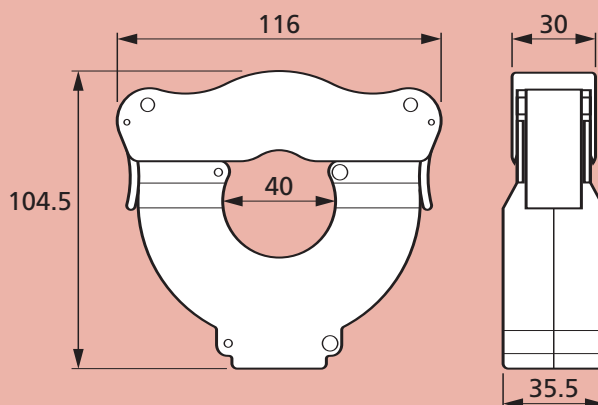
- Conforms to IEC 185, BS 7626, BSEN 60044-1 and IEC 60044-1.
- Rated system voltage 0.72/3kV.
- Ambient temperature range -30°C to 80°C.
- Frequency range 50-60Hz.
- Insulation level 3kV for 1 minute.
- Continuous current, 1.2 x rated current.
- Enclosure flame retardancy UL94V0.



## RANGE

Primary Current	VA	CLASS
100A	1 (2.5)	1 (3)
150A	1.5 (2.5)	1 (3)
200A	2.5	1
250A	2.5	1
300A	2.5	1
400A	5	1
500A	5	1
600A	5	1
800A	5	1

## DIMENSIONS (mm)



Our policy is one of continuous development and therefore specifications may change without notice.

## HOWARD BUTLER LTD

CROWN WORKS, LINCOLN ROAD  
WALSALL WS1 2EB ENGLAND

Tel: 01922 640003 Fax: 01922 723626

International Tel: +44 1922 640003 E-mail: sales@hobut.co.uk

<http://www.hobut.co.uk>

## **X-ON Electronics**

Largest Supplier of Electrical and Electronic Components

*Click to view similar products for [Hobut manufacturer](#):*

Other Similar products are found below :

[M850-MP1](#) [CT132TRAN20A-5/10V](#) [CT160-5-F7](#) [SHB200A60-CLASS 1](#) [CT105F-200/5-2.5/1](#) [CT105F-150/5-2.5/1](#) [M850-LTHN-RS-PO](#)  
[SHB60A60-CLASS 1](#) [D48A5](#) [D72A30](#) [CT105F-100/5-2.5/1](#) [CT160-5-H7](#) [D72A10](#) [D48A25](#) [CT132TRAN50A-4/20MA](#) [D72M50](#) [13-5-F7](#)  
[D72V500](#) [D72D60ADC](#) [13-5-A1](#) [F3PAM602-15V](#) [F3PAM602-20A](#) [F3PAM-24V](#) [CT132TRAN20A-4/20MA](#) [F3PAM602-5A](#) [F3PAM602-10A](#) [TERMINAL BOOT](#) [CT132TRAN10A-4/20MA](#)