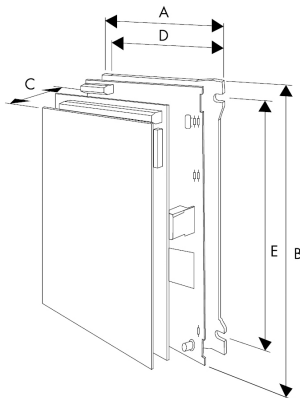


# 512C

Up to 32 Amps

Isolated control circuitry, a host of user facilities and extremely linear control loop make the 512C ideal for single motor or multi-drive low power applications. Designed for use on single phase supplies, the 512C is suitable for controlling permanent magnet or shunt wound DC motors in speed or torque control.



## Dimensions

Type	A	B	C	D	E	Weight (kg)
512C/040,080,160	160	240	85	148	210	1.5/1.6/1.6
512C/320	160	240	123	148	210	2.9

## Features

- Fully isolated control circuits
- 110V-415V AC supply selection
- CE marked and EMC compliant
- Multi Input speed and current setpoints
- Zero speed and drive healthy output
- Extremely linear control loops

## Technical Specification

**Power Supply:** 110-115V, or 220-240V or 380-415V  $\pm$  10% user selectable, single phase 50-60Hz  $\pm$  5%  
**Ambient:** 0-40°C, up to 1000m ASL without derating  
**Overload:** 150% for 60 seconds

## Features

### User Facilities

Link selection of AC supply voltage  
 Torque or speed control  
 3A DC field output  
 Power on, overcurrent and stall detect LEDs  
 MOV transient suppression  
 Buffered speed output (10V, 10mA)  
 Buffered current output (7.5V, 10mA)  
 Buffered ramp output (master/slave)  
 10V DC reference supply 10mA  
 Total setpoint off  
 Drive healthy output  
 Zero speed/zero setpoint output

### Potentiometer Adjustments

Maximum speed  
 Minimum speed  
 Current limit  
 Speed stability  
 Acceleration ramp (1-80 seconds)  
 Deceleration ramp (1-80 seconds)  
 IR compensation

## Product Details

Nominal Supply Voltage Vac	Armature Voltage Vdc	Field Voltage Vdc
110	90	100
240	180	210
415	320	360

Type	Armature Current
512C/040	4
512C/080	8
512C/160	16
512C/320	32

## Options

LA057605U012	512C/040	Single phase fuse kit
LA057605U016	512C/080	Single phase fuse kit
LA057605U032	512C/160	Single phase fuse kit
LA057605U050	512C/320	Single phase fuse kit
LA050063		Potentiometer kit

## Standards

- CE Marked to EN50178 (Safety, Low Voltage Directive).
- CE Marked to EN61800-3 (EMC Directive).
- UL listed to US standard
- cUL listed to Canadian safety standards



## Parker Hannifin Ltd SSD Drives Division

New Courtwick Lane, Littlehampton,  
 West Sussex BN17 7RZ United Kingdom  
 Tel: +44 (0) 1903 737 000 Fax: +44 (0) 1903 737 100  
 sales.uk.ssd@parker.com  
 www.parker.com www.ssddrives.com



## **X-ON Electronics**

Largest Supplier of Electrical and Electronic Components

*Click to view similar products for [parker ssd](#) manufacturer:*

Other Similar products are found below :

[Parker SSD](#)