

ISSUE 2; July 2016

Description

- Standard 1.6 x 1.2mm crystal oscillator in a ceramic package with a seam sealed metal lid, hermetically sealed

Frequency Parameters

- Frequency: 1.0MHz to 80.0MHz
- Frequency Stability: $\pm 30.00\text{ppm}$ to $\pm 100.00\text{ppm}$
- Ageing: $\pm 5\text{ppm}$

Electrical Parameters

- Supply Voltage: 3.3V $\pm 10\%$
- Standby Current: 10 μA max

Operating Temperature Ranges

- 20 to 70°C
- 40 to 85°C

Output Details

- Output Compatibility: CMOS
- Drive Capability: 15pF max

Output Control

- Logic '1' ($\geq 70\%V_S$) to pad 1 enables oscillator output
- Logic '0' ($\leq 30\%V_S$) to pad 1 disables oscillator output; when disabled the oscillator output goes to the high impedance state
- No connection to pad 1 enables oscillator output

Environmental Parameters

- Shock: IEC 60068-2-27: 1000G, 1ms, 3 times in each of 3 mutually perpendicular planes
- Vibration: IEC 60068-2-6: 1.5mm amplitude, 10Hz-55Hz, 1min in 3 mutually perpendicular planes, duration 2hrs each plane (total 6hrs)
- Storage Temperature Range: -40 to 85°C

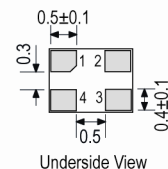
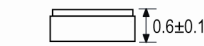
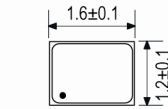
Ordering Information

- Frequency*
- Model*
- Output
- Frequency Stability*
- Operating Temperature Range*
- Supply Voltage
- (*minimum required)
- Example
- 10.0MHz IQXO-640
- CMOS $\pm 50\text{ppm}$ -20 to 70C 3.3V

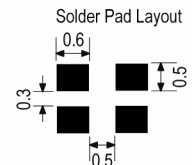
Compliance

- RoHS Status (2011/65/EU): Compliant
- REACH Status: Compliant
- MSL Rating (JDEC-STD-033): Not Applicable

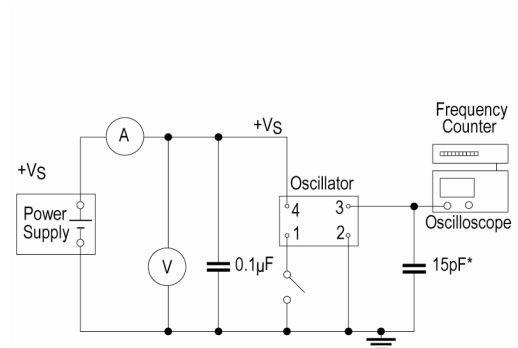
Outline (mm)



- Pad Connections
- Standby Operation
 - GND & Lid
 - Output
 - +V_S

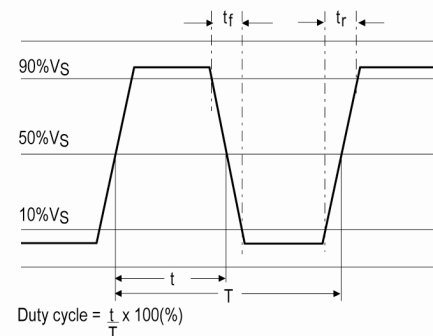


Test Circuit



* Inclusive of jigging and equipment capacitance

Wave Form



Sales Office Contact Details:

UK: +44 (0)1460 270200
Germany: 0800 1808 443

France: 0800 901 383
USA: +1.760.318.2824

Email: info@iqdfrequencyproducts.com
Web: www.iqdfrequencyproducts.com

Packaging Details

- Pack Style: Cutt Cut tape
Pack Size: 1
- Pack Style: Reel Tape & reel in accordance with EIA-481-D
Pack Size: 3,000
- Pack Style: Bulk Loose in bulk pack
Pack Size: 100

Electrical Specification - maximum limiting values 3.3V \pm 10%

| Frequency Min | Frequency Max | Temperature Range | Stability (Min) | Current Draw | Rise and Fall Time | Duty Cycle |
|---------------|---------------|-------------------|-----------------|--------------|--------------------|------------|
| | | °C | ppm | mA | ns | % |
| 1.0MHz | 20.0MHz | -20 to 70 | \pm 30.0 | 4 | 5 | 45/55% |
| | | -40 to 85 | \pm 50.0 | 4 | 5 | 45/55% |
| 20.000001MHz | 40.0MHz | -20 to 70 | \pm 30.0 | 6 | 5 | 45/55% |
| | | -40 to 85 | \pm 50.0 | 6 | 5 | 45/55% |
| 40.000001MHz | 60.0MHz | -20 to 70 | \pm 30.0 | 8 | 5 | 45/55% |
| | | -40 to 85 | \pm 50.0 | 8 | 5 | 45/55% |
| 60.000001MHz | 80.0MHz | -20 to 70 | \pm 30.0 | 10 | 5 | 45/55% |
| | | -40 to 85 | \pm 50.0 | 10 | 5 | 45/55% |

This document was correct at the time of printing; please contact your local sales office for the latest version.

[Click to view latest version on our website.](#)

Sales Office Contact Details:

UK: +44 (0)1460 270200
Germany: 0800 1808 443

France: 0800 901 383
USA: +1.760.318.2824

Email: info@iqdfrequencyproducts.com
Web: www.iqdfrequencyproducts.com

X-ON Electronics

Largest Supplier of Electrical and Electronic Components

Click to view similar products for [iqd manufacturer](#):

Other Similar products are found below :

[LFXTAL071761CUTT](#) [LFMCXO063767BULK](#) [LFMCXO063773BULK](#) [LFOCXO063802BULK](#) [LFOCXO063809BULK](#)
[LFTCXO063709BULK](#) [LFTCXO063710BULK](#) [LFTCXO063779BULK](#) [LFTCXO070028Cutt](#) [LFTVXO063701BULK](#)
[LFTVXO063702BULK](#) [LFTVXO063703BULK](#) [LFTVXO063707BULK](#) [LFTVXO063791BULK](#) [LFXTAL003156](#) [LFMCXO063766BULK](#)
[LFMCXO063771BULK](#) [LFOCXO063816BULK](#) [LFTCXO063713BULK](#) [LFTCXO063714BULK](#) [LFTCXO063716BULK](#)
[LFTVXO063704BULK](#) [LFTVXO063705BULK](#) [LFTVXO063706BULK](#) [LFTVXO063789BULK](#) [LFTVXO063790BULK](#) [LFXTAL003113](#)
[LFOCXO063809](#) [LFSPXO009581](#) [LFTCXO063784](#) [LFTVXO063786](#) [LFSPXO009686Bulk](#) [LFRBXO059244Bulk](#) [LFTVXO075802Cutt](#)
[LFOCXO067293Bulk](#) [LFTCXO075792Cutt](#) [LFMCXO064079BULK](#) [LFSPXO071189](#) [LFOCXO067293](#) [LFXTAL012312BULK](#)
[LFTCXO063780BULK](#) [LFSPXO056269CUTT](#) [LFOCXO063803BULK](#) [LFSPXO009592CUTT](#) [LFOCXO065520Bulk](#) [LFMISC070550Bulk](#)
[LFSPXO025494Cutt](#) [LFMCXO064080BULK](#) [LFOCXO063804BULK](#) [LFSPXO019884BULK](#)