



T&B Sta-Kon®



CATALOG NUMBER	WIRE SIZE	BOLT HOLE	LENGTH	WIDTH	MAXIMUM INSULATION
RDV167	8 AWG	#8	1.36	.42	.340
RDV367	8 AWG	#10	1.36	.42	.340
RDV717	8 AWG	1/4"	1.42	.46	.340
RDV727	8 AWG	5/16"	1.51	.57	.340
RDV737	8 AWG	3/8"	1.51	.57	.340
RDV757*	8 AWG	1/2"	1.67	Ø .82	.340
REV267	6 AWG	#10	1.48	.45	.390
REV717	6 AWG	1/4"	1.48	.49	.390
REV727	6 AWG	5/16"	1.59	.61	.390
REV737	6 AWG	3/8"	1.59	.61	.390
REV757*	6 AWG	1/2"	1.66	Ø .82	.390

ALL DIMENSIONS ARE APPROXIMATE, FOR REFERENCE ONLY.

MATERIAL:

TERMINAL - COPPER
INSULATOR - VINYL

FINISH:

TERMINAL - TIN PLATED

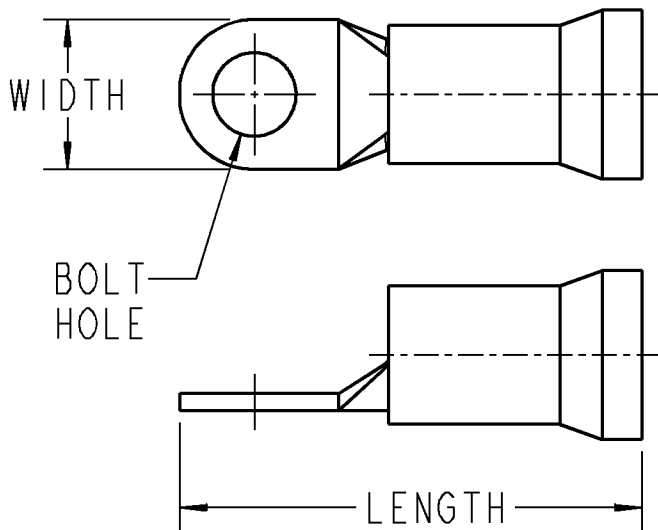
RATINGS:

TEMPERATURE - 105°C
VOLTAGE - 600V
FLAMMABILITY - UL94V0

INSTALLATION TOOLS:

ERG2007
TBM6 (11822 DIE)
25000 (11822 DIE)

* BRAZED SEAM, CIRCULAR TONGUE (USE 11823 DIE)



GENERAL NOTES

1. ALL DIMENSIONS ARE FOR REFERENCE ONLY.
2. DIMENSIONS IN BRACKETS [] ARE IN METRIC UNITS.

REVISIONS

- | | |
|---|-----------------------------------------------------------------------------------|
| 1 | SEE ERN (2006947) FOR APPROVAL SIGNATURES & RELEASE DATE.
PROJECT NO: TM401330 |
|---|-----------------------------------------------------------------------------------|

Thomas & Betts
www.tnb.com

DESCRIPTION: **#8 & #6 VINYL EXPANDED INSULATION TERMINALS**

ORIGINAL PROJECT NO / (ERN NO)	SHEET NO:	REV. NO:	DRAWING NO:
TM401323 / (2005852)	1 OF 1	1	WSD-000192

X-ON Electronics

Largest Supplier of Electrical and Electronic Components

Click to view similar products for [abb manufacturer](#):

Other Similar products are found below :

[TV10-516R](#) [017667013](#) [RF727](#) [2CMA100178R1000](#) [5SDD 92Z0401](#) [ESV14-BS](#) [EZS-21-250](#) [F204AC-40/0.03](#) [F204AC-40/0.1](#) [F362-25/0.03](#) [GJL1211001R0011](#) [GJL1211201R8000](#) [GJL1211501R8000](#) [GJL1213001R0017](#) [GJL1213001R0101](#) [GJL1311001R0101](#) [GJL1311001R8010](#) [GJL1311201R0001](#) [GJL1313001R0011](#) [GJL1313001R0101](#) [GJL1317201R0001](#) [AF09-30-01-11](#) [AF460-30-11-68](#) [1455](#) [EF45-30](#) [ERG297](#) [HSC2-20](#) [1SAM201904R1001](#) [1SAM350000R1003](#) [1SAZ721201R1009](#) [1SAZ721201R1014](#) [1SAZ721201R1025](#) [1SFA611101R1002](#) [1SFA611130R1103](#) [1SFA611131R1101](#) [1SFA611143R1101](#) [1SFA611202R1108](#) [1SFA611203R1108](#) [1SFA611215R1001](#) [1SFA611216R1108](#) [1SFA611285R1002](#) [1SFA611702R6006](#) [1SFA616162R1025](#) [1SFA619100R3015](#) [1SVR730020R0200](#) [IPC4111](#) [OS30FACC12](#) [OS60GJ03](#) [OVR1N160277PS](#) [OXC1L48](#)