



Description

- Leaded crystal
 - Suitable for real time clock applications
 - Press sealed metal can
- Leaded crystal in a press sealed metal can 3 x 8mm
- Model WATCH-3X8
- Model Issue number 12

Frequency Parameters

- Frequency 32.7680kHz
- Frequency Tolerance @ 25°C ±15.00ppm
- Operating Temperature Range -10.00 to 60.00 °C
- Overtone Order Fundamental
- Ageing ±5ppm max per year

Electrical Parameters

- Load Capacitance (CL) 12.50pF
- Shunt Capacitance (Co) 1.6pF typical
- Drive Level 1.0µW max
- ESR 50kΩ max

Environmental Parameters

- Storage Temperature Range: -40 to 85°C
- Operable Temperature Range: -10 to 60
- Drop: 75cm drop (3 times) onto hard wooden board

Compliance

- RoHS Status Compliant
- REACH Status Compliant

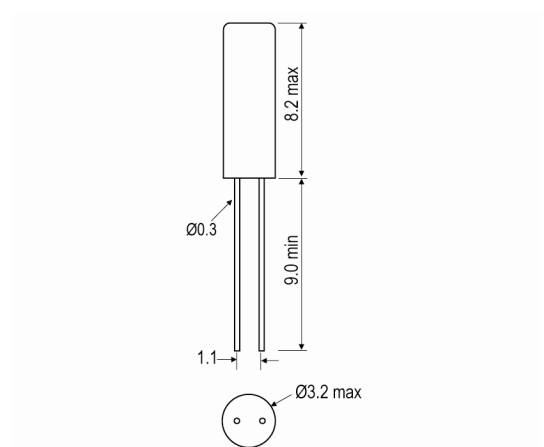
Packaging

- Pack Type: Bulk Loose in bulk pack
- Pack Size 1,000
- Alternative packing option available

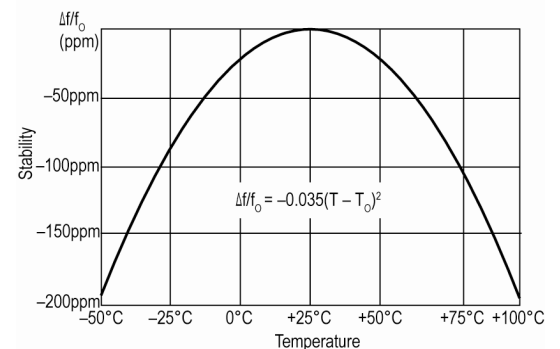
This document is correct at the time of printing; please contact your local office for the latest version.



Outline (mm)



Typical Frequency Stability Characteristics



Sales Office Contact Details:

UK: +44 (0)1460 270200
Germany: +49 (0)7264 9145-0

France: +33 (0)5 34 50 91 18
USA: +1 (0) 408 455 2426

Email: info@iqdfrequencyproducts.com
Web: www.iqdfrequencyproducts.com

X-ON Electronics

Largest Supplier of Electrical and Electronic Components

Click to view similar products for [iqd manufacturer](#):

Other Similar products are found below :

[LFXTAL071761CUTT](#) [LPMC XO063767BULK](#) [LPMC XO063773BULK](#) [LFOCXO063802BULK](#) [LFOCXO063809BULK](#)
[LFTCXO063709BULK](#) [LFTCXO063710BULK](#) [LFTCXO063779BULK](#) [LFTCXO070028Cutt](#) [LFTVXO063701BULK](#)
[LFTVXO063702BULK](#) [LFTVXO063703BULK](#) [LFTVXO063707BULK](#) [LFTVXO063791BULK](#) [LF XTAL003156](#) [LPMC XO063766BULK](#)
[LPMC XO063771BULK](#) [LFOCXO063816BULK](#) [LFTCXO063713BULK](#) [LFTCXO063714BULK](#) [LFTCXO063716BULK](#)
[LFTVXO063704BULK](#) [LFTVXO063705BULK](#) [LFTVXO063706BULK](#) [LFTVXO063789BULK](#) [LFTVXO063790BULK](#) [LF XTAL003113](#)
[LFOCXO063809](#) [LFSPXO009581](#) [LFTCXO063784](#) [LFTVXO063786](#) [LFSPXO009686Bulk](#) [LFRBXO059244Bulk](#) [LFTVXO075802Cutt](#)
[LFOCXO067293Bulk](#) [LFTCXO075792Cutt](#) [LPMC XO064079BULK](#) [LFSPXO071189](#) [LFOCXO067293](#) [LFXTAL012312BULK](#)
[LFTCXO063780BULK](#) [LFSPXO056269CUTT](#) [LFOCXO063803BULK](#) [LFSPXO009592CUTT](#) [LFOCXO065520Bulk](#) [LFMISC070550Bulk](#)
[LFSPXO025494Cutt](#) [LPMC XO064080BULK](#) [LFOCXO063804BULK](#) [LFSPXO019884BULK](#)